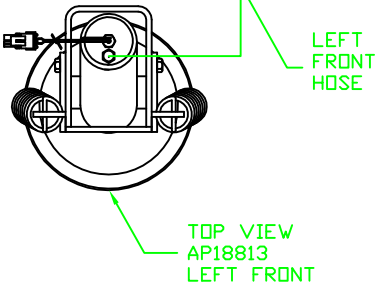
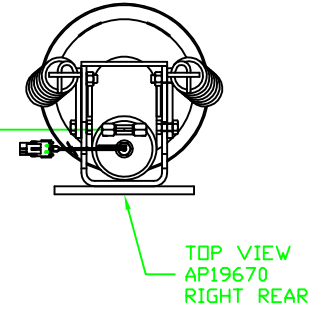
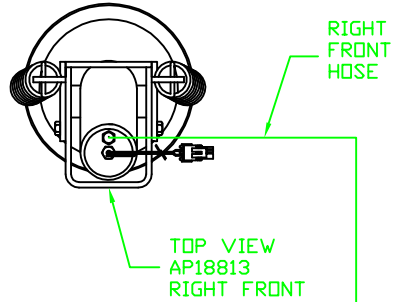
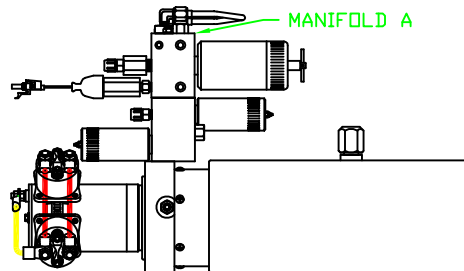
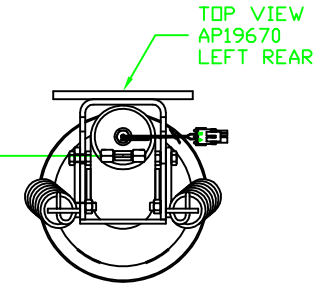
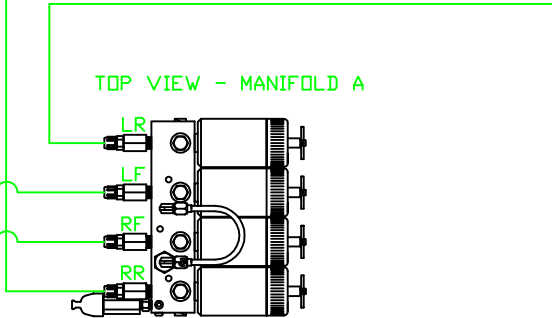


ORIENTATION
← FRONT

MODEL	HOSE KIT	LF HOSE	RF HOSE	RR HOSE	LR HOSE
P34B	AP18572	AP7358	AP6601	AP4061	AP4310
P36G	AP18572	AP7358	AP6601	AP4061	AP4310
P36L	AP18572	AP7358	AP6601	AP4061	AP4310
P36CD	AP18572	AP7358	AP6601	AP4061	AP4310



NOTE: CROSS TIES REQUIRED FOR FRONT AND REAR JACKS

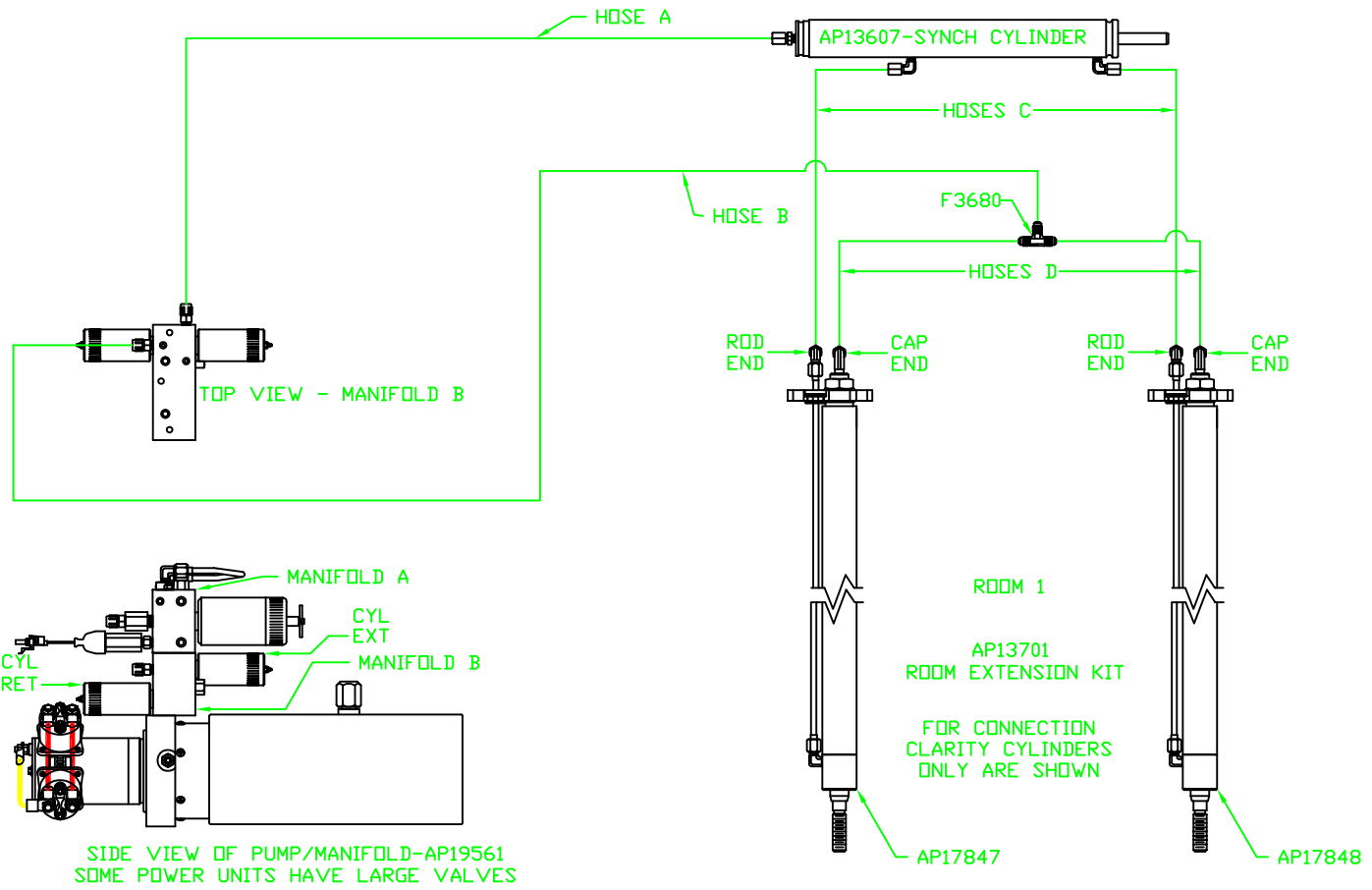


LEVELING SYSTEM: AP19660

		HWH		I-80 EXIT 267 SOUTH RT 1 MOSCOW, IOWA 52760	
		SCALE 1:6	DATE 16AUG05	DRAWN BY .	
HYD CONN DIAGRAM					
				DRAWING NUMBER	
				MP69037 A/D	
NO.	DATE	REVISION			
<p>THE INFORMATION DISCLOSED ON THIS DRAWING IS CONFIDENTIAL AND MUST NOT BE DISCLOSED OR USED IN ANY MANNER WHICH WILL BE DETRIMENTAL TO THE HWH CORPORATION</p>					
WINNEBAGO					

ORIENTATION
 ← FRONT

MODEL	HOSE A	HOSE B	HOSES C	HOSES D
P34B	AP7832	AP1412	AP24642	AP5384
P36G	SEE MP69037 C			
P36L	AP7832	AP1412	AP24642	AP5384
P36CD	SEE MP69037 D			

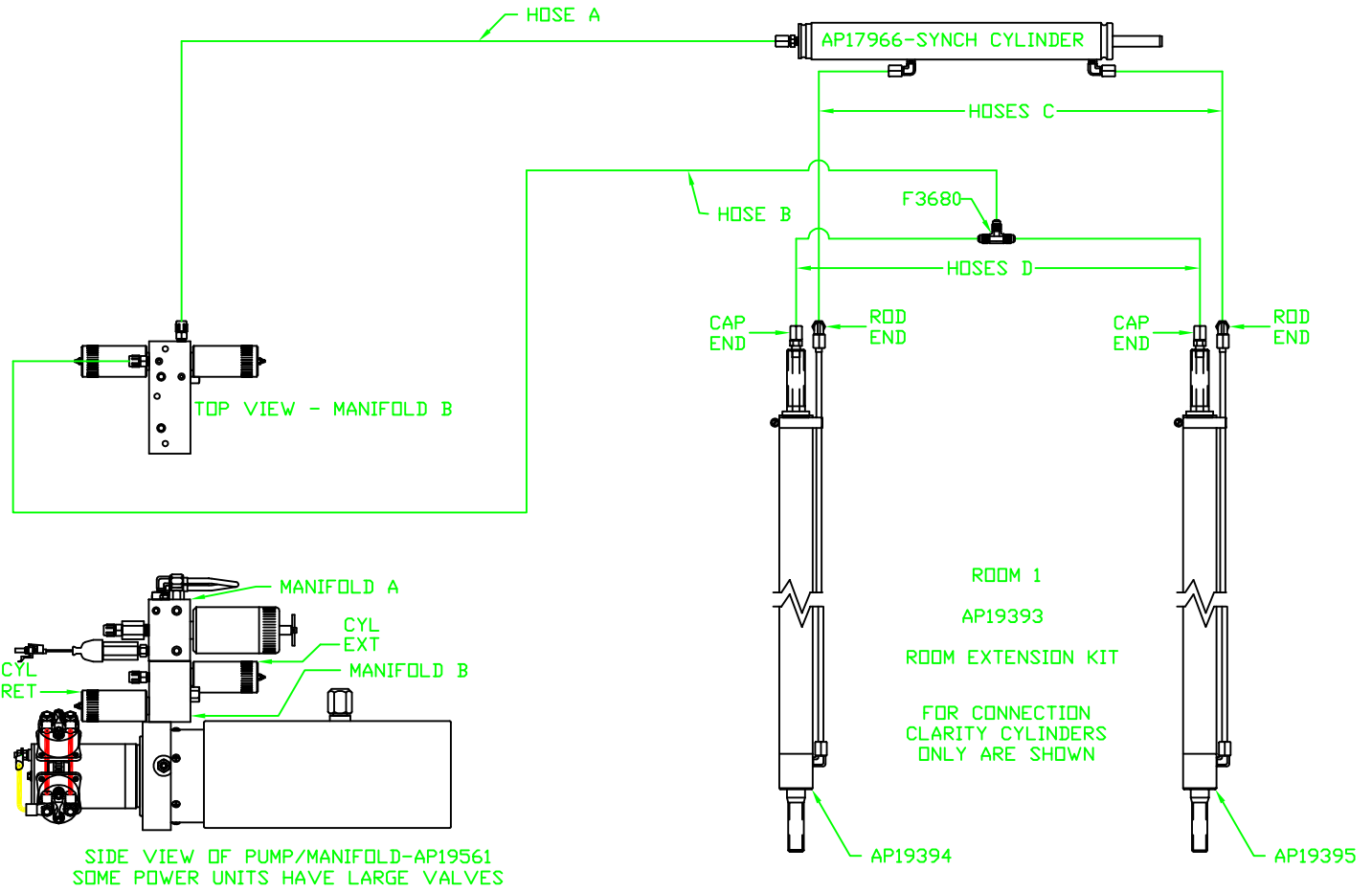


NOTE: HOSES C MUST BE HIGH PRESSURE HOSES OF EQUAL LENGTH AND DIAMETER

NOTE: HOSES D MUST BE EQUAL LENGTH AND DIAMETER

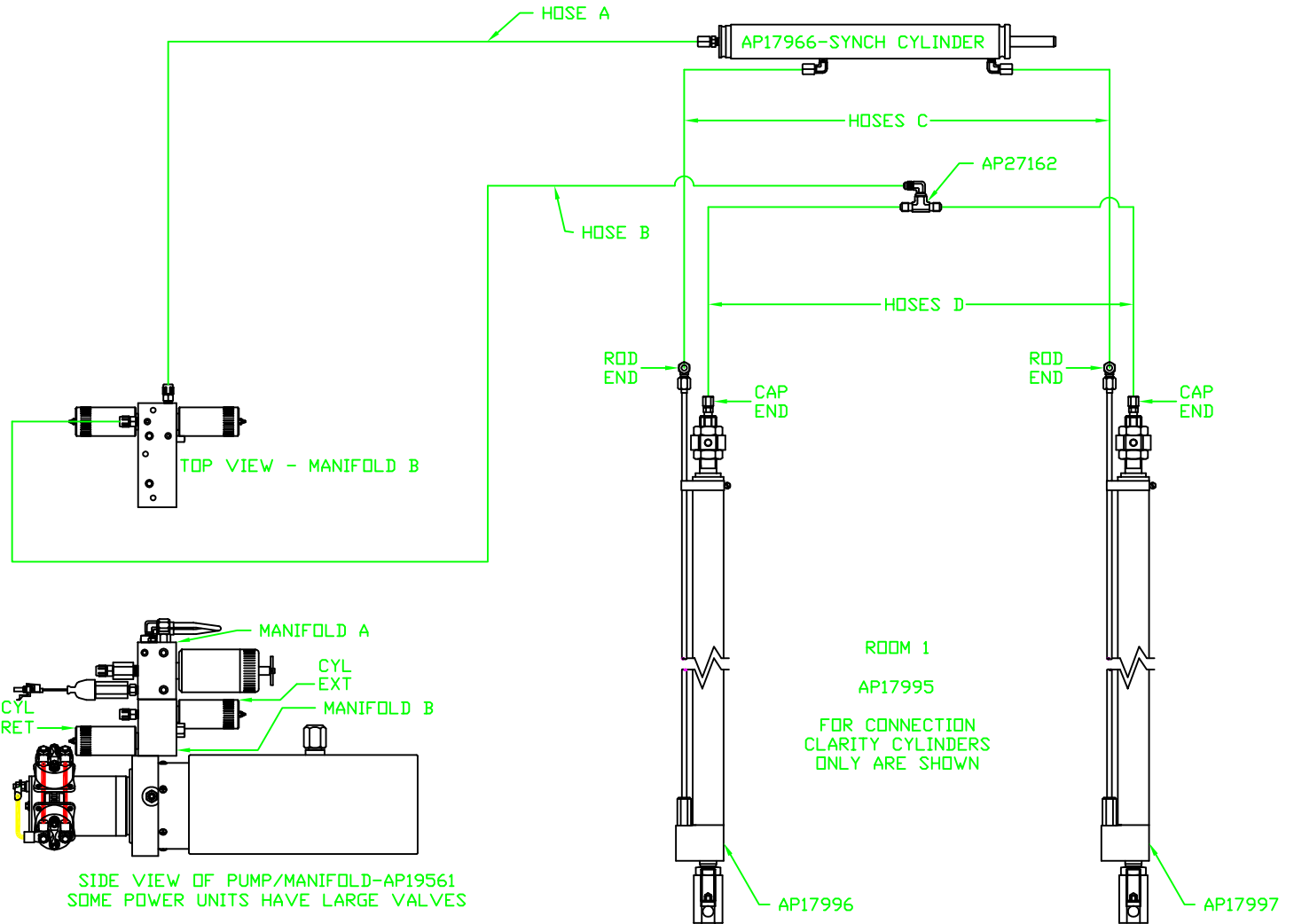
ORIENTATION
 ← FRONT

MODEL	HOSE A	HOSE B	HOSES C	HOSES D
P34B	SEE MP69037 B			
P36G	AP7832	AP1412	AP24642	AP5384
P36L	SEE MP69037 B			
P36CD	SEE MP69037 D			



ORIENTATION
 ← FRONT

MODEL	HOSE A	HOSE B	HOSES C	HOSES D
P34B	SEE MP69037 B			
P36G	SEE MP69037 C			
P36L	SEE MP69037 B			
P36CD	AP7832	AP1412	AP24649	AP4906



NOTE: HOSES C MUST BE HIGH PRESSURE HOSES OF EQUAL LENGTH AND DIAMETER

NOTE: HOSES D MUST BE EQUAL LENGTH AND DIAMETER