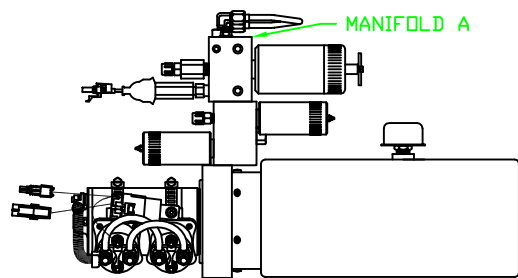
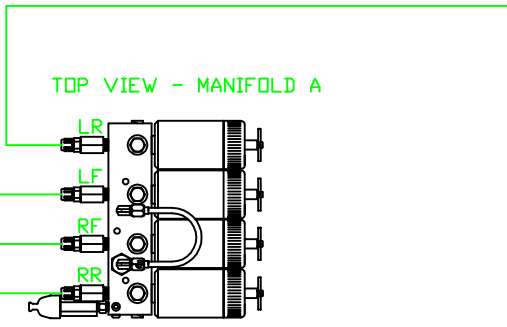
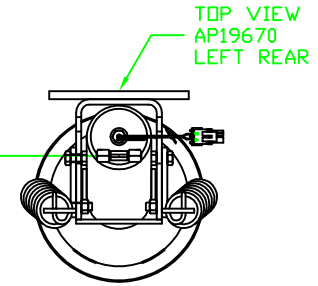
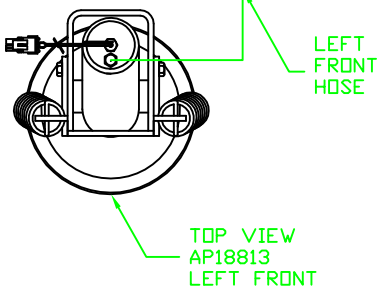
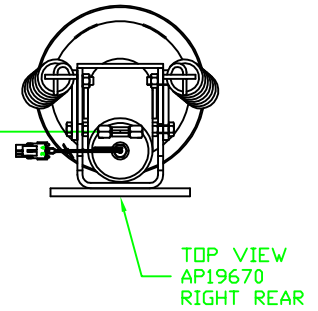
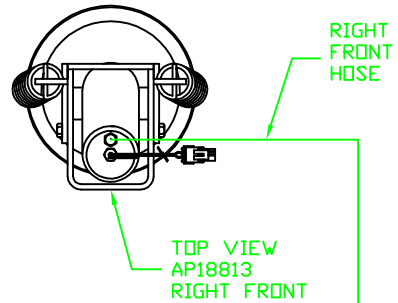


ORIENTATION
← FRONT

MODEL	HOSE KIT	LF HOSE	RF HOSE	RR HOSE	LR HOSE
P32T	AP18572	AP7358	AP6601	AP4061	AP4310
P34BD	AP18572	AP7358	AP6601	AP4061	AP4310
P36LD	AP18572	AP7358	AP6601	AP4061	AP4310
P36CD	AP18572	AP7358	AP6601	AP4061	AP4310



SIDE VIEW OF PUMP/MANIFOLD-AP19515
SOME POWER UNITS HAVE LARGE VALVES

NOTE: CROSS TIES REQUIRED FOR FRONT AND REAR JACKS

LEVELING SYSTEM: AP19513

		HWH		I-80 EXIT 267 SOUTH RT 1 MOSCOW, IOWA 52760	
		SCALE 1:6	DATE 16AUG05	DRAWN BY .	
HYD CONN DIAGRAM					
NO.		DATE		REVISION	
THE INFORMATION DISCLOSED ON THIS DRAWING IS CONFIDENTIAL AND MUST NOT BE DISCLOSED OR USED IN ANY MANNER WHICH WILL BE DETRIMENTAL TO THE HWH CORPORATION					
WINNEBAGO				DRAWING NUMBER MP69038 A/D	

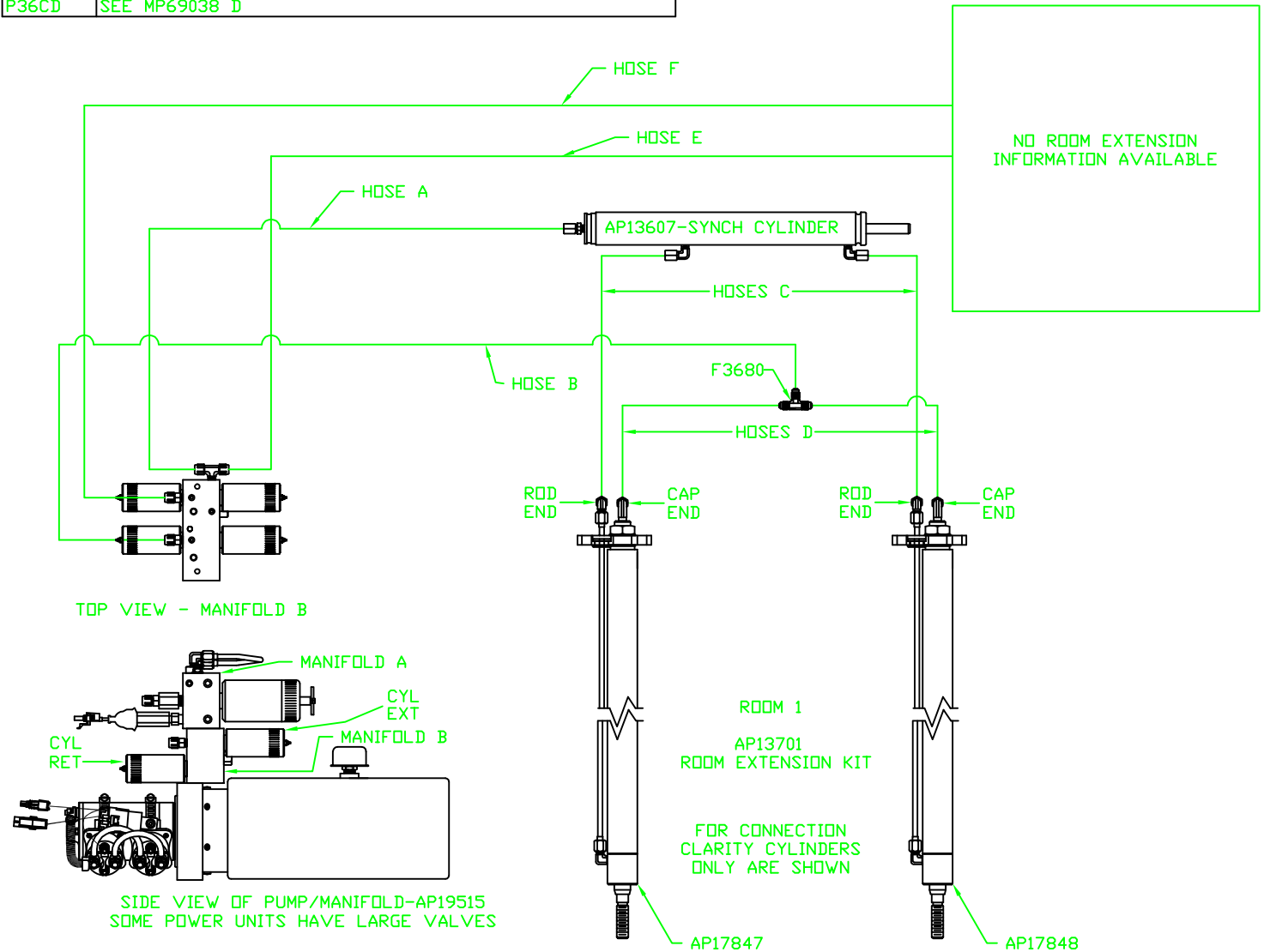
ORIENTATION

← FRONT

NOTE: HOSES C MUST BE HIGH PRESSURE HOSES OF EQUAL LENGTH AND DIAMETER

NOTE: HOSES D MUST BE EQUAL LENGTH AND DIAMETER

MODEL	HOSE A	HOSE B	HOSES C	HOSES D	HOSE E	HOSE F
P32T	AP4073	AP1412	AP24642	AP5384	AP21545	AP21544
P34BD	SEE MP69038 C					
P36LD	SEE MP69038 C					
P36CD	SEE MP69038 D					



ORIENTATION

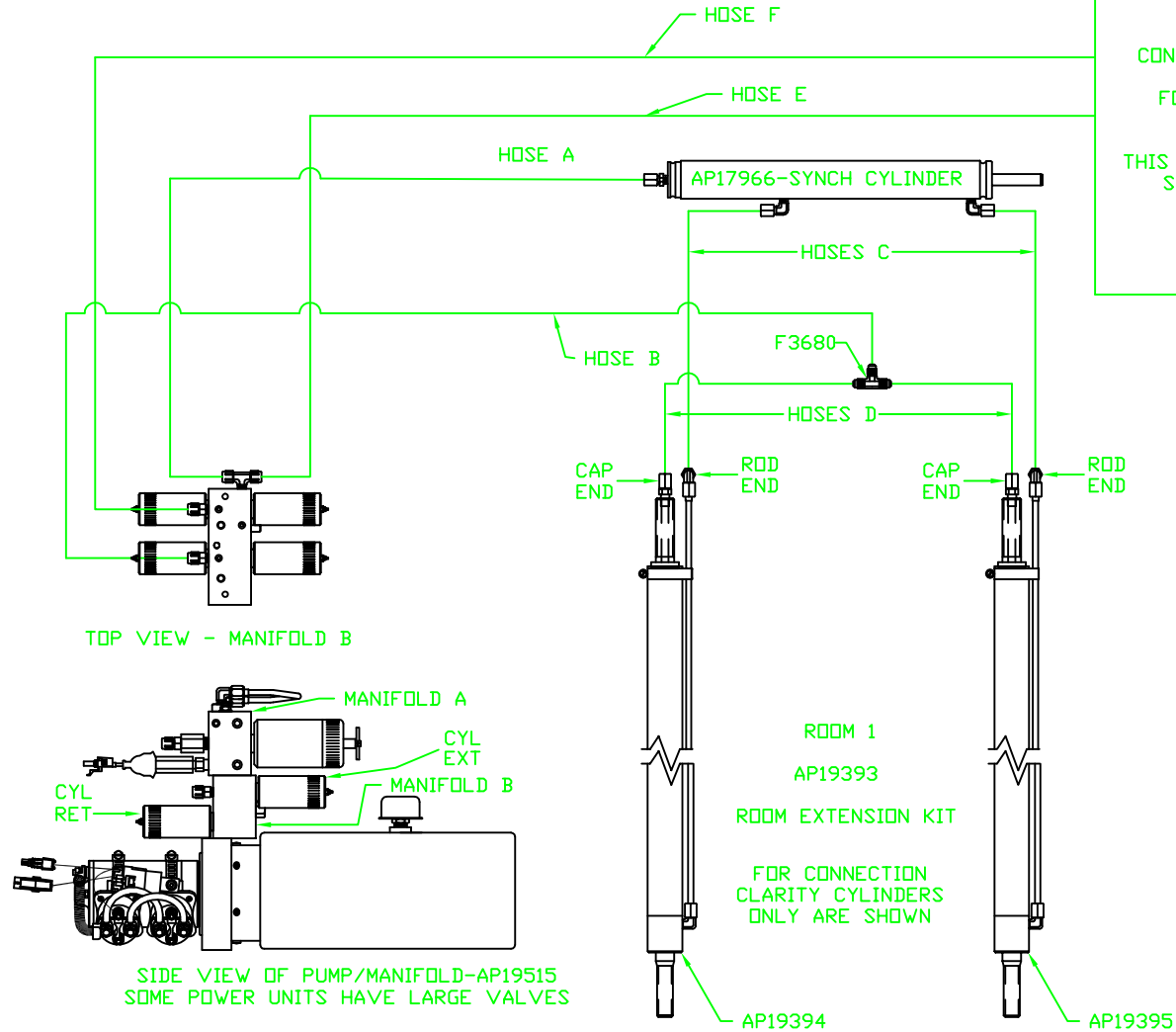
← FRONT

NOTE: HOSES C MUST BE HIGH PRESSURE HOSES OF EQUAL LENGTH AND DIAMETER

NOTE: HOSES D MUST BE EQUAL LENGTH AND DIAMETER

MODEL	HOSE A	HOSE B	HOSES C	HOSES D	HOSE E	HOSE F
P32T	SEE MP69038 B					
P34BD	AP7832	AP1412	AP24642	AP5384	*AP21545	*AP21544
P36LD	AP7832	AP1412	AP24642	AP5384	*AP21545	*AP21544
P36CD	SEE MP69038 D					

*AP2464 AND AP8985 USED ON 2000 PRODUCTION COACHES



SEE MP69122 FOR CONNECTION INFORMATION FOR AP20788 FOUR CYLINDER ROOM EXTENSION. THIS ROOM IS ON THE LEFT SIDE OF THE COACH.

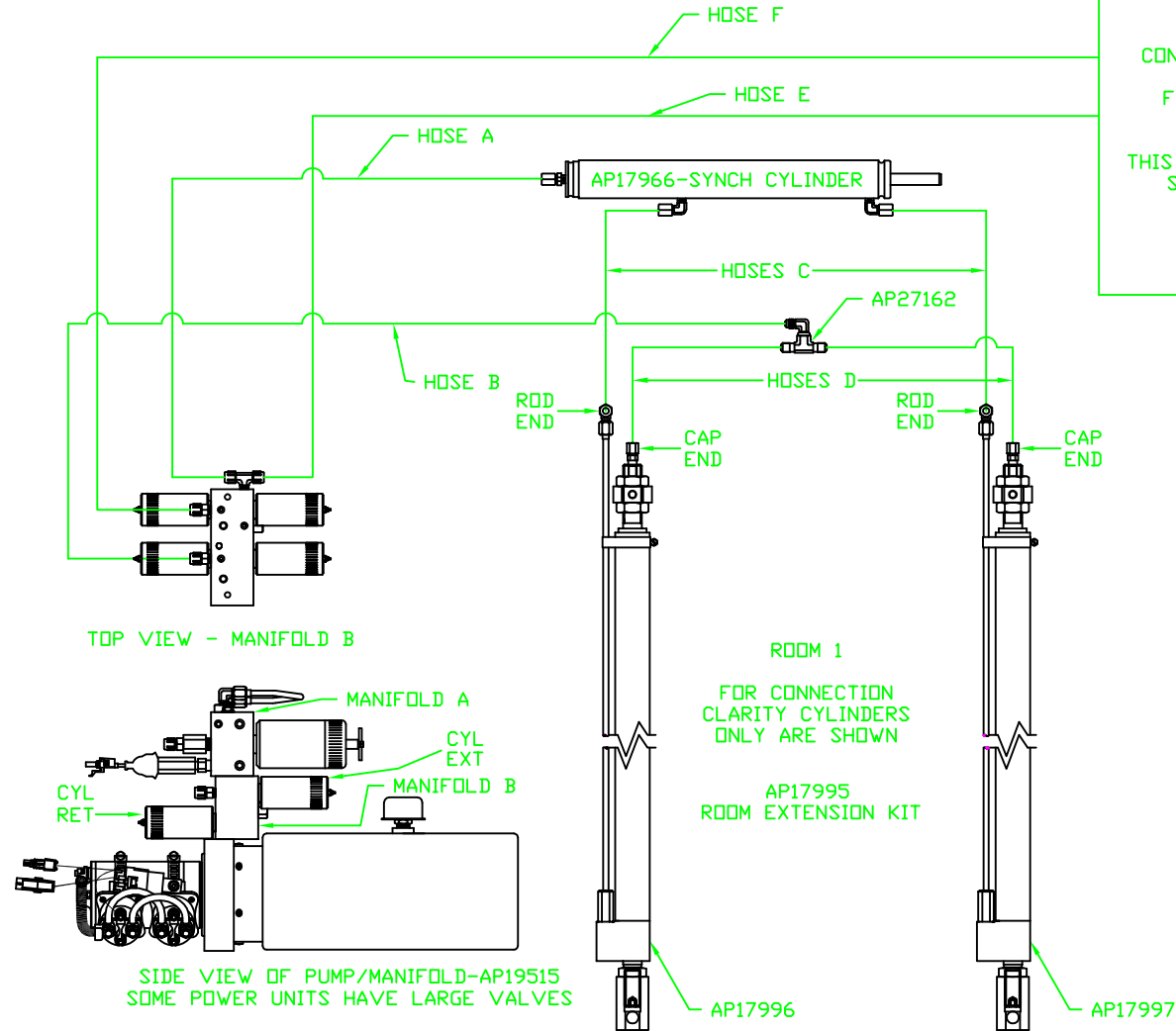
ORIENTATION

← FRONT

NOTE: HOSES C MUST BE HIGH PRESSURE HOSES OF EQUAL LENGTH AND DIAMETER

NOTE: HOSES D MUST BE EQUAL LENGTH AND DIAMETER

MODEL	HOSE A	HOSE B	HOSES C	HOSES D	HOSE E	HOSE F
P32T	SEE MP69038 B					
P34BD	SEE MP69038 C					
P36LD	SEE MP69038 C					
P36CD	AP7832	AP1412	AP24649	AP4906	AP21545	AP21544



SEE MP69122 FOR CONNECTION INFORMATION FOR AP20788 FOUR CYLINDER ROOM EXTENSION. THIS ROOM IS ON THE LEFT SIDE OF THE COACH.