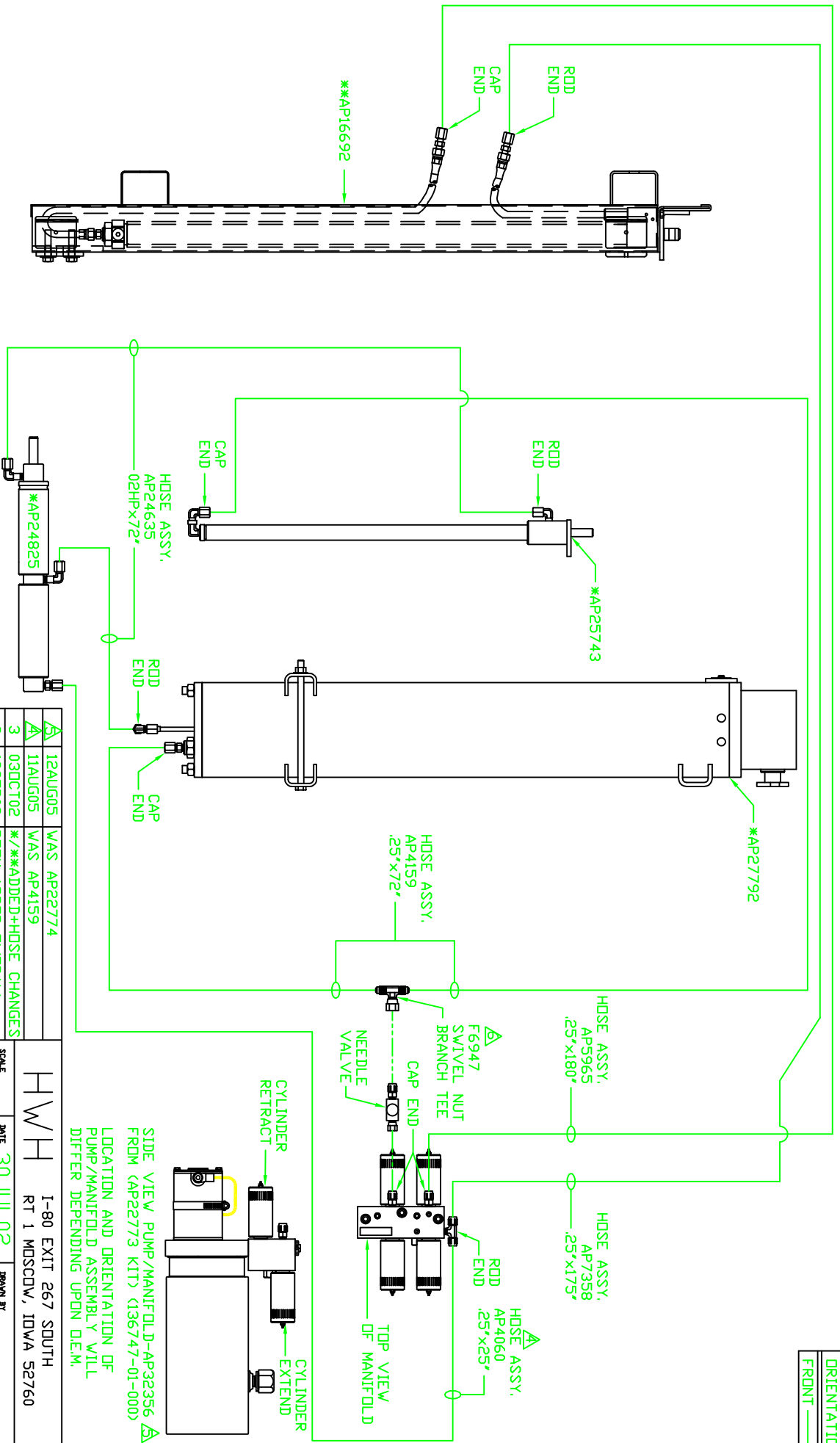
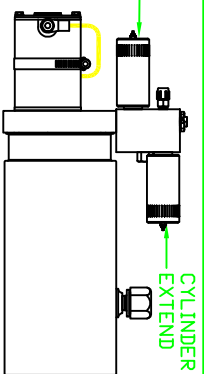


ORIENTATION
FRONT →



SIDE VIEW/ PUMP/MANIFOLD-AP32356
FROM (AP2273 KIT) (136747-01-000)
LOCATION AND ORIENTATION OF
PUMP/MANIFOLD ASSEMBLY WILL
DIFFER DEPENDING UPON D.E.M.



**FROM KIT AP27791 (143394-01-000)
**FROM KIT AP16160 (128599-04-000)

14SEP05 WAS F6006

NO.	DATE	REVISION
1	09SEP02	FITTING CHANGES
2	12SEP02	ROOM ADDED-OVERALL
3	03OCT02	**ADDED+HOSE CHANGES
12AUG05	WAS AP22774	
11AUG05	WAS AP4159	

THE INFORMATION DISCLOSED ON THIS DRAWING IS CONFIDENTIAL AND MUST NOT BE DISCLOSED OR USED IN ANY MANNER WHICH WILL BE DETRIMENTAL TO THE HWH CORPORATION

SCALE: HWH
DATE: 30JUL02
DRAWN BY: RT 1 MOSCOW, IOWA 52760
HYD CONN DIAGRAM
WINNEBAGO
DRAWING NUMBER: MP69194