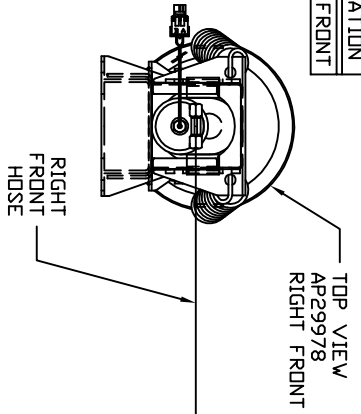
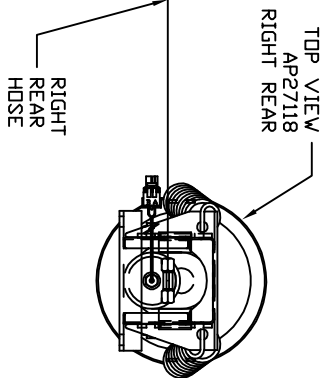
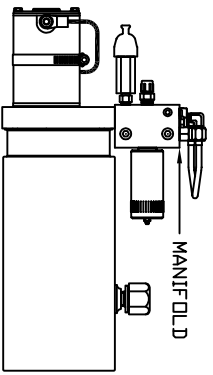
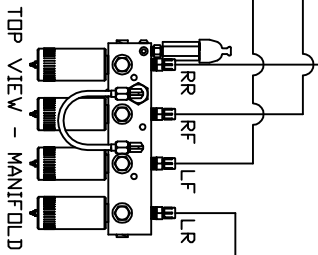
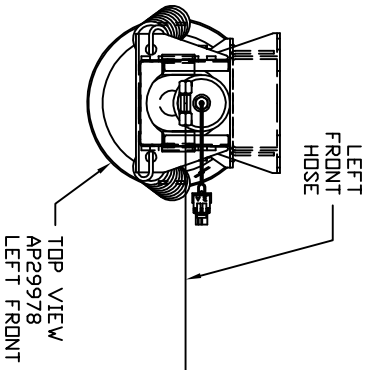


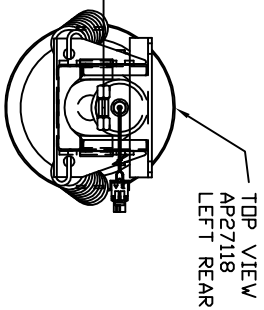
ORIENTATION
FRONT



NOTE: CROSS TIES REQUIRED FOR FRONT AND REAR JACKS



LEFT REAR HOSE



MODEL	HOSE KIT	LF HOSE	RF HOSE	RR HOSE	LR HOSE
G31S	AP32130	AP4073	AP7832	AP2464	AP4064

LEVELING SYSTEM: AP32726

NO.	DATE	REVISION

<p>THE INFORMATION DISCLOSED ON THIS DRAWING IS CONFIDENTIAL AND MUST NOT BE DISCLOSED OR USED IN ANY MANNER WHICH WILL BE DETRIMENTAL TO THE HWH CORPORATION</p>	<p>HWH 1-80 EXIT 267 SOUTH RT 1 MOSCOW, IOWA 52760</p>	<p>SCALE 1:6 DATE 11MAY05 DRAWN BY .</p>	<p>HYD CONN DIAGRAM</p>	<p>WINNEBAGO</p>	<p>DRAWING NUMBER MP69289</p>
---	--	--	-------------------------	------------------	-----------------------------------