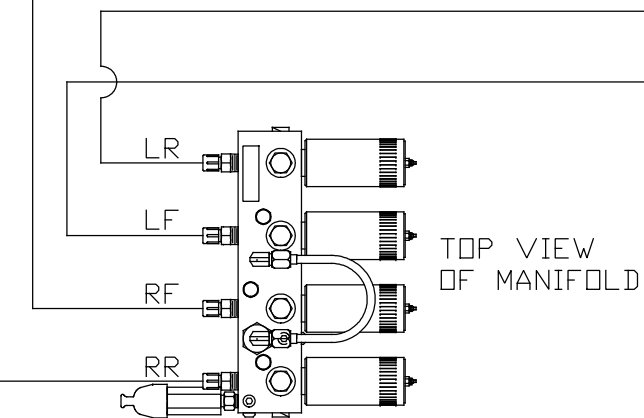
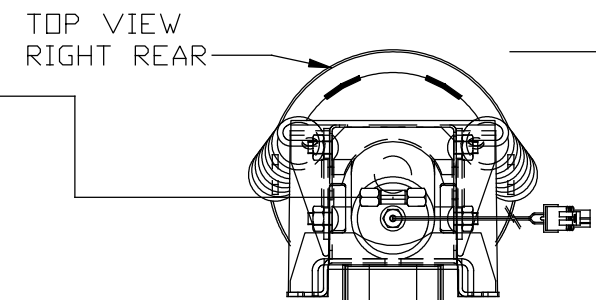
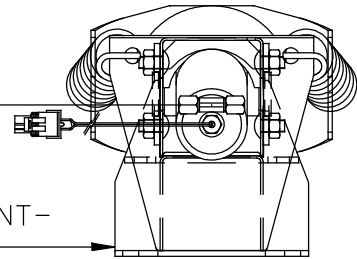
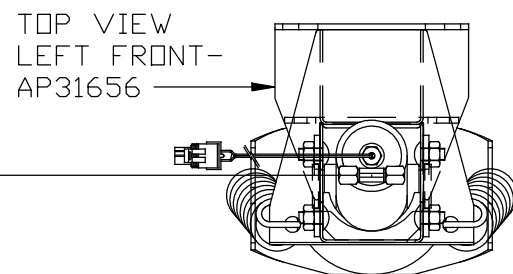


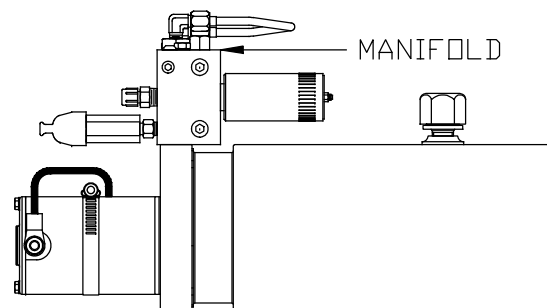
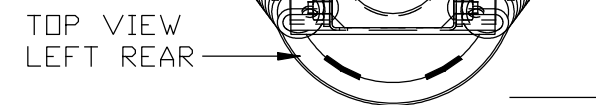
ORIENTATION  
← FRONT



NOTE: CROSS-TIES REQUIRED  
FOR STRAIGHT-ACTING JACKS  
ON BOTH FRONT AND REAR.



TOP VIEW  
(2) JACK ASSY.-  
AP31653



SIDE VIEW PUMP/MANIFOLD-AP32357

LOCATION AND ORIENTATION OF  
PUMP/MANIFOLD ASSEMBLY WILL  
DIFFER DEPENDING UPON D.E.M.

			HWH	I-80 EXIT 267 SOUTH
				RT 1 MOSCOW, IDWA 52760
			SCALE 1:6	DATE 20FEB04
				DRAWN BY .
NO.	DATE	REVISION	HYD CONN DIAGRAM	
THE INFORMATION DISCLOSED ON THIS DRAWING IS CONFIDENTIAL AND MUST NOT BE DISCLOSED OR USED IN ANY MANNER WHICH WILL BE DETRIMENTAL TO THE HWH CORPORATION			NEWMAR	DRAWING NUMBER MP69290

LEVELING SYSTEM: AP31957