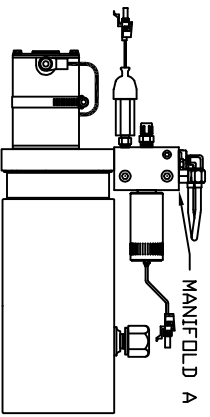
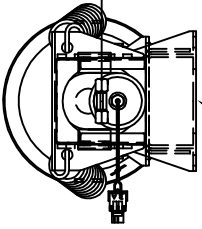
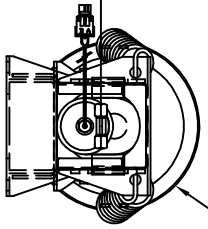
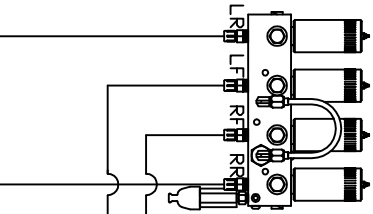


ORIENTATION  
FRONT

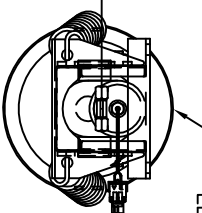
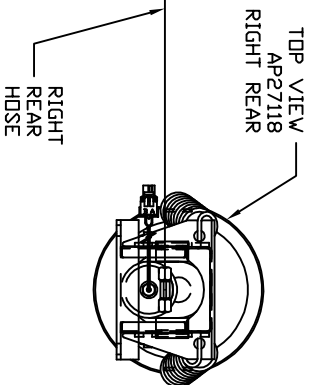


TOP VIEW - MANIFOLD A



MODEL	HOSE KIT	LF HOSE	RF HOSE	RR HOSE	LR HOSE
G31S	AP19681	AP5352	AP2443	AP4164	AP4163

LEVELING SYSTEM: AP31583



NOTE: CROSS TIES REQUIRED FOR FRONT AND REAR JACKS

NO.	DATE	REVISION

HWH 1-80 EXIT 267 SOUTH  
RT 1 MOSCOW, IOWA 52760

SCALE 1:6 DATE 16MAY05 DRAWN BY .

HYD CONN DIAGRAM

WINNEBAGO

DRAWING NUMBER MP69295

THE INFORMATION DISCLOSED ON THIS DRAWING IS CONFIDENTIAL AND MUST NOT BE DISCLOSED OR USED IN ANY MANNER WHICH WILL BE DETRIMENTAL TO THE HWH CORPORATION