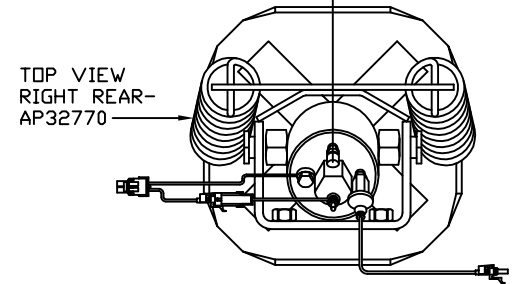
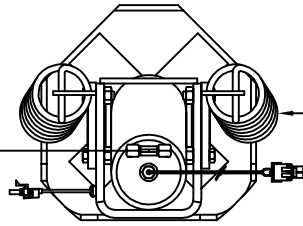
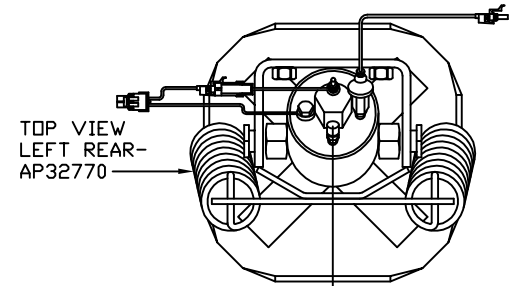
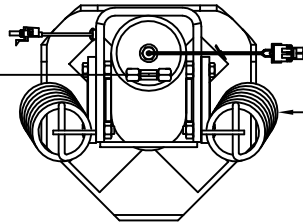


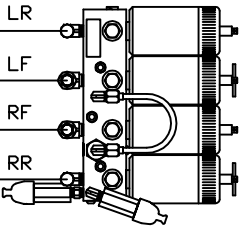
ORIENTATION
← FRONT



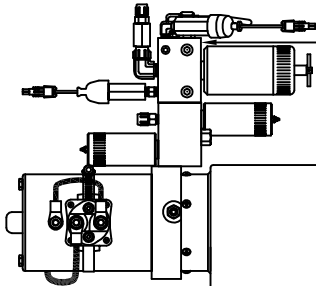
NOTE: CROSS-TIES REQUIRED
FOR STRAIGHT-ACTING JACKS
ON BOTH FRONT AND REAR.



TOP VIEW
MANIFOLD-A



MANIFOLD-A



SIDE VIEW PUMP/MANIFOLD-AP30220

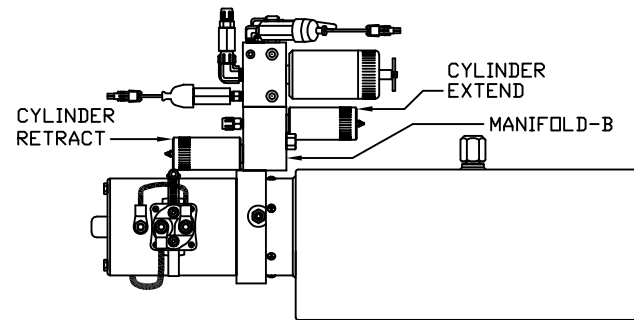
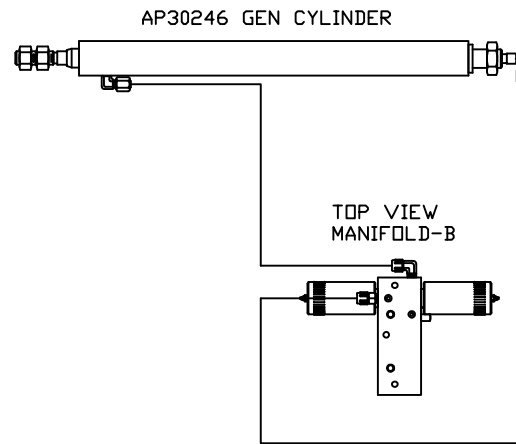
LOCATION AND ORIENTATION OF
PUMP/MANIFOLD ASSEMBLY WILL
DIFFER DEPENDING UPON O.E.M.

LEVELING SYSTEM: AP32515

		HWH		I-80 EXIT 267 SOUTH RT 1 MOSCOW, IOWA 52760	
		SCALE 1:6	DATE 05MAY04	DRAWN BY .	
		HYD CONN DIAGRAM			
NO.	DATE	REVISION		DRAWING NUMBER	
		THE INFORMATION DISCLOSED ON THIS DRAWING IS CONFIDENTIAL AND MUST NOT BE DISCLOSED OR USED IN ANY MANNER WHICH WILL BE DETRIMENTAL TO THE HWH CORPORATION		NEWMAR 2K	
				MP69313 A/B	

ORIENTATION

← FRONT



SIDE VIEW PUMP/MANIFOLD-AP30220

LOCATION AND ORIENTATION OF
PUMP/MANIFOLD ASSEMBLY WILL
DIFFER DEPENDING UPON O.E.M.