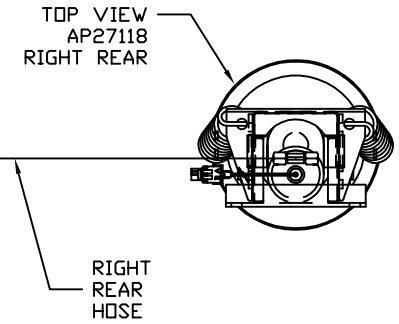
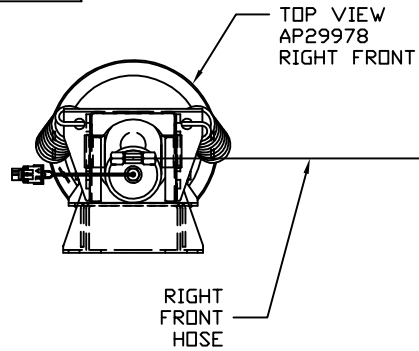
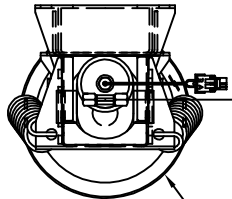


ORIENTATION
← FRONT

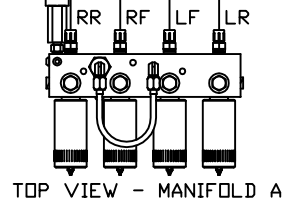


NOTE: CROSS TIES REQUIRED FOR FRONT AND REAR JACKS

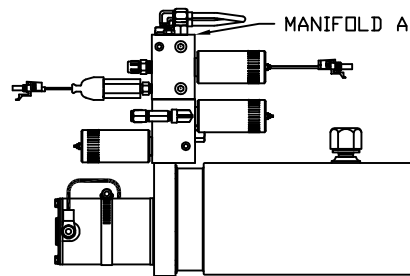
LEFT FRONT HOSE



TOP VIEW AP29978 LEFT FRONT

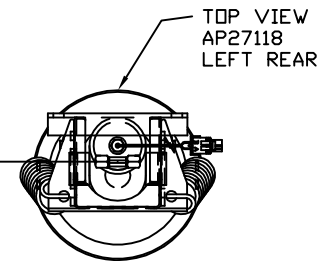


TOP VIEW - MANIFOLD A



SIDE VIEW OF PUMP/MANIFOLD-AP32360

LEFT REAR HOSE



TOP VIEW AP27118 LEFT REAR

MODEL	HOSE KIT	LF HOSE	RF HOSE	RR HOSE	LR HOSE
F38J	AP32130	AP4073	AP7832	AP2464	AP4064

LEVELING SYSTEM: AP34321

NO.	DATE	REVISION
▲	29AUG05	CORR. FITTING

THE INFORMATION DISCLOSED ON THIS DRAWING IS CONFIDENTIAL AND MUST NOT BE DISCLOSED OR USED IN ANY MANNER WHICH WILL BE DETRIMENTAL TO THE HWH CORPORATION

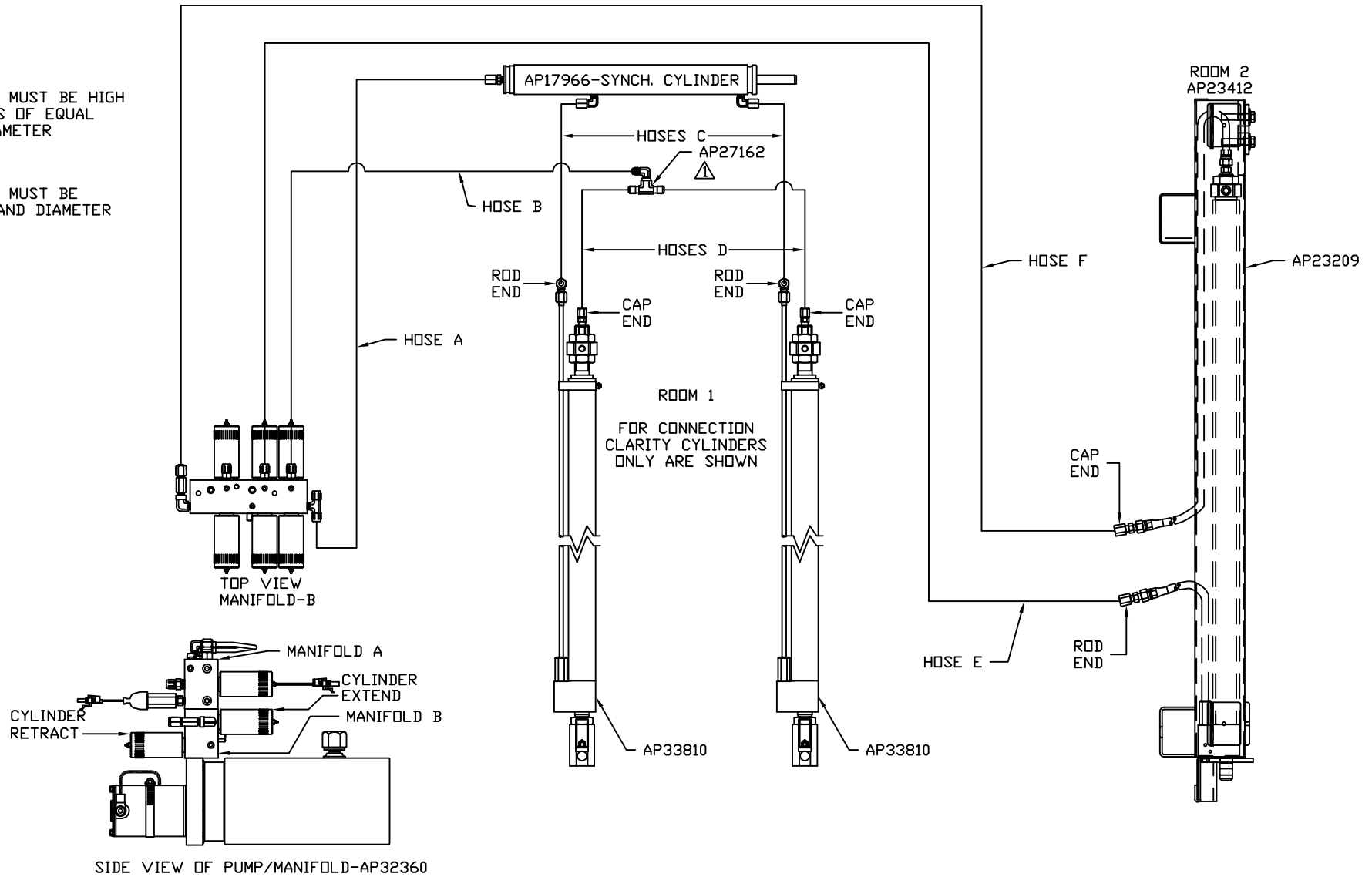
<p>HWH I-80 EXIT 267 SOUTH RT 1 MOSCOW, IOWA 52760</p>		
SCALE 1:6	DATE 18APR05	DRAWN BY .
<p>HYD CONN DIAGRAM</p>		
<p>WINNEBAGO</p>		<p>DRAWING NUMBER MP69373 A/C</p>

ORIENTATION
 ← FRONT

MODEL	HOSE A	HOSE B	HOSES C	HOSES D	HOSE E	HOSE F
F38J	AP4665	AP5616	AP24649	AP4906	AP5965	AP7358

NOTE: HOSES C MUST BE HIGH PRESSURE HOSES OF EQUAL LENGTH AND DIAMETER

NOTE: HOSES D MUST BE EQUAL LENGTH AND DIAMETER



ORIENTATION
 ← FRONT

MODEL	HOSE A	HOSE B	HOSES C	HOSES D
F38J	AP5965	AP7358	AP24649	AP4906

NOTE: HOSES C MUST BE HIGH PRESSURE HOSES OF EQUAL LENGTH AND DIAMETER

NOTE: HOSES D MUST BE EQUAL LENGTH AND DIAMETER

