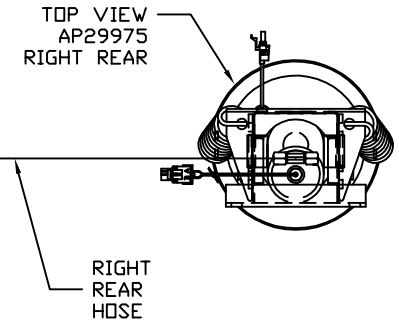
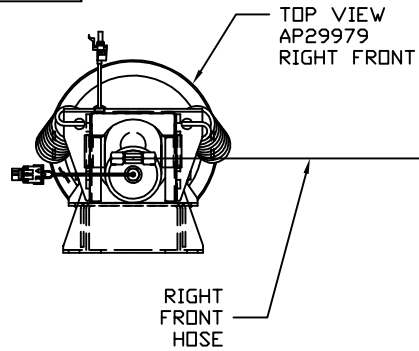
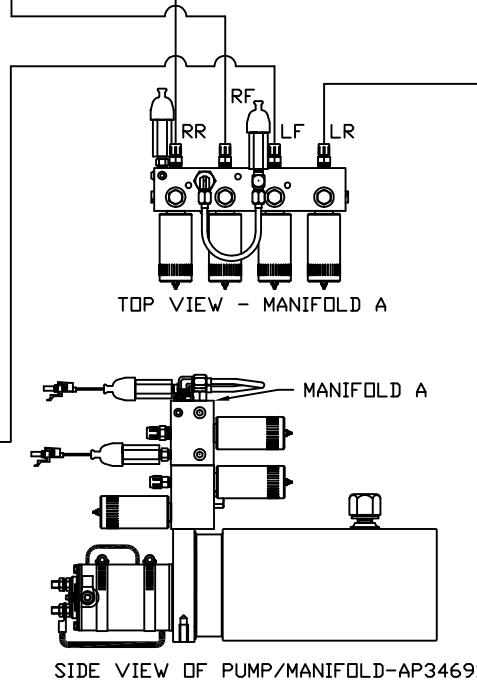
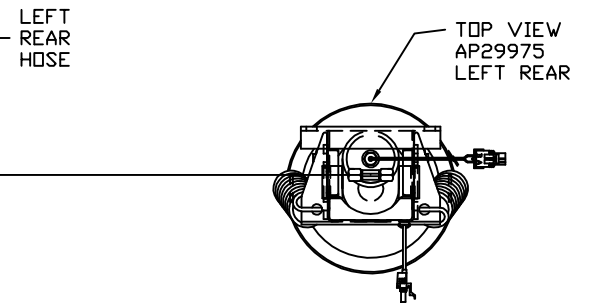
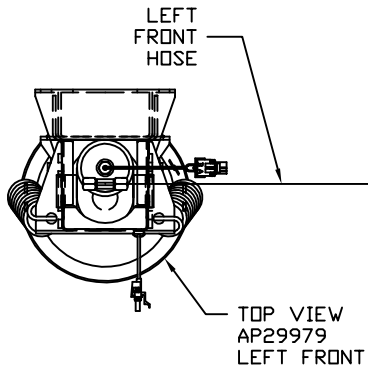


ORIENTATION  
← FRONT



NOTE: CROSS TIES REQUIRED FOR FRONT AND REAR JACKS



MODEL	HOSE KIT	LF HOSE	RF HOSE	RR HOSE	LR HOSE
F38S	AP32130	AP4073	AP7832	AP2464	AP4064

LEVELING SYSTEM: AP34317

		HWH I-80 EXIT 267 SOUTH RT 1 MOSCOW, IOWA 52760	
SCALE 1:6	DATE 19APR05	DRAWN BY .	
NO. 29AUG05	DATE	CORR. FITTING	
		REVISION	
HYD CONN DIAGRAM			
WINNEBAGO			DRAWING NUMBER MP69375 A/B
THE INFORMATION DISCLOSED ON THIS DRAWING IS CONFIDENTIAL AND MUST NOT BE DISCLOSED OR USED IN ANY MANNER WHICH WILL BE DETRIMENTAL TO THE HWH CORPORATION			

ORIENTATION  
 ← FRONT

MODEL	HOSE A	HOSE B	HOSES C	HOSES D
F38S	AP4665	AP5616	AP24649	AP4906

NOTE: HOSES C MUST BE HIGH PRESSURE HOSES OF EQUAL LENGTH AND DIAMETER

NOTE: HOSES D MUST BE EQUAL LENGTH AND DIAMETER

