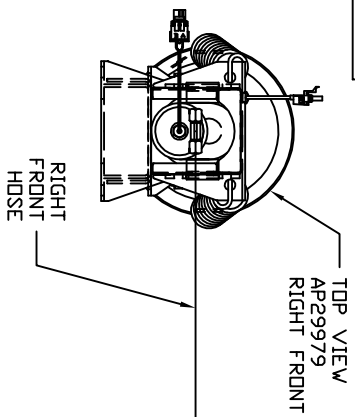
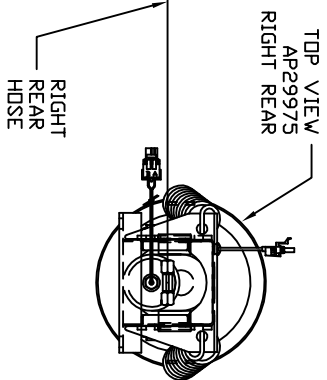
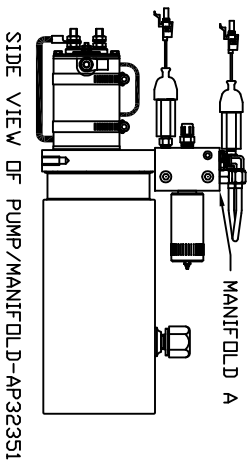
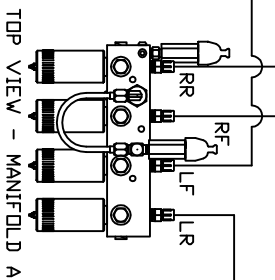
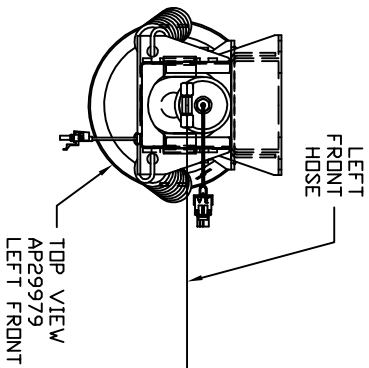


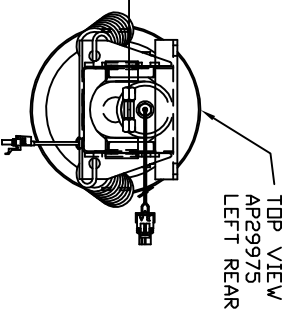
ORIENTATION  
FRONT



NOTE: CROSS TIES REQUIRED FOR FRONT AND REAR JACKS



LEFT REAR HOSE



MODEL	HOSE KIT	LF HOSE	RF HOSE	RR HOSE	LR HOSE
F38S	AP32130	AP4073	AP7832	AP2464	AP4064

LEVELING SYSTEM: AP34319

NO.	DATE	REVISION

HWH 1-80 EXIT 267 SOUTH  
 RT 1 MOSCOW, IOWA 52760  
 SCALE 1:6 DATE 19APR05 DRAWN BY .  
 HYD CONN DIAGRAM  
 WINNEBAGO DRAWING NUMBER MP69376

THE INFORMATION DISCLOSED ON THIS DRAWING IS CONFIDENTIAL AND MUST NOT BE DISCLOSED OR USED IN ANY MANNER WHICH WILL BE DETRIMENTAL TO THE HWH CORPORATION