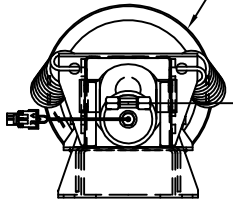


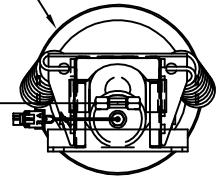
ORIENTATION
← FRONT

TOP VIEW
AP29978
RIGHT FRONT



RIGHT FRONT HOSE

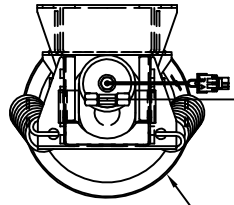
TOP VIEW
AP27118
RIGHT REAR



RIGHT REAR HOSE

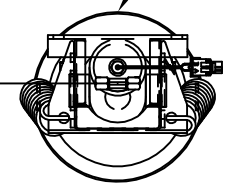
NOTE: CROSS TIES REQUIRED FOR FRONT AND REAR JACKS

LEFT FRONT HOSE

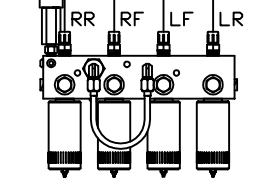


TOP VIEW
AP29978
LEFT FRONT

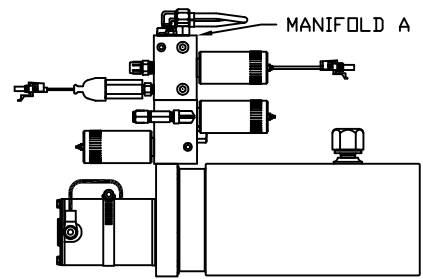
LEFT REAR HOSE



TOP VIEW
AP27118
LEFT REAR



TOP VIEW - MANIFOLD A



SIDE VIEW OF PUMP/MANIFOLD-AP32360

** 2005 PRODUCTION MODEL

MODEL	HOSE KIT	LF HOSE	RF HOSE	RR HOSE	LR HOSE
**F38J	AP32130	AP4073	AP7832	AP2464	AP4064
G35A	AP32708	AP4073	AP7832	AP4904	AP4729
G37B	AP32130	AP4073	AP7832	AP2464	AP4064
G38J	AP32130	AP4073	AP7832	AP2464	AP4064

LEVELING SYSTEM: AP32131

HWH I-80 EXIT 267 SOUTH
RT 1 MOSCOW, IOWA 52760

SCALE 1:6 DATE 21APR05 DRAWN BY .

HYD CONN DIAGRAM

NO.	DATE	REVISION

THE INFORMATION DISCLOSED ON THIS DRAWING IS CONFIDENTIAL AND MUST NOT BE DISCLOSED OR USED IN ANY MANNER WHICH WILL BE DETRIMENTAL TO THE HWH CORPORATION

WINNEBAGO

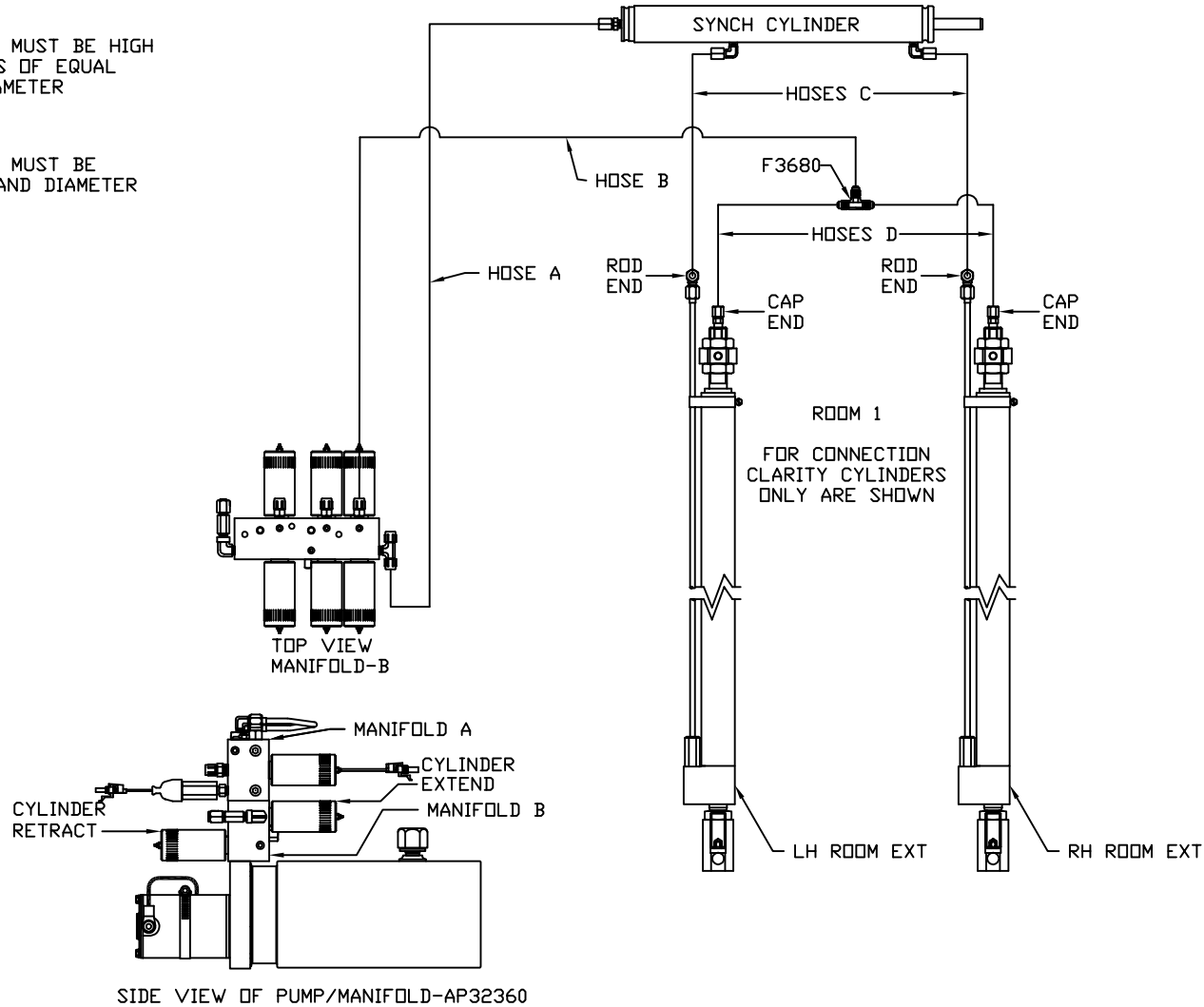
DRAWING NUMBER
MP69382 A/G

ORIENTATION
 ← FRONT

MODEL	HOSE A	HOSE B	HOSES C	HOSES D	SYNC CYL	LH ROOM EXT	RH ROOM EXT	** 2005 PRODUCTION MODEL
**F38J	AP4665	AP5616	AP24649	AP4906	AP17966	AP27504	AP27505	
G35A	AP4665	AP5616	AP24649	AP4906	AP17966	AP27504	AP27505	
G37B	AP4665	AP5616	AP24649	AP4906	AP17966	AP27505	AP27505	
G38J	AP4665	AP5616	AP24649	AP4906	AP17966	*AP33810	*AP33811	* AP27504 AND AP27505 USED ON 2005 PRODUCTION MODELS

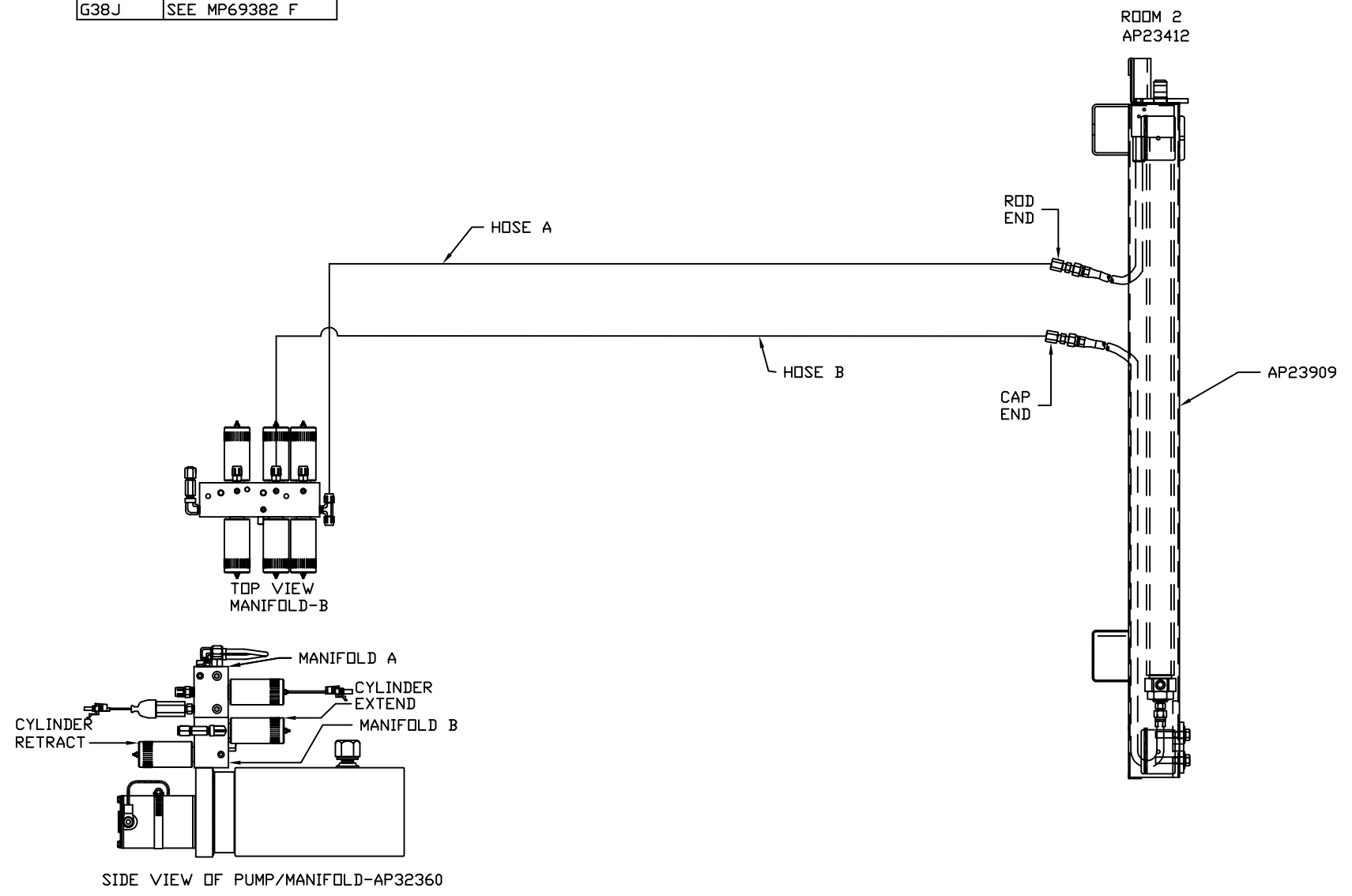
NOTE: HOSES C MUST BE HIGH PRESSURE HOSES OF EQUAL LENGTH AND DIAMETER

NOTE: HOSES D MUST BE EQUAL LENGTH AND DIAMETER



ORIENTATION
 ← FRONT

MODEL	HOSE A	HOSE B	** 2005 PRODUCTION MODEL
**F38J	SEE MP69382 F		
G35A	AP8985	AP5561	
G37B	SEE MP69382 E		
G38J	SEE MP69382 F		

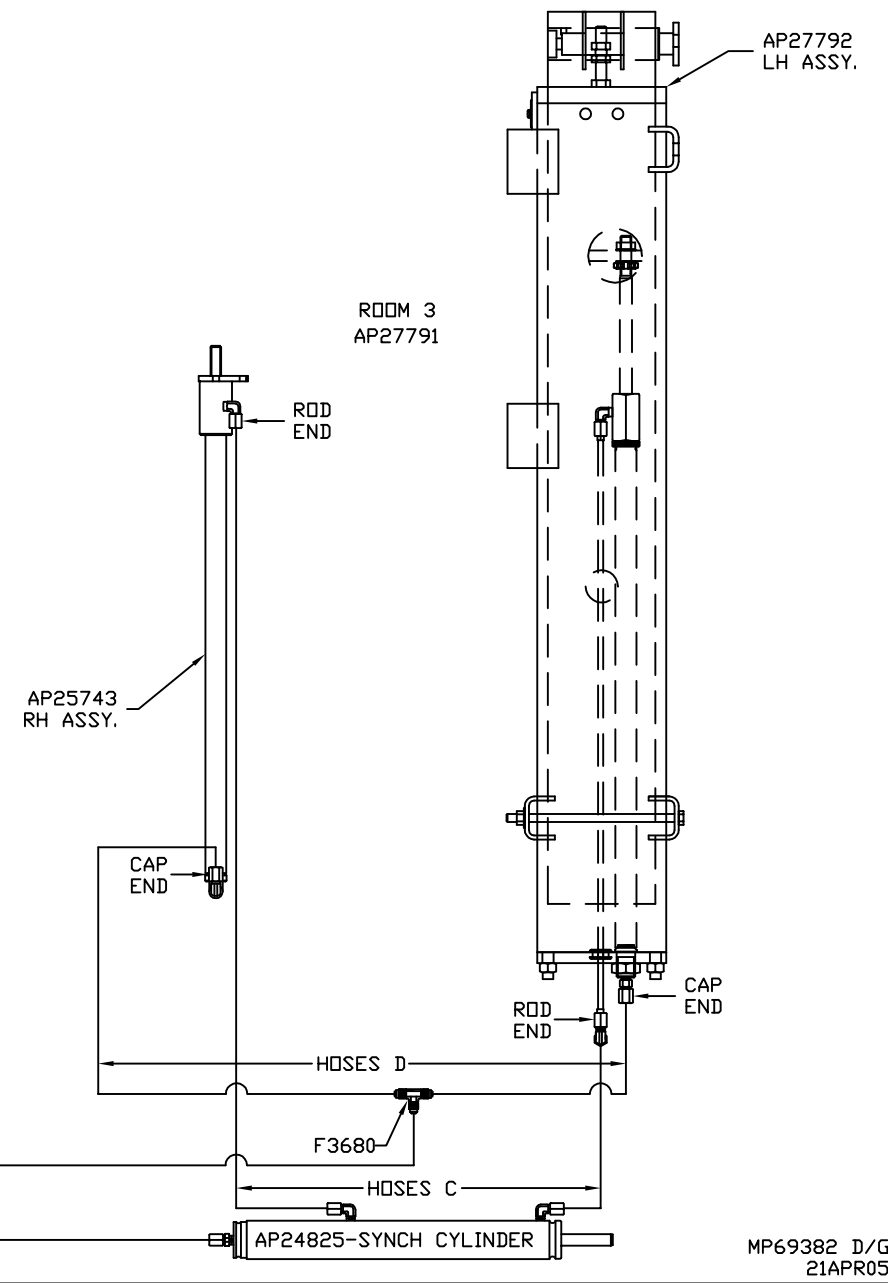
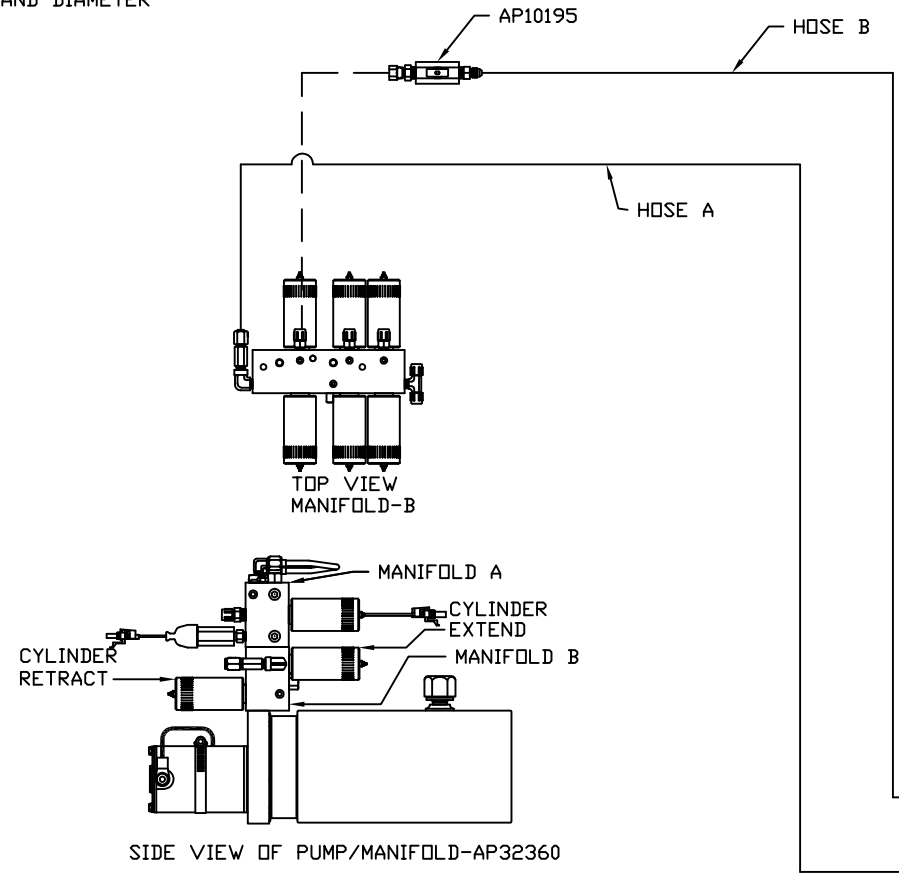


ORIENTATION
 ← FRONT

MODEL	HOSE A	HOSE B	HOSES C	HOSES D	** 2005 PRODUCTION MODEL
**F38J	SEE MP69382 G				
G35A	AP5965	AP7358	AP24635	AP4159	
G37B	AP4391	AP4163	AP24635	AP4159	
G38J	SEE MP69382 G				

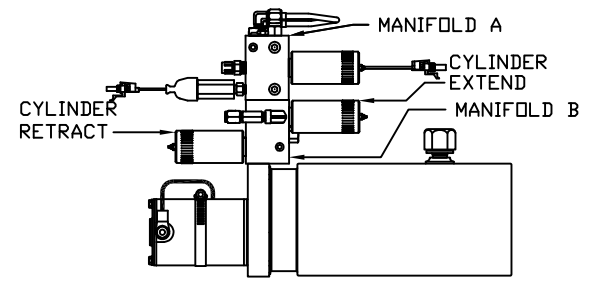
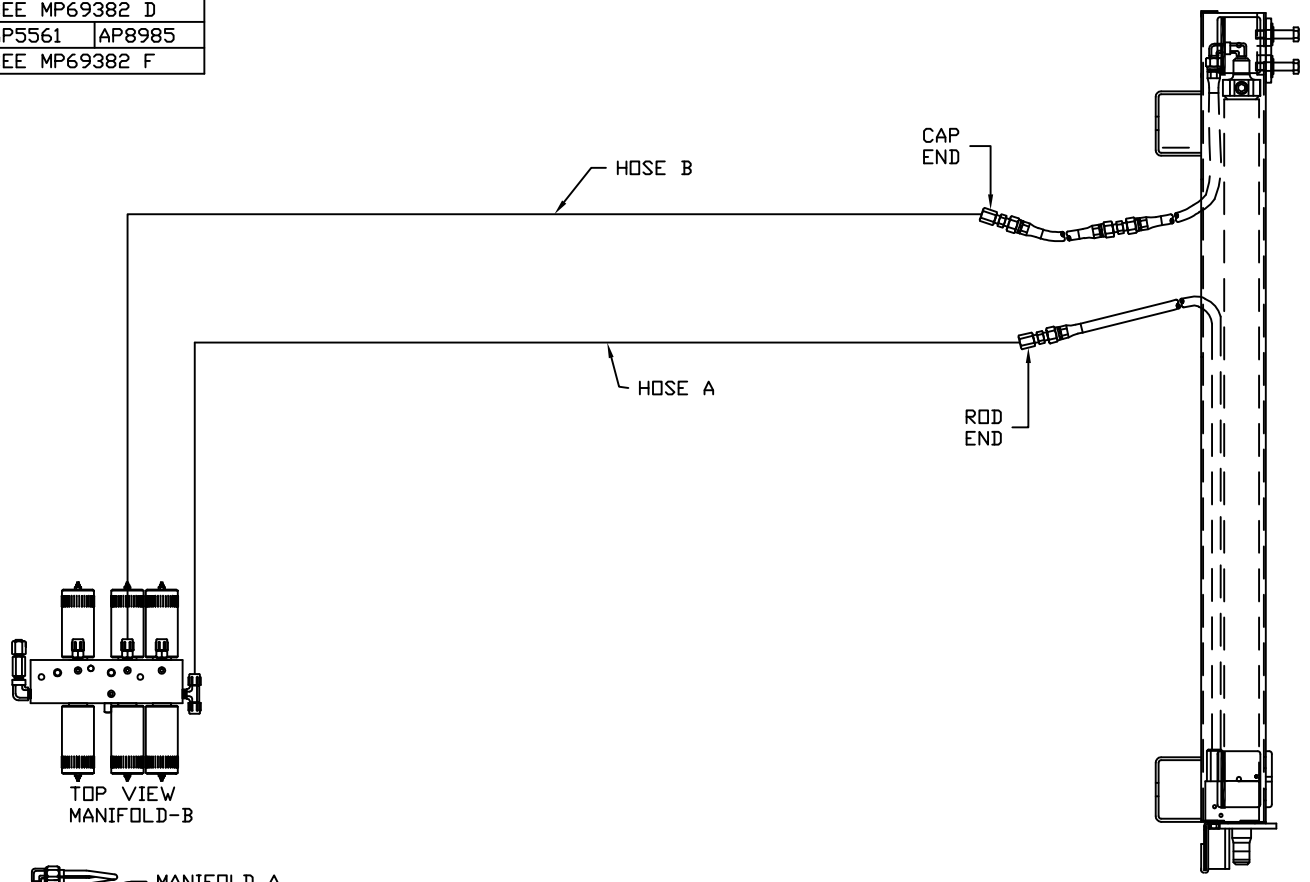
NOTE: HOSES C MUST BE HIGH PRESSURE HOSES OF EQUAL LENGTH AND DIAMETER

NOTE: HOSES D MUST BE EQUAL LENGTH AND DIAMETER



ORIENTATION
 ← FRONT

MODEL	HOSE A	HOSE B	** 2005 PRODUCTION MODEL
**F38J	SEE MP69382 F		
G35A	SEE MP69382 D		
G37B	AP5561	AP8985	
G38J	SEE MP69382 F		

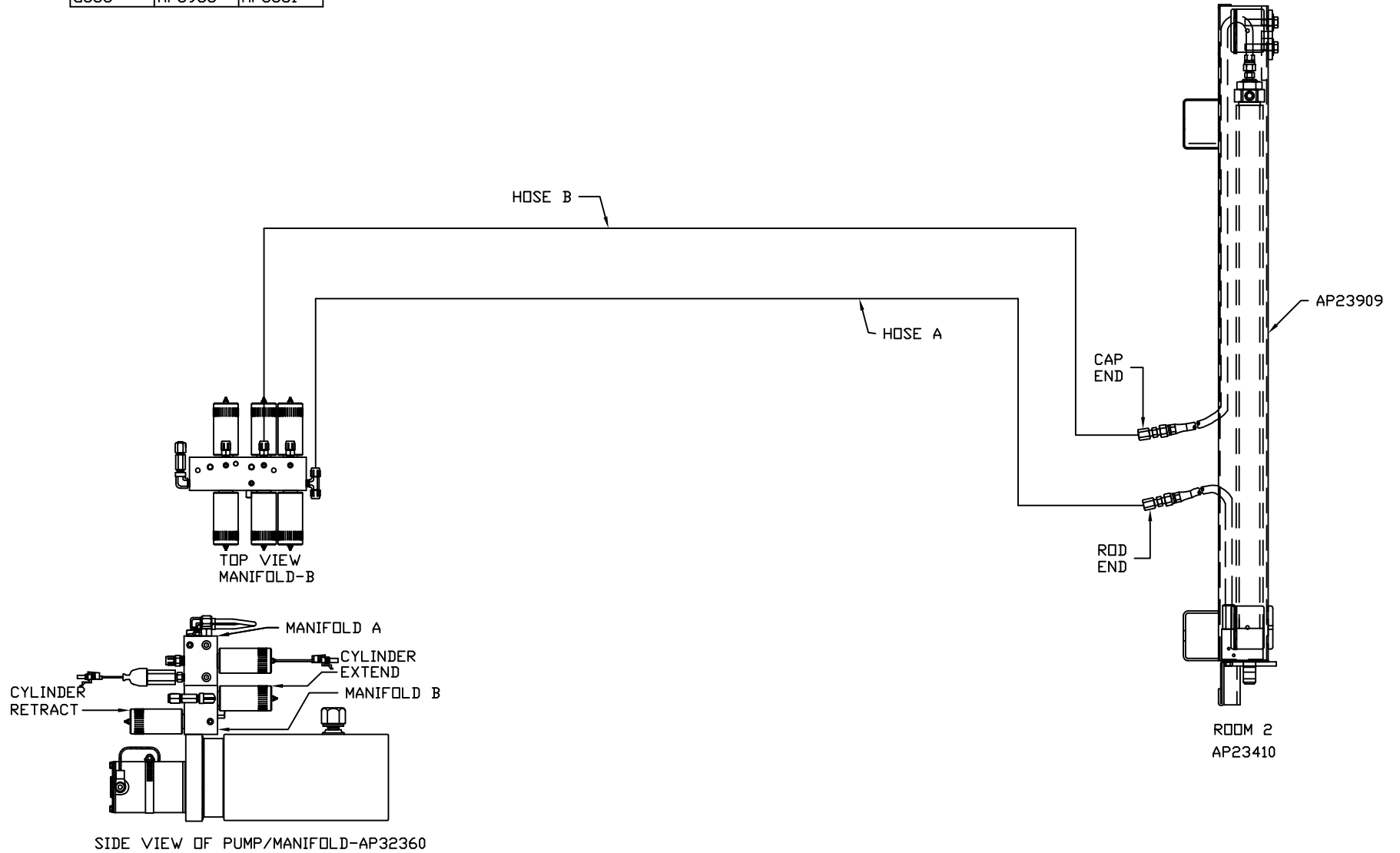


SIDE VIEW OF PUMP/MANIFOLD-AP32360

ORIENTATION

← FRONT

MODEL	HOSE A	HOSE B	** 2005 PRODUCTION MODEL
**F38J	AP8985	AP5561	
G35A	SEE MP69382 C		
G37B	SEE MP69382 E		
G38J	AP8985	AP5561	

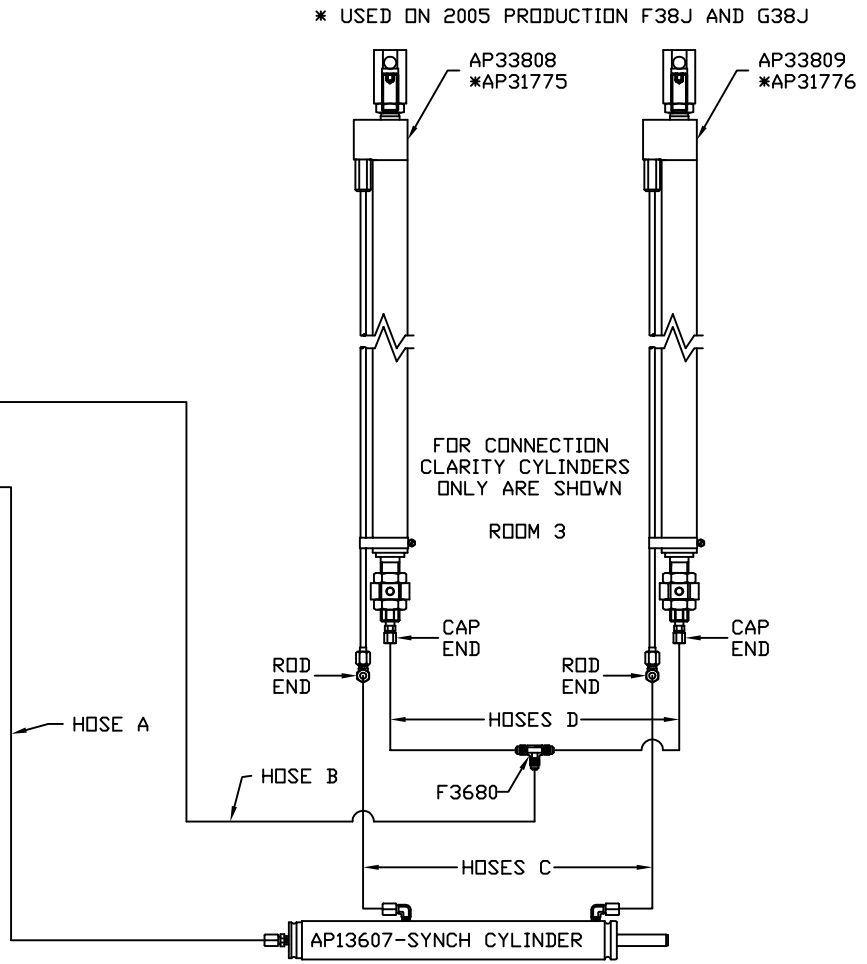
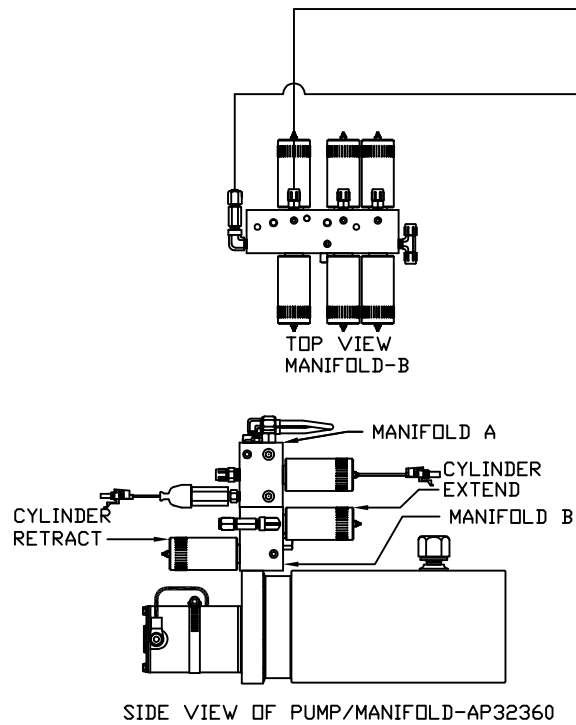


ORIENTATION
 ← FRONT

MODEL	HOSE A	HOSE B	HOSES C	HOSES D	** 2005 PRODUCTION MODEL
**F38J	AP5965	AP7358	AP24649	AP4906	
G35A	SEE MP69382 D				
G37B	SEE MP69382 D				
G38J	AP5965	AP7358	AP24649	AP4906	

NOTE: HOSES C MUST BE HIGH PRESSURE HOSES OF EQUAL LENGTH AND DIAMETER

NOTE: HOSES D MUST BE EQUAL LENGTH AND DIAMETER



* USED ON 2005 PRODUCTION F38J AND G38J

AP33808 *AP31775
 AP33809 *AP31776