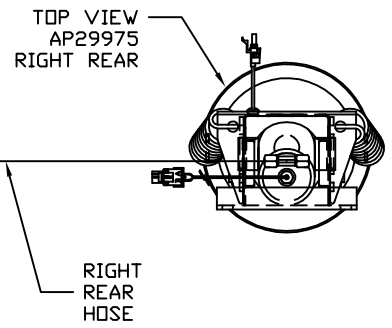
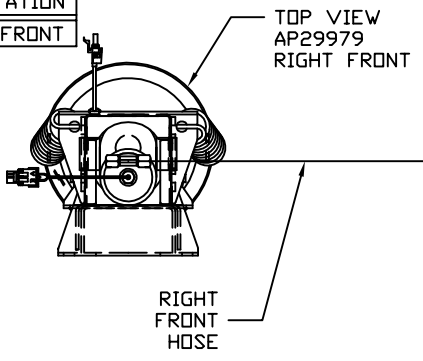
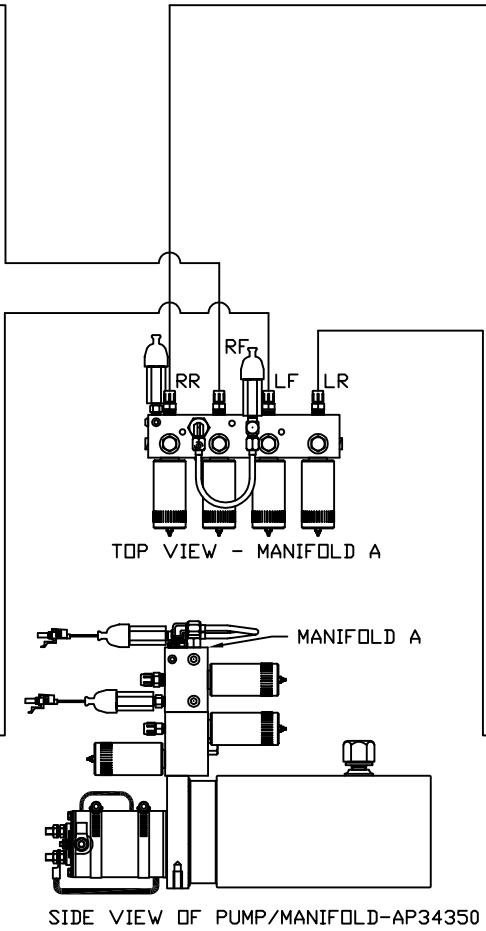
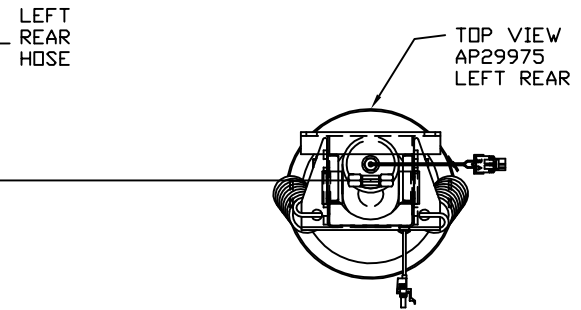
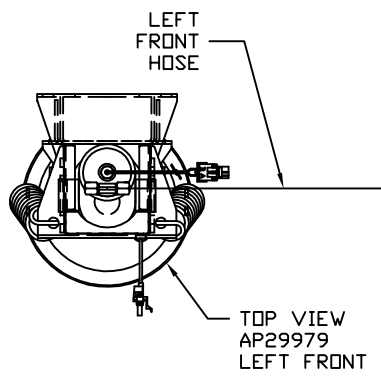


ORIENTATION  
← FRONT



NOTE: CROSS TIES REQUIRED FOR FRONT AND REAR JACKS



MODEL	HOSE KIT	LF HOSE	RF HOSE	RR HOSE	LR HOSE
G33V	AP32708	AP4073	AP7832	AP4904	AP4729
G35U	AP32708	AP4073	AP7832	AP4904	AP4729
G38R	AP32130	AP4073	AP7832	AP2464	AP4064
G38T	AP34668	AP4073	AP7832	AP2465	AP7043

LEVELING SYSTEM: AP34307

NO.	DATE	REVISION

HWH I-80 EXIT 267 SOUTH  
RT 1 MOSCOW, IOWA 52760

SCALE 1:6 DATE 21APR05 DRAWN BY .

HYD CONN DIAGRAM

THE INFORMATION DISCLOSED ON THIS DRAWING IS CONFIDENTIAL AND MUST NOT BE DISCLOSED OR USED IN ANY MANNER WHICH WILL BE DETRIMENTAL TO THE HWH CORPORATION

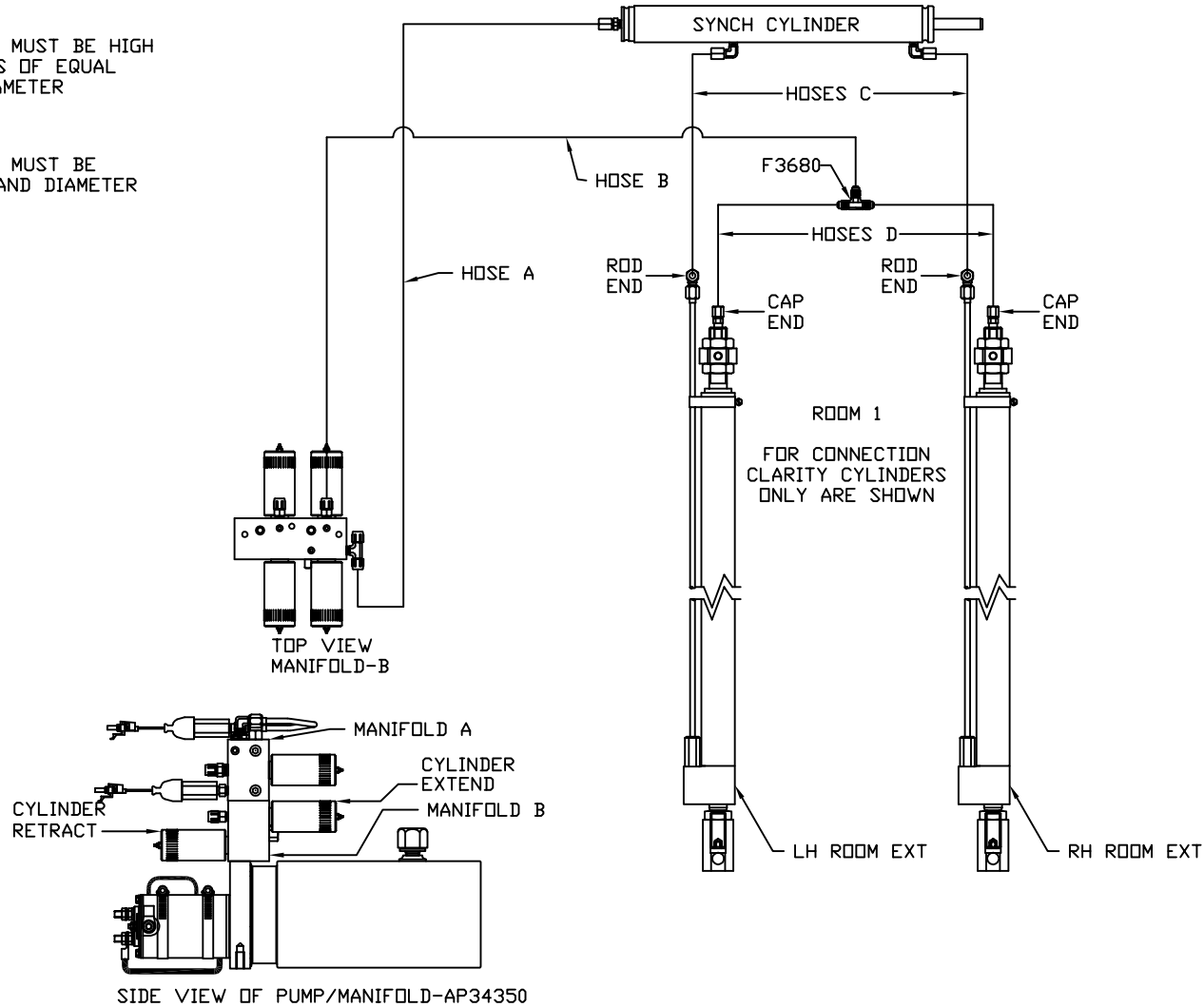
WINNEBAGO DRAWING NUMBER MP69383 A/E

ORIENTATION  
 ← FRONT

MODEL	HOSE A	HOSE B	HOSES C	HOSES D	SYNC CYL	LH ROOM EXT	RH ROOM EXT
G33V	AP4665	AP5616	AP24649	AP4906	AP17966	AP33810	AP27505
G35U	AP4665	AP5616	AP24649	AP4906	AP17966	AP27505	AP27505
G38R	AP4665	AP5616	AP24649	AP4906	AP17966	AP33810	AP33811
G38T	SEE MP69383 C						

NOTE: HOSES C MUST BE HIGH PRESSURE HOSES OF EQUAL LENGTH AND DIAMETER

NOTE: HOSES D MUST BE EQUAL LENGTH AND DIAMETER

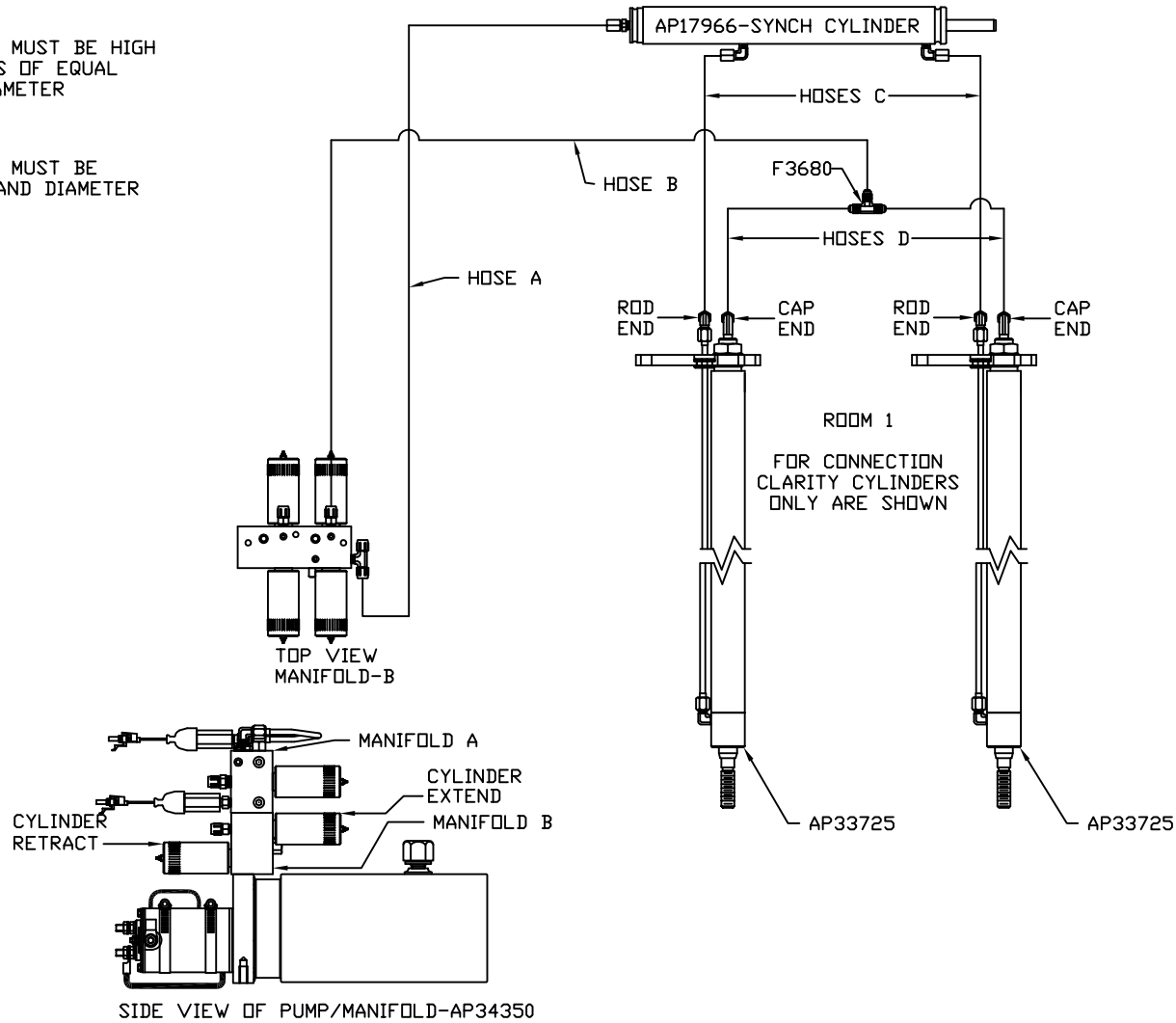


ORIENTATION  
 ← FRONT

MODEL	HOSE A	HOSE B	HOSES C	HOSES D
G33V	SEE MP69383 B			
G35U	SEE MP69383 B			
G38R	SEE MP69383 B			
G38T	AP4906	AP4074	AP24649	AP4906

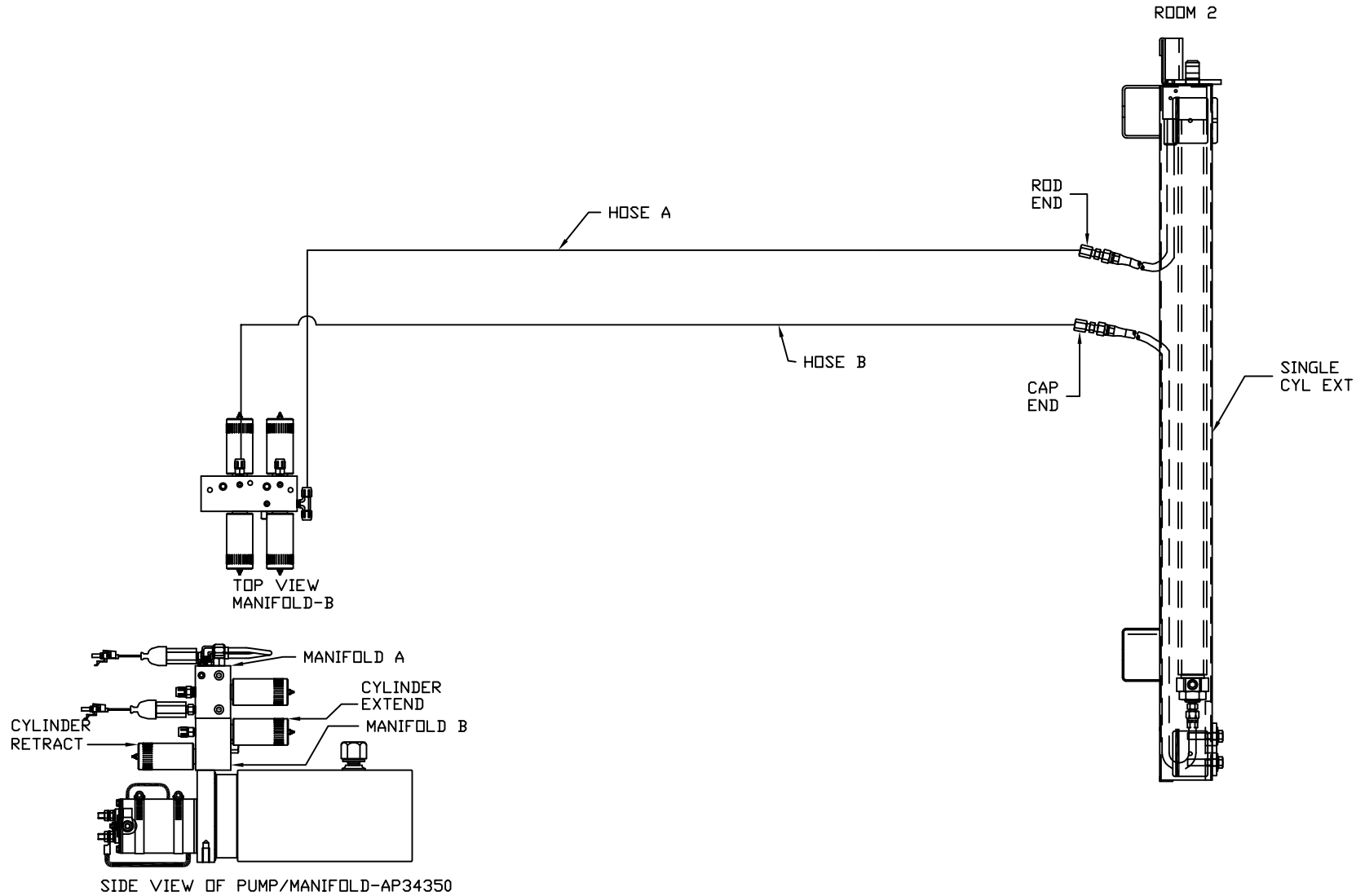
NOTE: HOSES C MUST BE HIGH PRESSURE HOSES OF EQUAL LENGTH AND DIAMETER

NOTE: HOSES D MUST BE EQUAL LENGTH AND DIAMETER



ORIENTATION  
 ← FRONT

MODEL	HOSE A	HOSE B	ROOM 2	SINGLE CYL EXT
G33V	AP5561	AP8985	AP23412	AP23909
G35U	AP5561	AP8985	AP16691	AP19079
G38R	AP4391	AP4163	AP23412	AP23909
G38T	SEE MP69383 E			



ORIENTATION  
← FRONT

MODEL	HOSE A	HOSE B	HOSES C	HOSES D
G33V	SEE MP69383 D			
G35U	SEE MP69383 D			
G38R	SEE MP69383 D			
G38T	AP5965	AP7358	AP24649	AP4906

NOTE: HOSES C MUST BE HIGH PRESSURE HOSES OF EQUAL LENGTH AND DIAMETER

NOTE: HOSES D MUST BE EQUAL LENGTH AND DIAMETER

