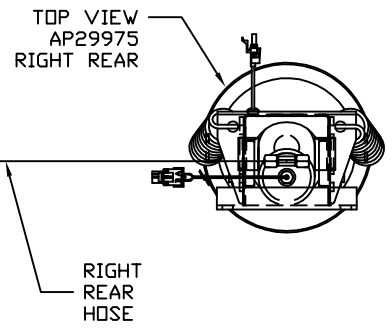
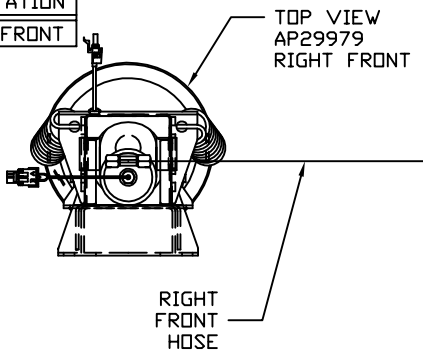
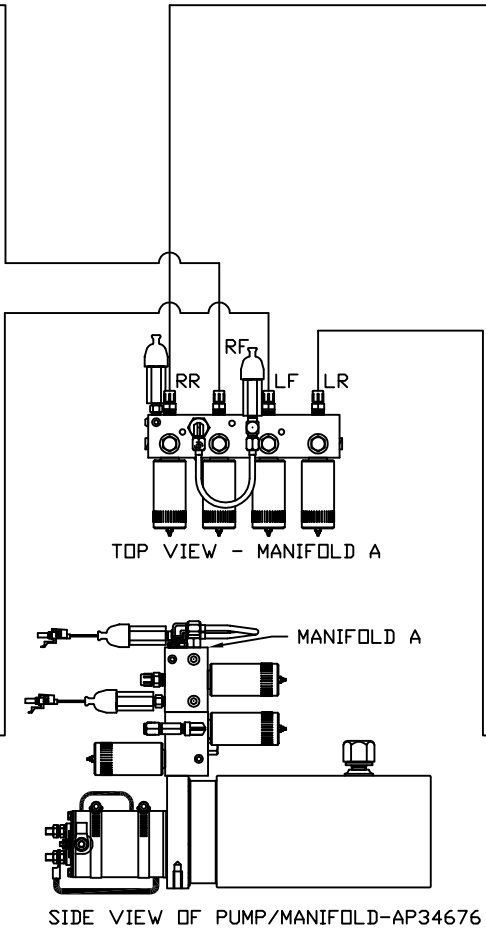
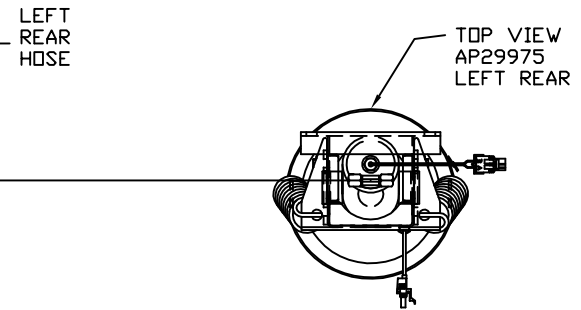
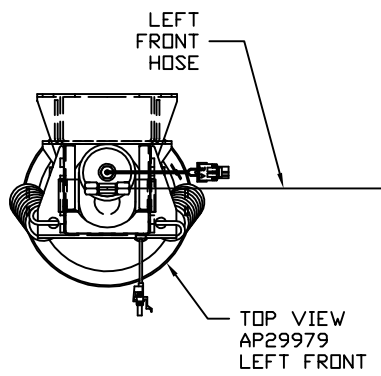


ORIENTATION
← FRONT



NOTE: CROSS TIES REQUIRED FOR FRONT AND REAR JACKS



MODEL	HOSE KIT	LF HOSE	RF HOSE	RR HOSE	LR HOSE
G33V	AP32708	AP4073	AP7832	AP4904	AP4729
G35U	AP32708	AP4073	AP7832	AP4904	AP4729
G38R	AP32130	AP4073	AP7832	AP2464	AP4064
G38T	AP34668	AP4073	AP7832	AP2465	AP7043

LEVELING SYSTEM: AP34309

NO.	DATE	REVISION

HWH I-80 EXIT 267 SOUTH
 RT 1 MOSCOW, IOWA 52760

SCALE 1:6 DATE 21APR05 DRAWN BY .

HYD CONN DIAGRAM

WINNEBAGO

DRAWING NUMBER
MP69384 A/G

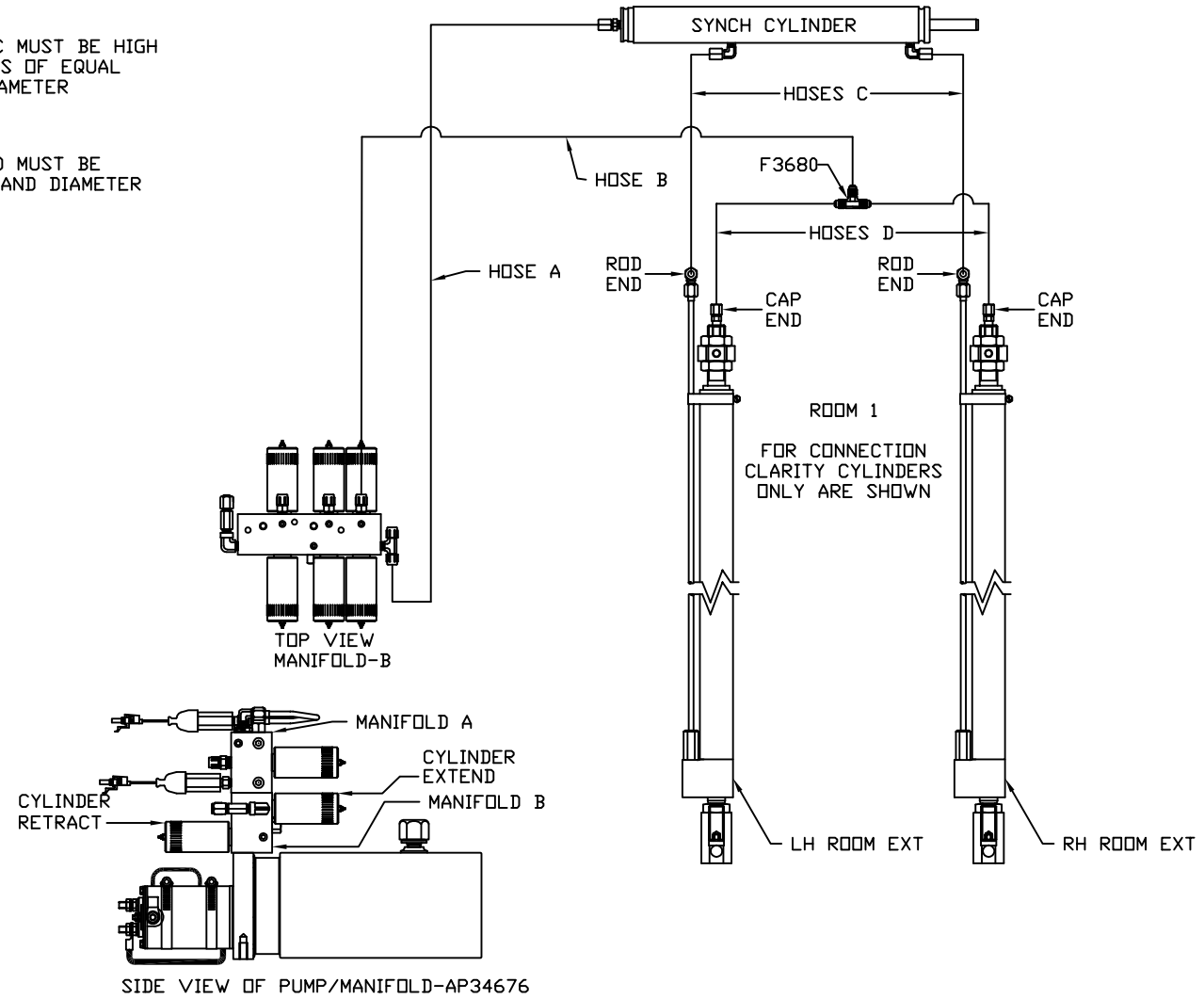
THE INFORMATION DISCLOSED ON THIS DRAWING IS CONFIDENTIAL AND MUST NOT BE DISCLOSED OR USED IN ANY MANNER WHICH WILL BE DETRIMENTAL TO THE HWH CORPORATION

ORIENTATION
 ← FRONT

MODEL	HOSE A	HOSE B	HOSES C	HOSES D	SYNC CYL	LH ROOM EXT	RH ROOM EXT
G35A	AP4665	AP5616	AP24649	AP4906	AP17966	AP27504	AP27505
G37B	AP4665	AP5616	AP24649	AP4906	AP17966	AP27505	AP27505
G38J	AP4665	AP5616	AP24649	AP4906	AP17966	AP33810	AP33811

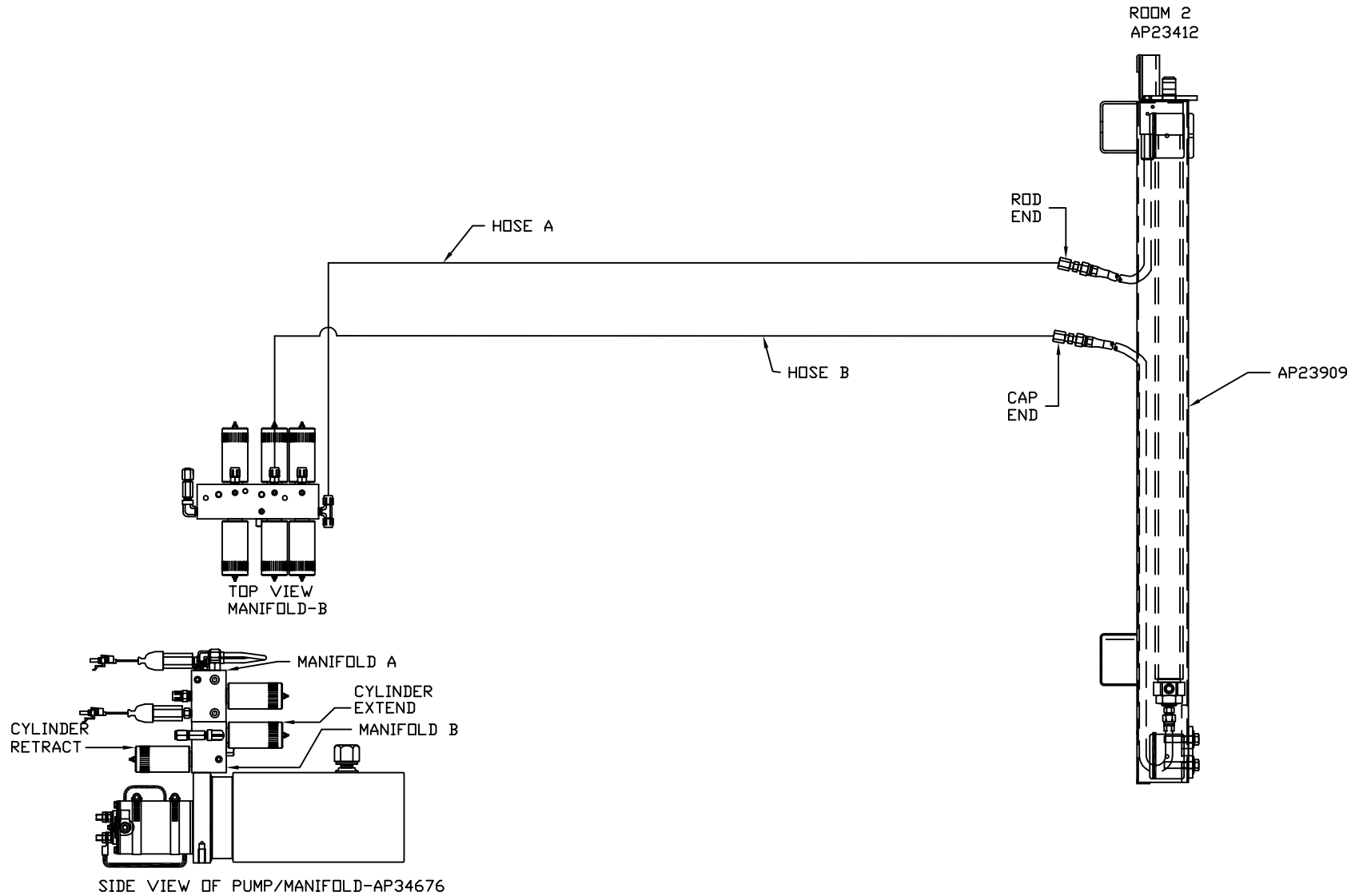
NOTE: HOSES C MUST BE HIGH PRESSURE HOSES OF EQUAL LENGTH AND DIAMETER

NOTE: HOSES D MUST BE EQUAL LENGTH AND DIAMETER



ORIENTATION
 ← FRONT

MODEL	HOSE A	HOSE B
G35A	AP8985	AP5561
G37B	SEE MP69384 E	
G38J	SEE MP69384 F	

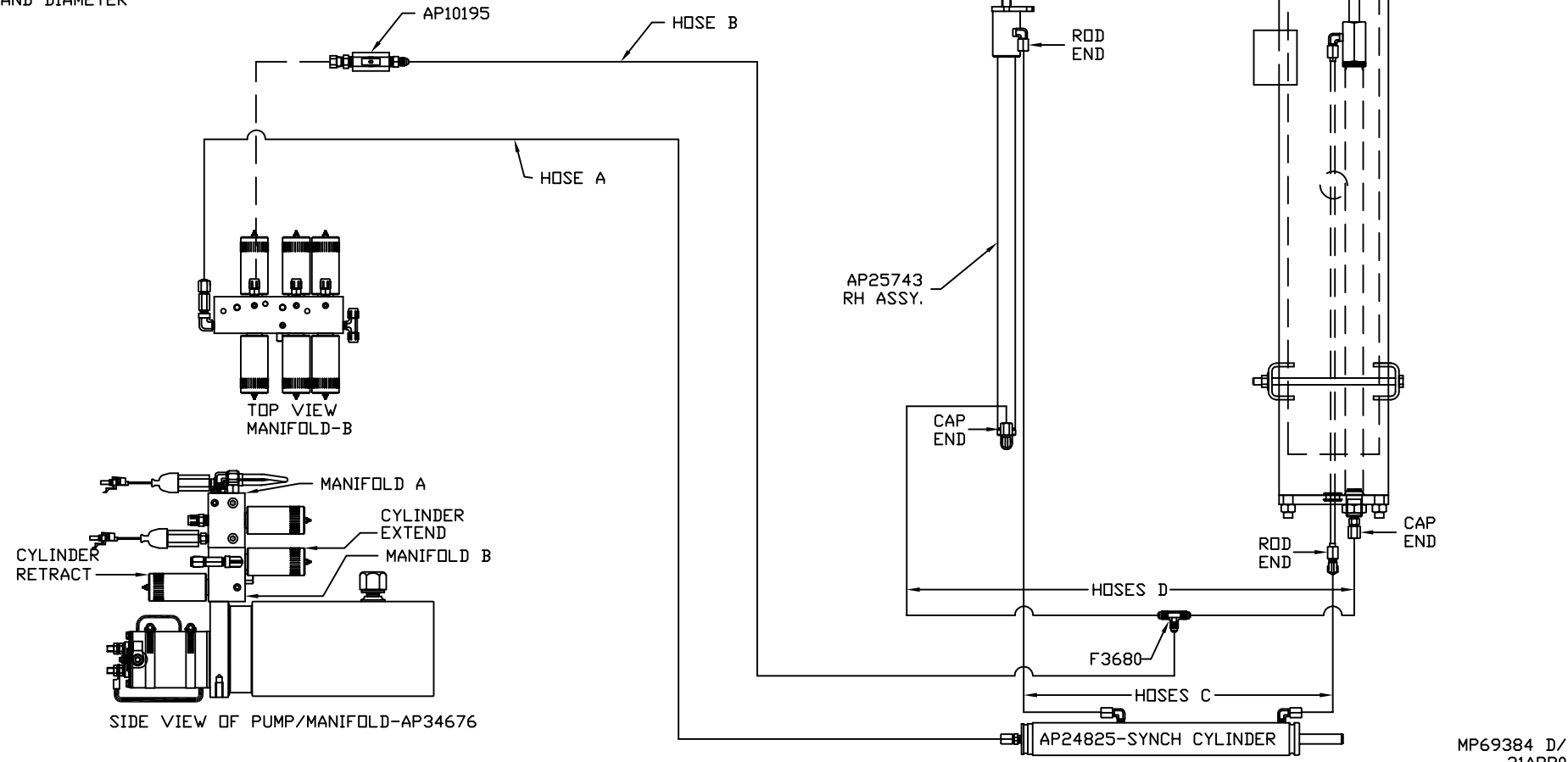


ORIENTATION
 ← FRONT

MODEL	HOSE A	HOSE B	HOSES C	HOSES D
G35A	AP5965	AP7358	AP24635	AP4159
G37B	AP4391	AP4163	AP24635	AP4159
G38J	SEE MP69384 G			

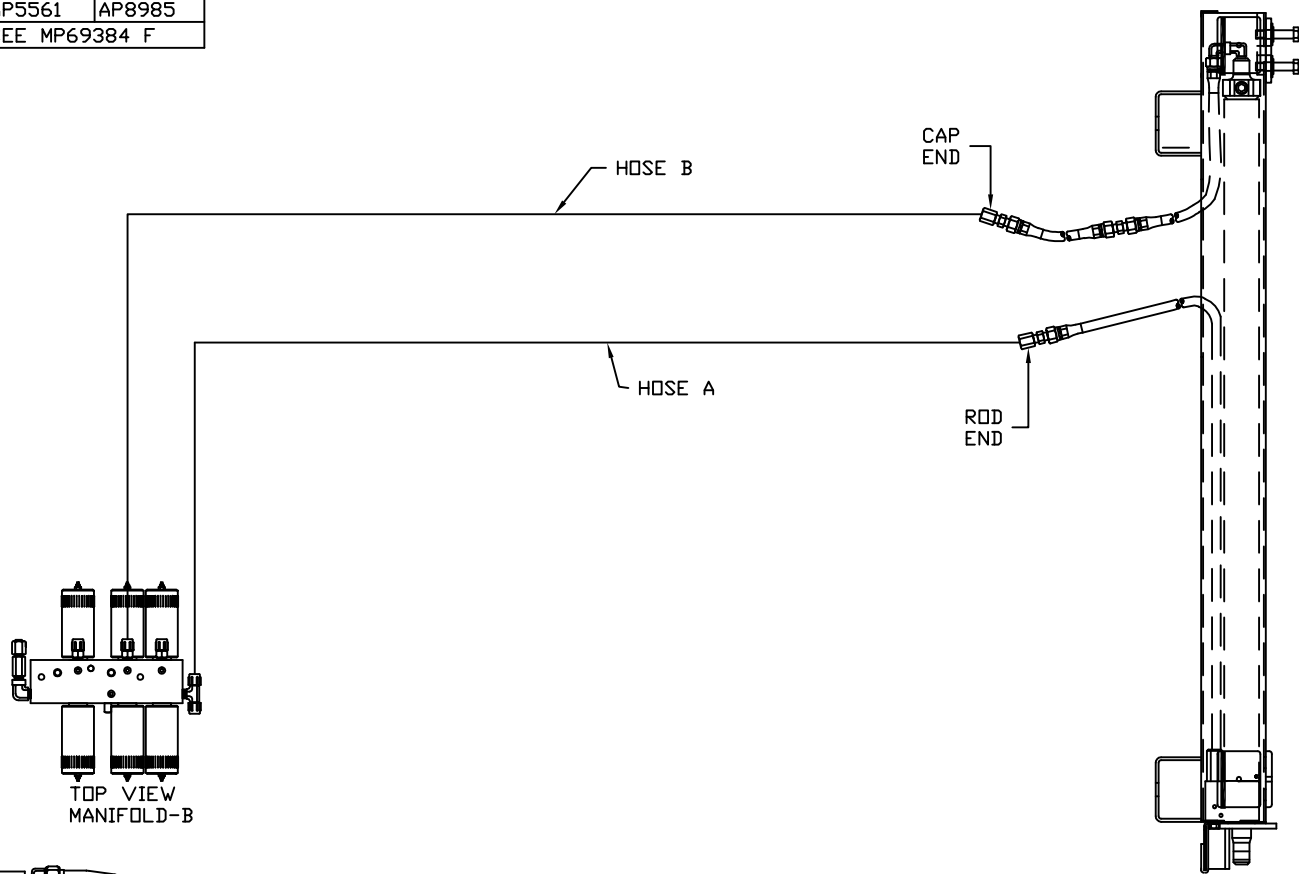
NOTE: HOSES C MUST BE HIGH PRESSURE HOSES OF EQUAL LENGTH AND DIAMETER

NOTE: HOSES D MUST BE EQUAL LENGTH AND DIAMETER

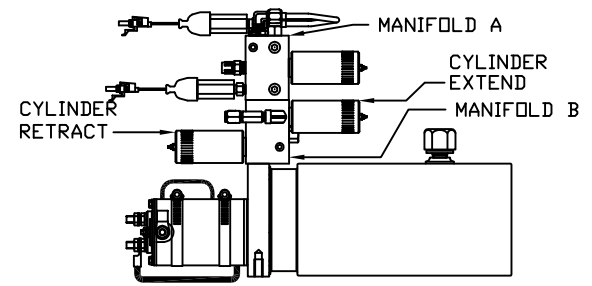


ORIENTATION
 ← FRONT

MODEL	HOSE A	HOSE B
G35A	SEE MP69384 C	
G37B	AP5561	AP8985
G38J	SEE MP69384 F	



TOP VIEW
 MANIFOLD-B

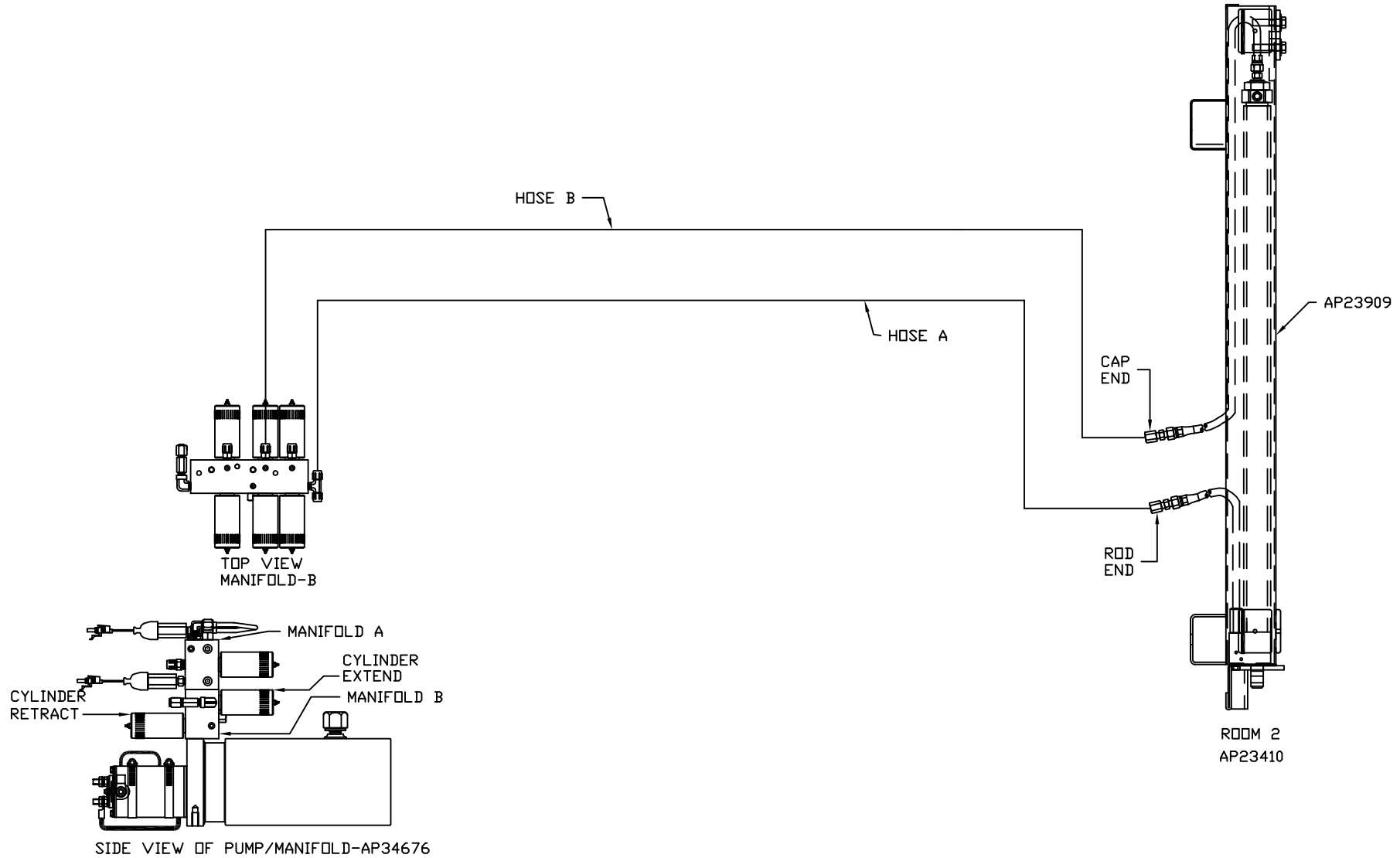


SIDE VIEW OF PUMP/MANIFOLD-AP34676

ROOM 2
 AP30875

ORIENTATION
 ← FRONT

MODEL	HOSE A	HOSE B
G35A	SEE MP69384 C	
G37B	SEE MP69384 E	
G38J	AP8985	AP5561



ORIENTATION
← FRONT

MODEL	HOSE A	HOSE B	HOSES C	HOSES D
G35A	SEE MP69384 D			
G37B	SEE MP69384 D			
G38J	AP5965	AP7358	AP24649	AP4906

NOTE: HOSES C MUST BE HIGH PRESSURE HOSES OF EQUAL LENGTH AND DIAMETER

NOTE: HOSES D MUST BE EQUAL LENGTH AND DIAMETER

