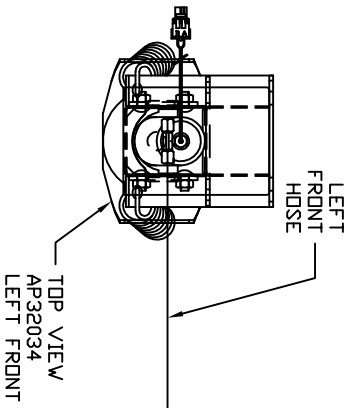
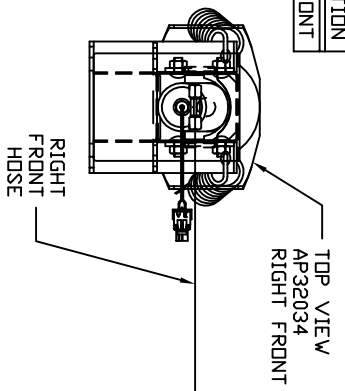
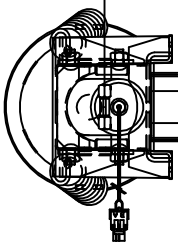
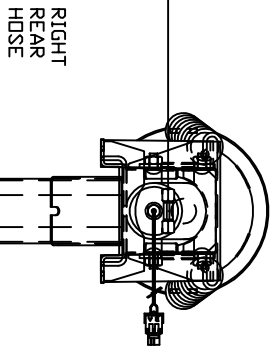
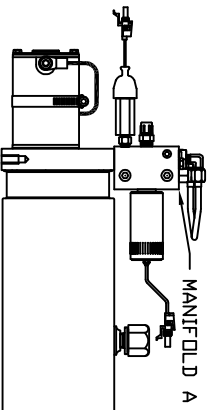
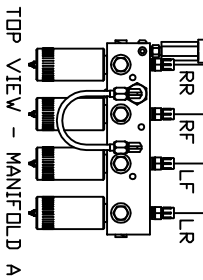


ORIENTATION
FRONT



NOTE: CROSS TIE REQUIRED FOR FRONT JACKS



TOP VIEW AP31982 REAR JACKS

| MODEL | HOSE KIT | LF HOSE | RF HOSE | RR HOSE | LR HOSE |
|-------|----------|---------|---------|---------|---------|
| G385 | AP32708 | AP4073 | AP7832 | AP4904 | AP4729 |
| G385 | AP32130 | AP4073 | AP7832 | AP2464 | AP4064 |

LEVELING SYSTEM: AP33298

| NO. | DATE | REVISION |
|-----|------|----------|
| | | |
| | | |
| | | |

HWH 1-80 EXIT 267 SOUTH
 RT 1 MOSCOW, IOWA 52760
 SCALE 1:6 DATE 11MAY05 DRAWN BY .
HYD CONN DIAGRAM
WINNEBAGO DRAWING NUMBER
 MP69399

THE INFORMATION DISCLOSED ON THIS DRAWING IS CONFIDENTIAL AND MUST NOT BE DISCLOSED OR USED IN ANY MANNER WHICH WILL BE DETRIMENTAL TO THE HWH CORPORATION