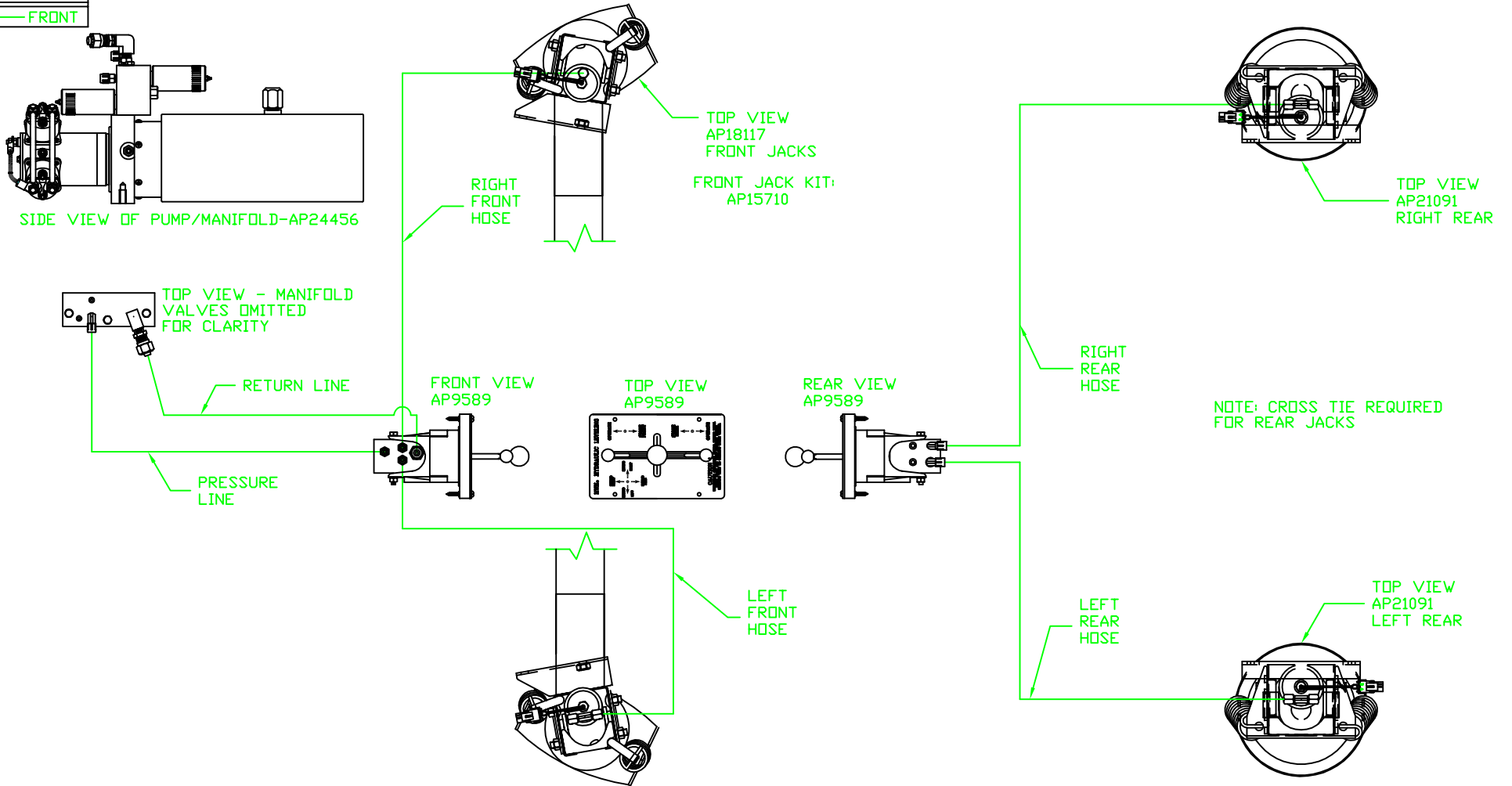


ORIENTATION

← FRONT



MODEL	HOSE KIT	LF HOSE	RF HOSE	RR HOSE	LR HOSE	PRESSURE	RETURN
F30W	AP0013	AP4073	AP7099	AP5561	AP4904	AP4074	P7335
F32V	AP0013	AP4073	AP7099	AP5561	AP4904	AP4074	P7335

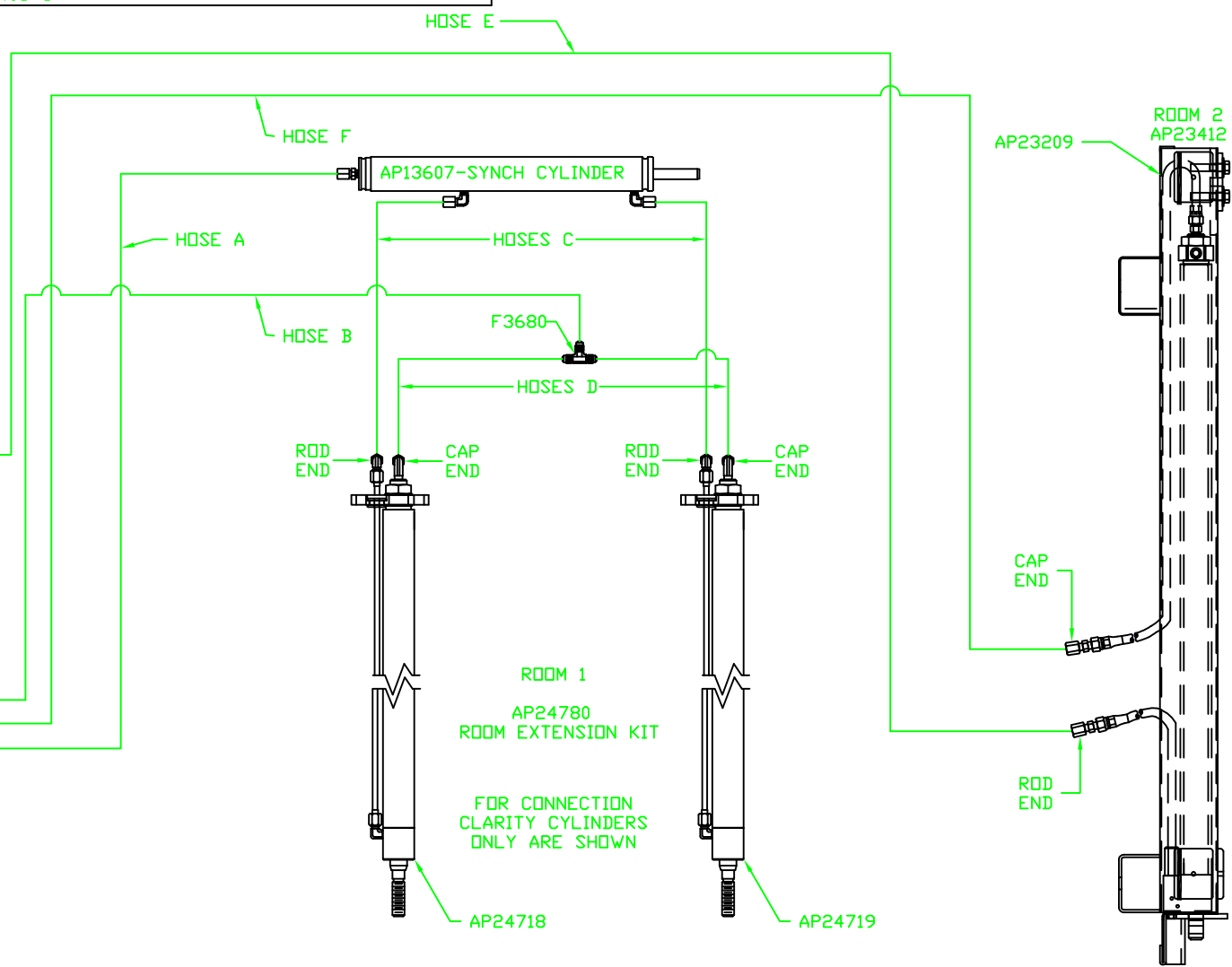
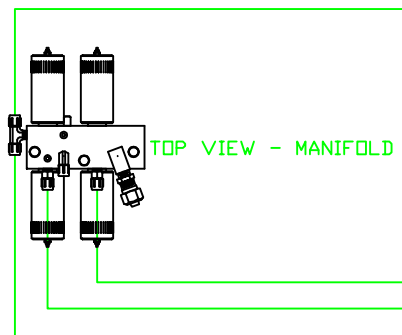
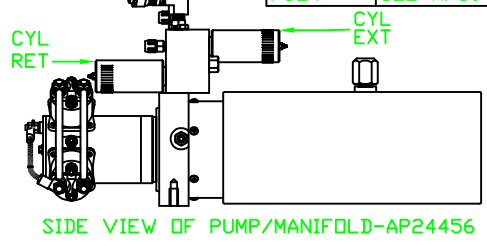
LEVELING SYSTEM: AP24612

		HWH		I-80 EXIT 267 SOUTH RT 1 MOSCOW, IOWA 52760	
		SCALE 1:6	DATE 28JUL05	DRAWN BY .	
		HYD CONN DIAGRAM			
NO.	DATE	REVISION			
		WINNEBAGO			
				DRAWING NUMBER MP69408 A/C	

THE INFORMATION DISCLOSED ON THIS DRAWING IS CONFIDENTIAL AND MUST NOT BE DISCLOSED OR USED IN ANY MANNER WHICH WILL BE DETRIMENTAL TO THE HWH CORPORATION

ORIENTATION
 ← FRONT

MODEL	HOSE A	HOSE B	HOSES C	HOSES D	HOSE E	HOSE F
F30W	AP5965	AP7358	AP24642	AP5384	AP6117	AP4669
F32V	SEE MP69408 C					



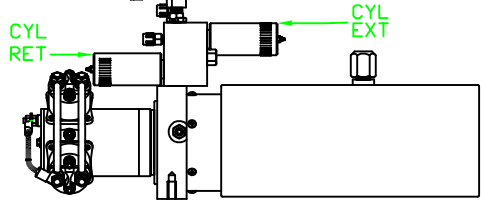
NOTE: HOSES C MUST BE HIGH PRESSURE HOSES OF EQUAL LENGTH AND DIAMETER

NOTE: HOSES D MUST BE EQUAL LENGTH AND DIAMETER

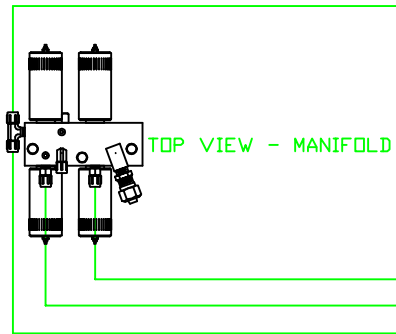
ORIENTATION

← FRONT

MODEL	HOSE A	HOSE B	HOSES C	HOSES D	HOSE E	HOSE F
F30W	SEE MP69408 B					
F32V	AP5965	AP7358	AP24642	AP5384	AP6117	AP4669



SIDE VIEW OF PUMP/MANIFOLD-AP24456



NOTE: HOSES C MUST BE HIGH PRESSURE HOSES OF EQUAL LENGTH AND DIAMETER

NOTE: HOSES D MUST BE EQUAL LENGTH AND DIAMETER

