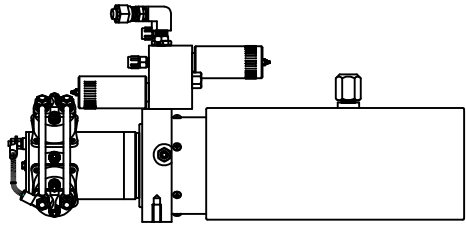
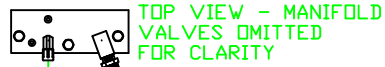


ORIENTATION

← FRONT



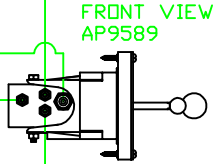
SIDE VIEW OF PUMP/MANIFOLD-AP24456



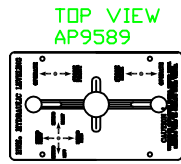
TOP VIEW - MANIFOLD VALVES OMITTED FOR CLARITY

RETURN LINE

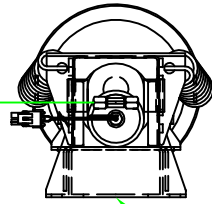
PRESSURE LINE



FRONT VIEW AP9589

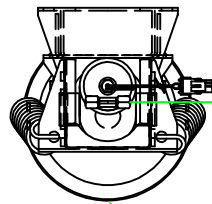


TOP VIEW AP9589



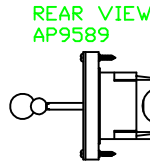
TOP VIEW AP22808 RIGHT FRONT

RIGHT FRONT HOSE



TOP VIEW AP22808 LEFT FRONT

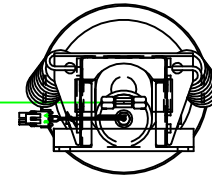
LEFT FRONT HOSE



REAR VIEW AP9589

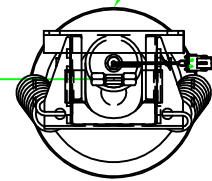
RIGHT REAR HOSE

LEFT REAR HOSE



TOP VIEW AP22657 RIGHT REAR

NOTE: CROSS TIES REQUIRED FOR FRONT AND REAR JACKS



TOP VIEW AP22657 LEFT REAR

MODEL	HOSE KIT	LF HOSE	RF HOSE	RR HOSE	LR HOSE	PRESSURE	RETURN
F34D	AP0013	AP4073	AP7099	AP5561	AP4904	AP4074	P7335
F36M	AP0013	AP4073	AP7099	AP5561	AP4904	AP4074	P7335
F32V	AP0013	AP4073	AP7099	AP5561	AP4904	AP4074	P7335

LEVELING SYSTEM: AP25726

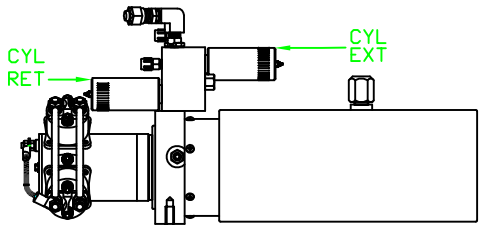
		HWH		I-80 EXIT 267 SOUTH RT 1 MOSCOW, IOWA 52760	
		SCALE 1:6	DATE 28JUL05	DRAWN BY .	
		HYD CONN DIAGRAM			
NO.	DATE	REVISION			
		WINNEBAGO		DRAWING NUMBER MP69409 A/B	

THE INFORMATION DISCLOSED ON THIS DRAWING IS CONFIDENTIAL AND MUST NOT BE DISCLOSED OR USED IN ANY MANNER WHICH WILL BE DETRIMENTAL TO THE HWH CORPORATION

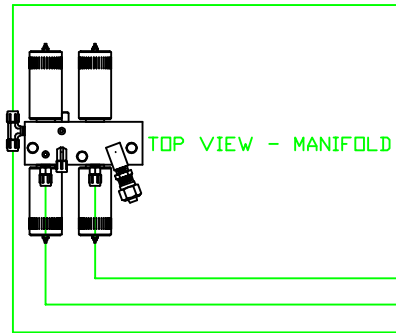
ORIENTATION

← FRONT

MODEL	HOSE A	HOSE B	HOSES C	HOSES D	HOSE E	HOSE F
F34D	AP5965	AP7358	AP24642	AP5384	AP6117	AP4669
F36M	AP5965	AP7358	AP24642	AP5384	AP6117	AP4669
F32V	AP5965	AP7358	AP24642	AP5384	AP6117	AP4669

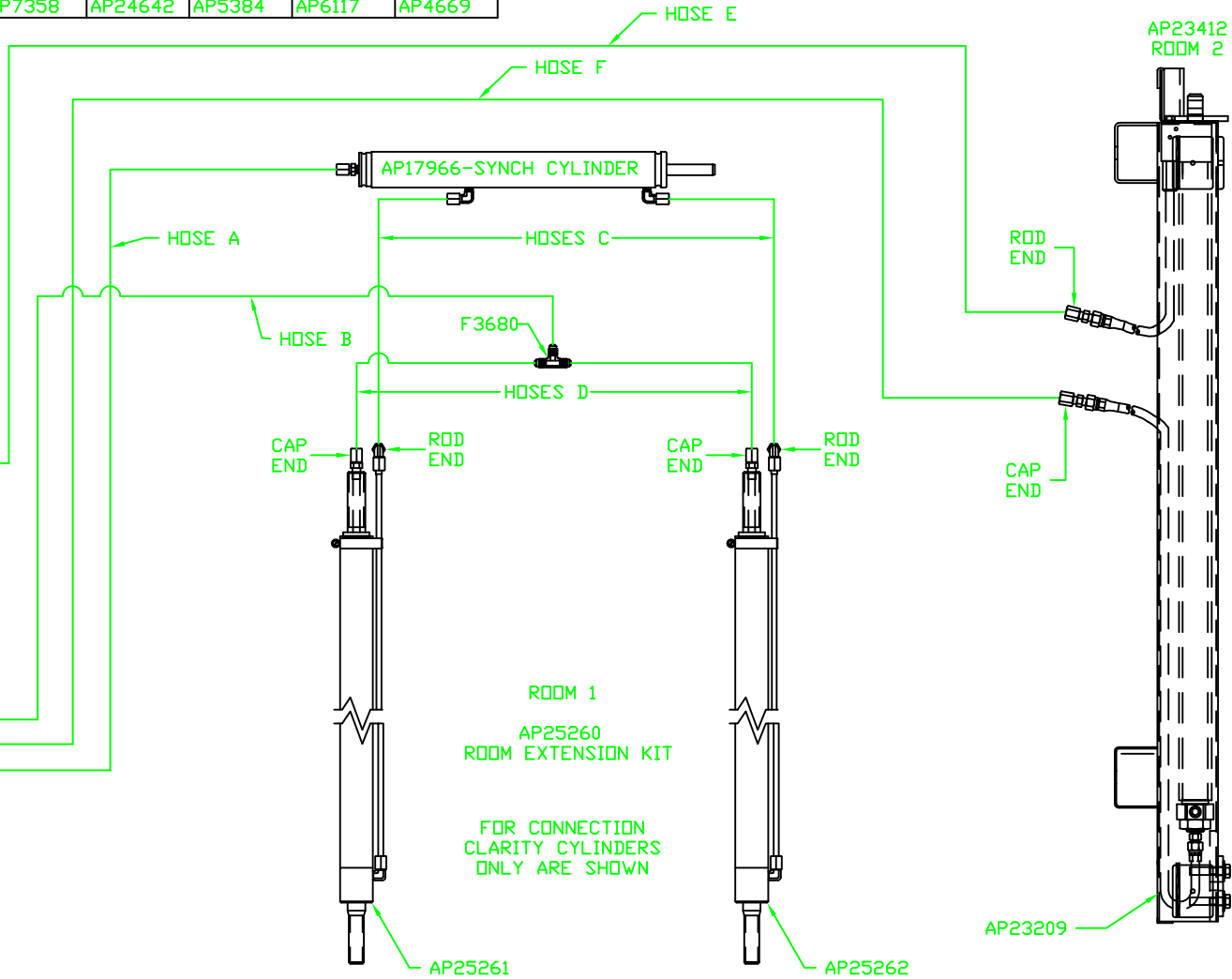


SIDE VIEW OF PUMP/MANIFOLD-AP24456



NOTE: HOSES C MUST BE HIGH PRESSURE HOSES OF EQUAL LENGTH AND DIAMETER

NOTE: HOSES D MUST BE EQUAL LENGTH AND DIAMETER



FOR CONNECTION CLARITY CYLINDERS ONLY ARE SHOWN