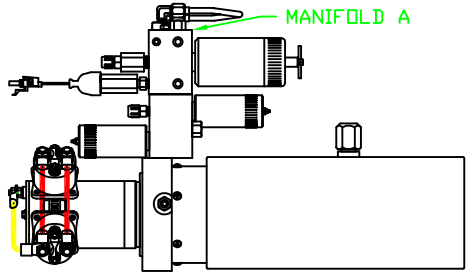
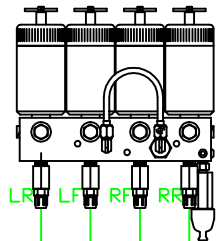


ORIENTATION
← FRONT



SIDE VIEW OF PUMP/MANIFOLD-AP24800

TOP VIEW - MANIFOLD A

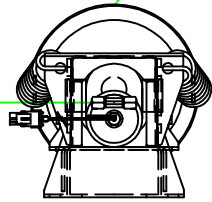


LR LF RF RR

RIGHT FRONT HOSE

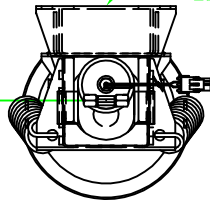
LEFT FRONT HOSE

TOP VIEW AP22808 RIGHT FRONT

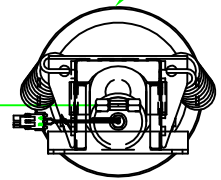


NOTE: CROSS TIES REQUIRED FOR FRONT AND REAR JACKS

TOP VIEW AP22808 LEFT FRONT



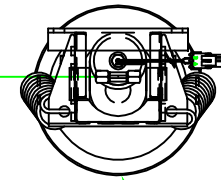
TOP VIEW AP22657 RIGHT REAR



RIGHT REAR HOSE

LEFT REAR HOSE

TOP VIEW AP22657 LEFT REAR



MODEL	HOSE KIT	LF HOSE	RF HOSE	RR HOSE	LR HOSE
G35U	AP19681	AP5352	AP2443	AP4164	AP4163
G32V	AP19681	AP5352	AP2443	AP4164	AP4163
G33V	AP19681	AP5352	AP2443	AP4164	AP4163
G37C	*AP19681	AP5352	AP2443	AP4164	AP4163
G31Y	AP19681	AP5352	AP2443	AP4164	AP4163
G38G	AP19679	AP5352	AP2443	AP27563	AP4312
G38R	AP19679	AP5352	AP2443	AP27563	AP4312

*AP19679 FOR 2004 PRODUCTION MODELS

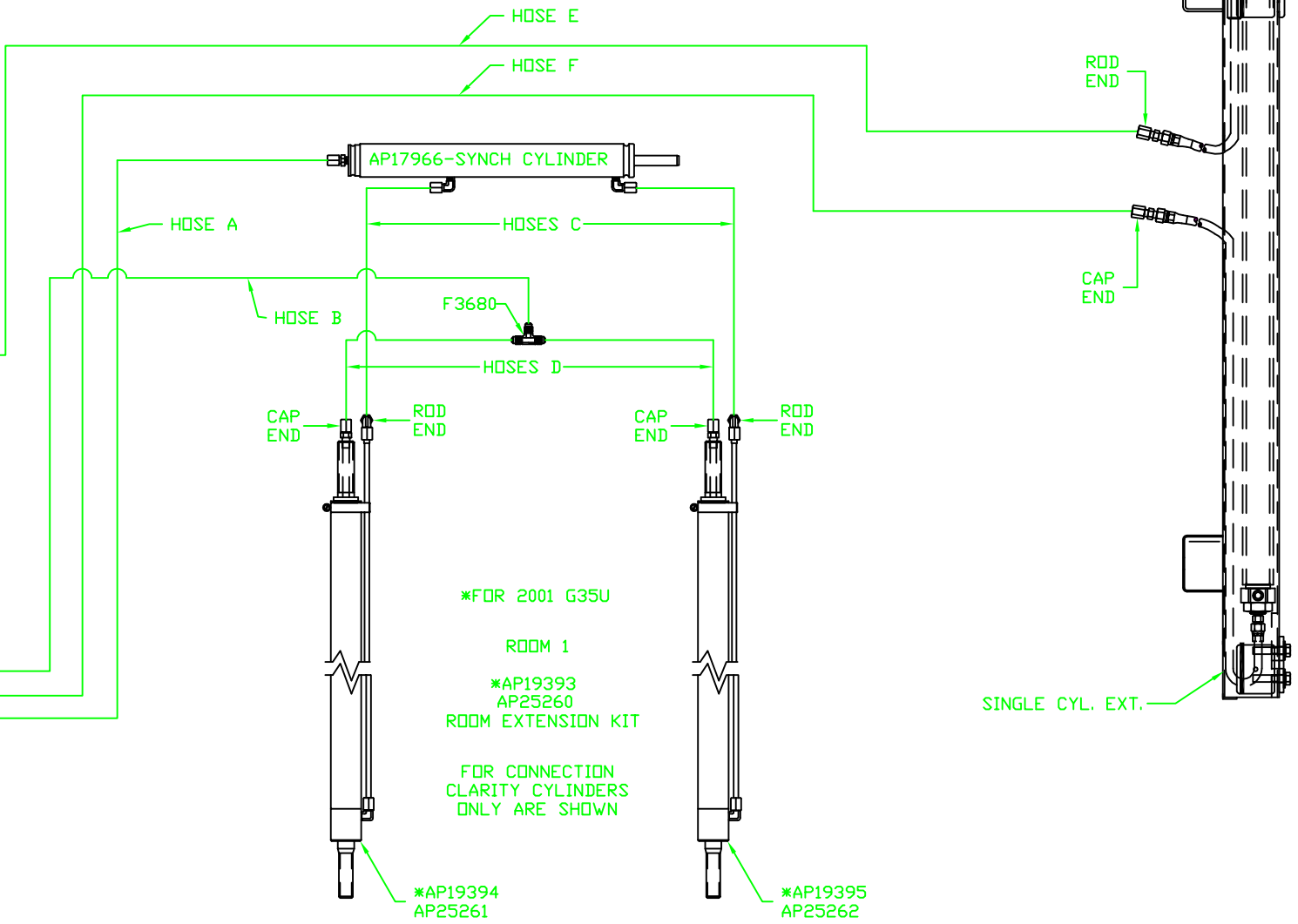
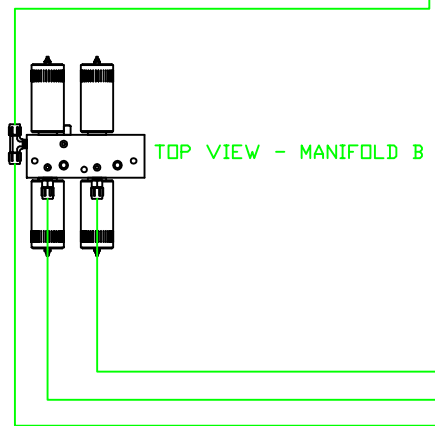
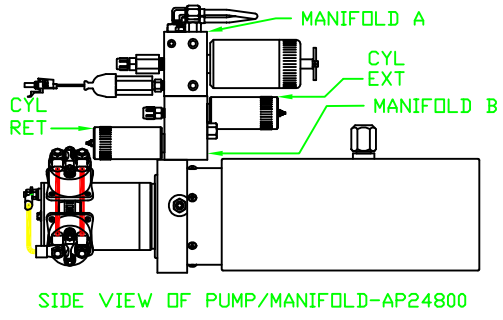
LEVELING SYSTEM: AP22650

		HWH		I-80 EXIT 267 SOUTH RT 1 MOSCOW, IOWA 52760	
		SCALE 1:6	DATE 10AUG05	DRAWN BY .	
		HYD CONN DIAGRAM			
NO.	DATE	REVISION			
THE INFORMATION DISCLOSED ON THIS DRAWING IS CONFIDENTIAL AND MUST NOT BE DISCLOSED OR USED IN ANY MANNER WHICH WILL BE DETRIMENTAL TO THE HWH CORPORATION		WINNEBAGO		DRAWING NUMBER MP69411 A/D	

ORIENTATION
 ← FRONT

MODEL	HOSE A	HOSE B	HOSES C	HOSES D	HOSE E	HOSE F	ROOM 2 KIT	SINGLE CYL. EXT.
G35U	AP5965	AP7358	AP24642	AP5384	AP6117	AP4669	AP19506	AP19079
G32V	AP5965	AP7358	AP24642	AP5384	AP6117	AP4669	AP23412	AP23209
G33V	AP5965	AP7358	AP24642	AP5384	AP6117	AP4669	AP23412	AP23209
G37C	SEE MP69411 C							

THIS SHEET IS FOR 2001, 2002, AND 2003 PRODUCTION MODELS.



NOTE: HOSES C MUST BE HIGH PRESSURE HOSES OF EQUAL LENGTH AND DIAMETER

NOTE: HOSES D MUST BE EQUAL LENGTH AND DIAMETER

*FOR 2001 G35U
 ROOM 1
 *AP19393
 AP25260
 ROOM EXTENSION KIT

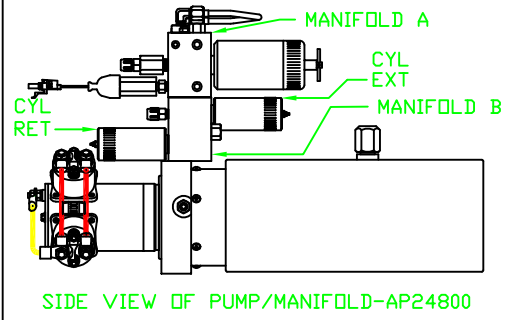
FOR CONNECTION CLARITY CYLINDERS ONLY ARE SHOWN

ORIENTATION
 ← FRONT

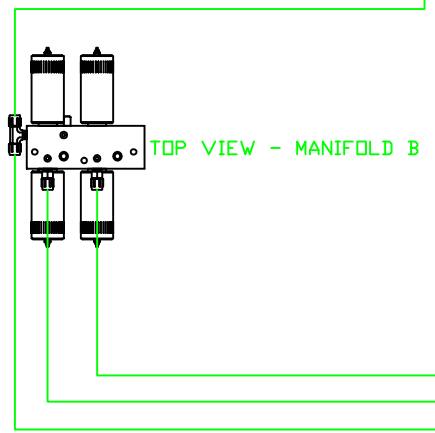
MODEL	HOSE A	HOSE B	HOSES C	HOSES D	HOSE E	HOSE F
G37C	AP5965	AP7358	AP24642	AP5384	AP6117	AP4669
G31Y	SEE MP69411 D					
G33V	SEE MP69411 D					
G35U	SEE MP69411 D					
G38G	SEE MP69411 D					
G38R	SEE MP69411 D					

THIS SHEET IS FOR 2003 AND 2004 PRODUCTION MODELS.

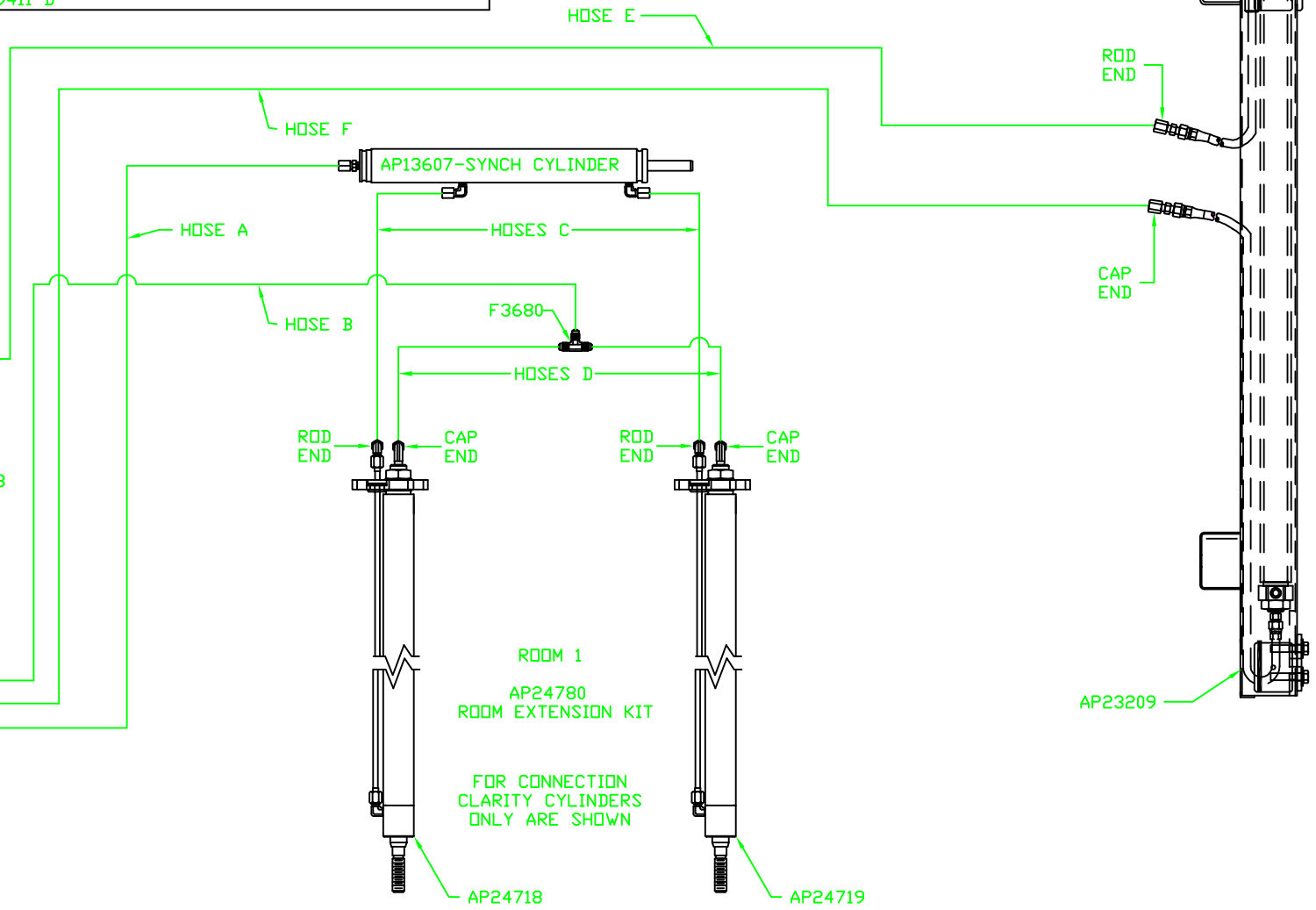
ROOM 2
 AP23412



SIDE VIEW OF PUMP/MANIFOLD-AP24800



TOP VIEW - MANIFOLD B



NOTE: HOSES C MUST BE HIGH PRESSURE HOSES OF EQUAL LENGTH AND DIAMETER

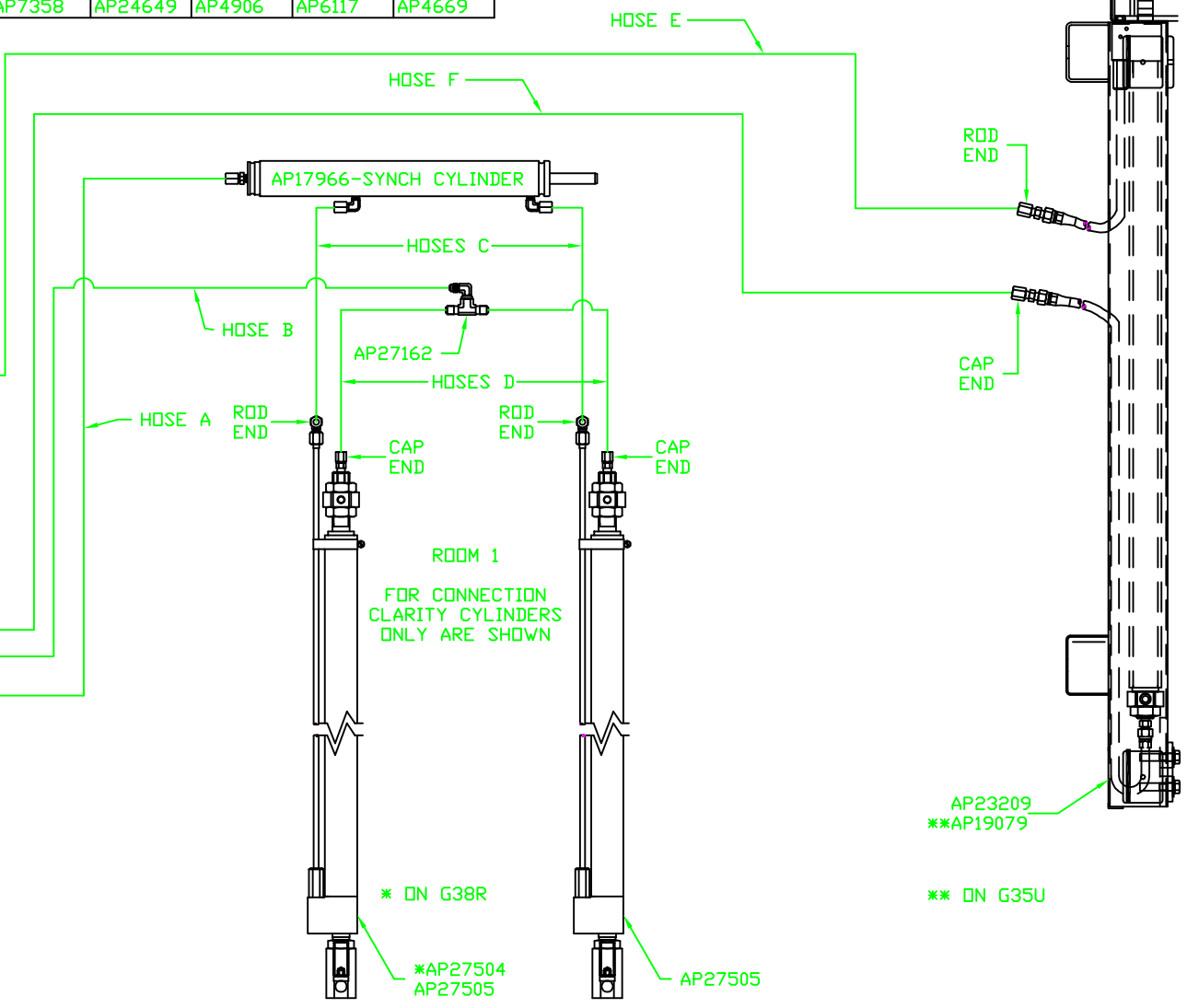
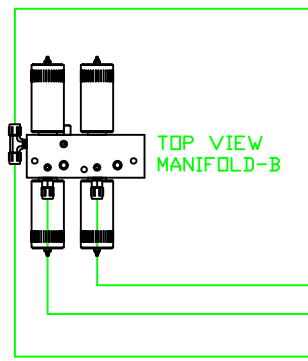
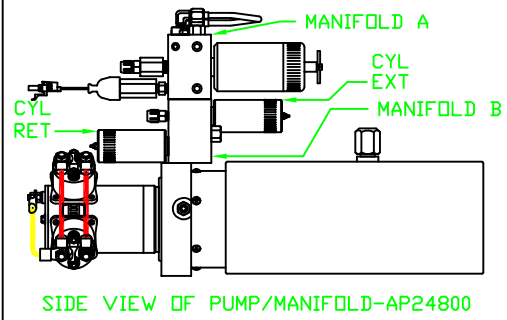
NOTE: HOSES D MUST BE EQUAL LENGTH AND DIAMETER

FOR CONNECTION CLARITY CYLINDERS ONLY ARE SHOWN

ORIENTATION
 ← FRONT

MODEL	HOSE A	HOSE B	HOSES C	HOSES D	HOSE E	HOSE F
G37C	SEE MP69411 C					
G31Y	AP5965	AP7358	AP24649	AP4906	AP6117	AP4669
G33V	AP5965	AP7358	AP24649	AP4906	AP6117	AP4669
G35U	AP5965	AP7358	AP24649	AP4906	AP6117	AP4669
G38G	AP5965	AP7358	AP24649	AP4906	AP6117	AP4669
G38R	AP5965	AP7358	AP24649	AP4906	AP6117	AP4669

THIS SHEET IS FOR 2004 PRODUCTION MODELS.



NOTE: HOSES C MUST BE HIGH PRESSURE HOSES OF EQUAL LENGTH AND DIAMETER

NOTE: HOSES D MUST BE EQUAL LENGTH AND DIAMETER