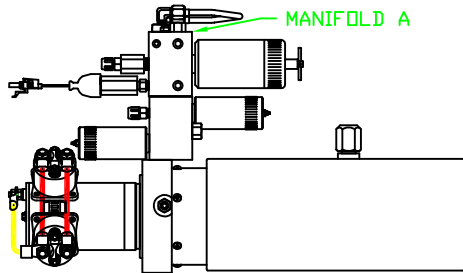
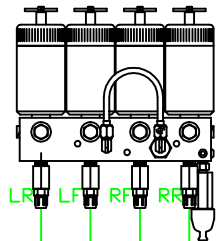


ORIENTATION
← FRONT



SIDE VIEW OF PUMP/MANIFOLD-AP19561
SOME POWER UNITS HAVE LARGE VALVES

TOP VIEW - MANIFOLD A

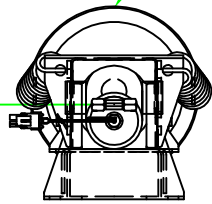


LR LF RF RR

RIGHT FRONT HOSE

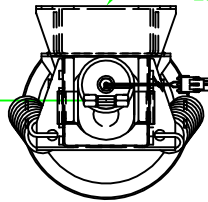
LEFT FRONT HOSE

TOP VIEW AP22808
RIGHT FRONT

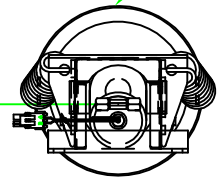


NOTE: CROSS TIES REQUIRED FOR FRONT AND REAR JACKS

TOP VIEW AP31656
LEFT FRONT



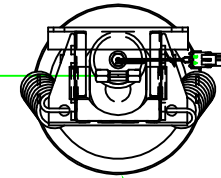
TOP VIEW AP22657
RIGHT REAR



RIGHT REAR HOSE

LEFT REAR HOSE

TOP VIEW AP22657
LEFT REAR



MODEL	HOSE KIT	LF HOSE	RF HOSE	RR HOSE	LR HOSE
G35S	AP19681	AP5352	AP2443	AP4164	AP4163
G38S	AP19681	AP5352	AP2443	AP4164	AP4163
G38G	AP19679	AP5352	AP2443	AP27563	AP4312
*G38S	AP19679	AP5352	AP2443	AP27563	AP4312

*2004 PRODUCTION MODEL

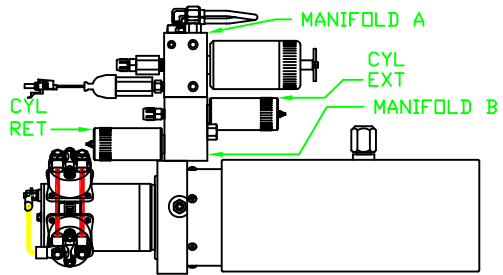
LEVELING SYSTEM: AP21249

		HWH I-80 EXIT 267 SOUTH RT 1 MOSCOW, IOWA 52760	
		SCALE 1:6	DATE 11AUG05
		DRAWN BY .	
NO. DATE REVISION		HYD CONN DIAGRAM	
THE INFORMATION DISCLOSED ON THIS DRAWING IS CONFIDENTIAL AND MUST NOT BE DISCLOSED OR USED IN ANY MANNER WHICH WILL BE DETRIMENTAL TO THE HWH CORPORATION		WINNEBAGO	DRAWING NUMBER MP69413 A/B

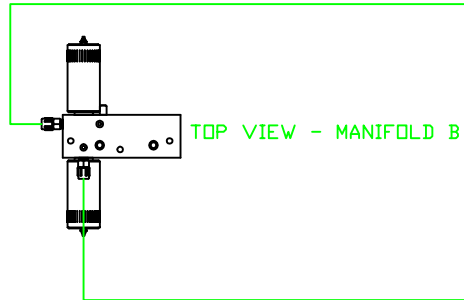
ORIENTATION

← FRONT

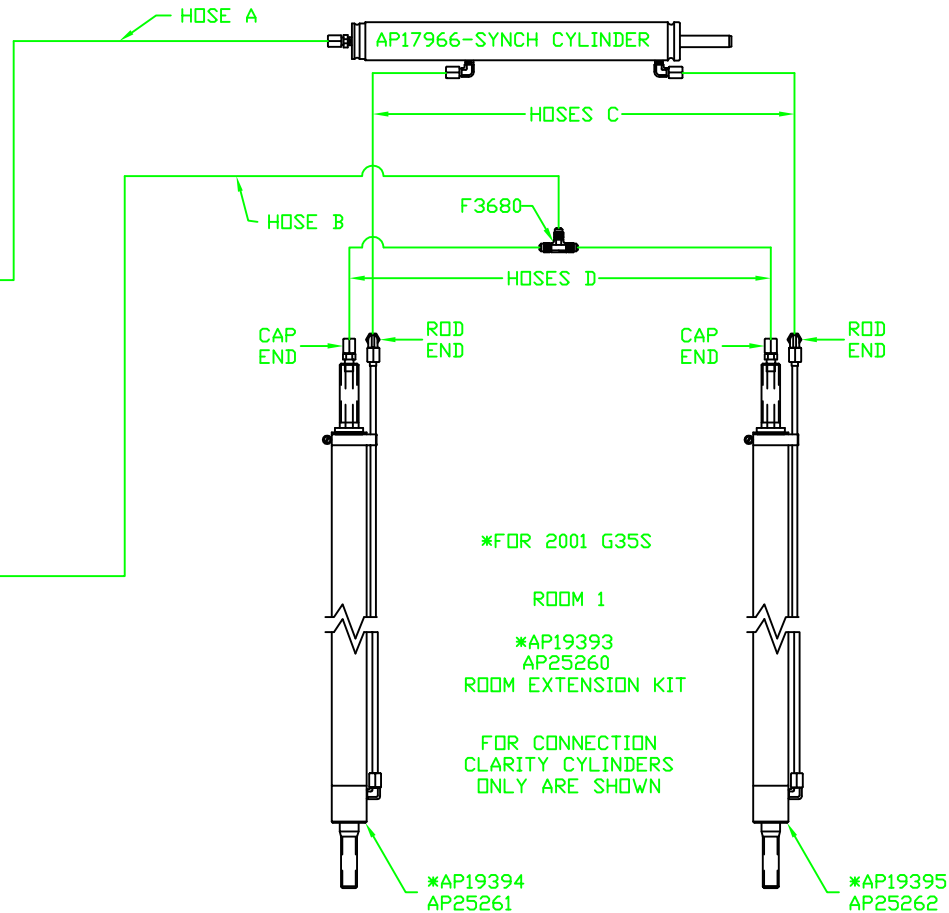
MODEL	HOSE A	HOSE B	HOSES C	HOSES D
G35S	AP5965	AP7358	AP24642	AP5384
G38S	AP5965	AP7358	AP24642	AP5384
G37G	AP5965	AP7358	AP24642	AP5384



SIDE VIEW OF PUMP/MANIFOLD-AP19561
SOME POWER UNITS HAVE LARGE VALVES



TOP VIEW - MANIFOLD B



*FOR 2001 G35S
ROOM 1
*AP19393
AP25260
ROOM EXTENSION KIT

FOR CONNECTION
CLARITY CYLINDERS
ONLY ARE SHOWN

NOTE: HOSES C MUST BE HIGH
PRESSURE HOSES OF EQUAL
LENGTH AND DIAMETER

NOTE: HOSES D MUST BE
EQUAL LENGTH AND DIAMETER