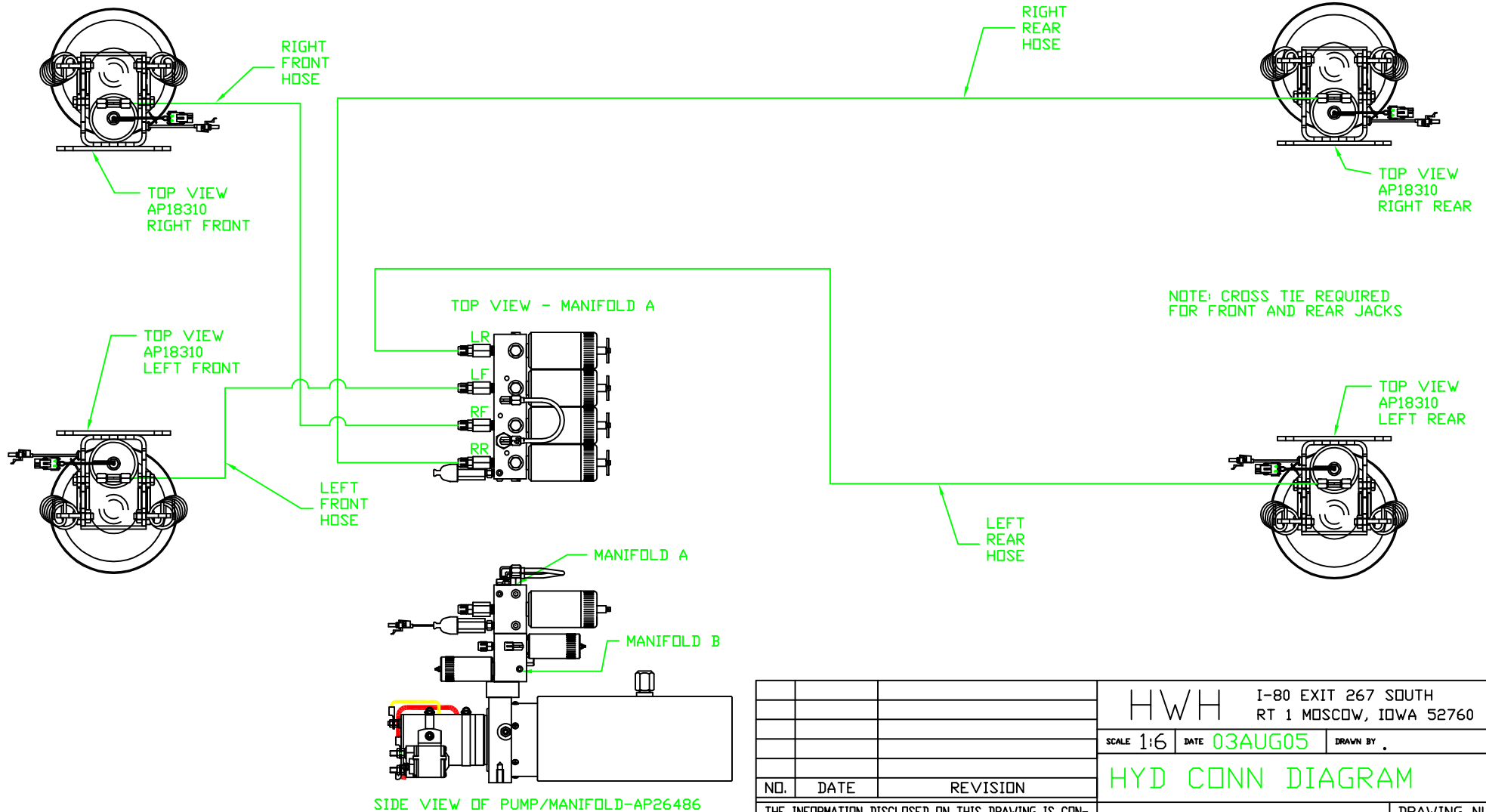


ORIENTATION
← FRONT

MODEL	HOSE KIT	LF HOSE	RF HOSE	RR HOSE	LR HOSE
Q40K	AP24925	AP4162	AP4310	AP6116	AP5562
Q40ED	AP24925	AP4162	AP4310	AP6116	AP5562
Q40KD	AP24925	AP4162	AP4310	AP6116	AP5562



SIDE VIEW OF PUMP/MANIFOLD-AP26486

LEVELING SYSTEM: AP26307

		HWH I-80 EXIT 267 SOUTH RT 1 MOSCOW, IOWA 52760	
SCALE 1:6	DATE 03AUG05	DRAWN BY .	
HYD CONN DIAGRAM			
NO.	DATE	REVISION	
THE INFORMATION DISCLOSED ON THIS DRAWING IS CONFIDENTIAL AND MUST NOT BE DISCLOSED OR USED IN ANY MANNER WHICH WILL BE DETRIMENTAL TO THE HWH CORPORATION			
WINNEBAGO			DRAWING NUMBER MP69416 A/E

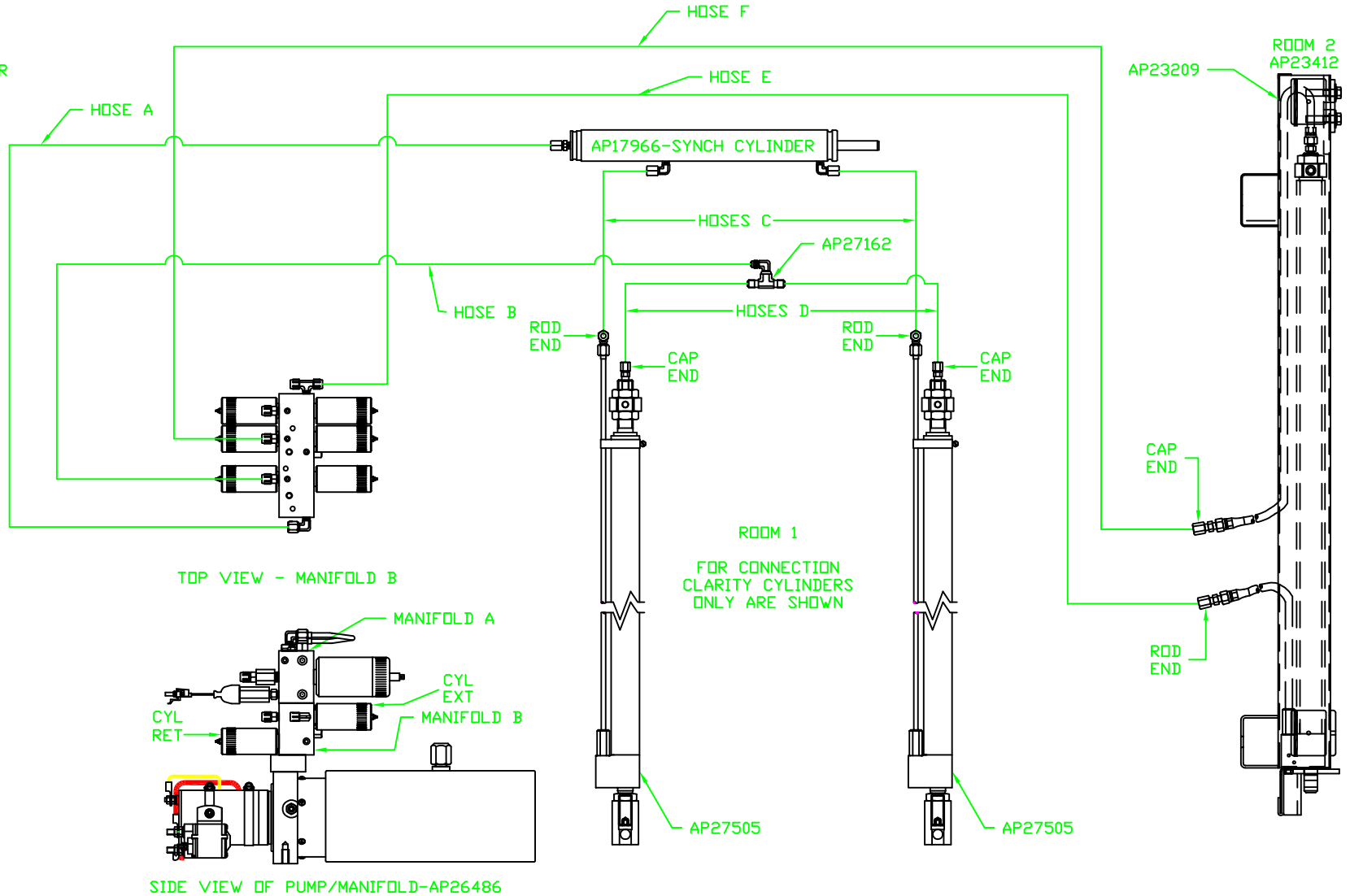
ORIENTATION

← FRONT

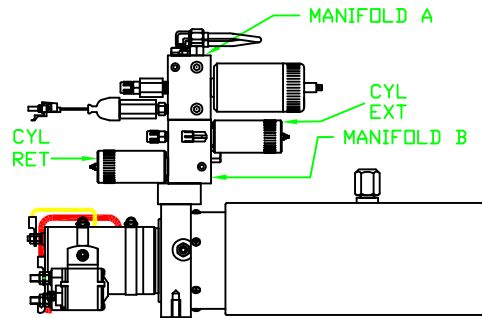
MODEL	HOSE A	HOSE B	HOSES C	HOSES D	HOSE E	HOSE F
Q40K	AP4074	AP4906	AP24649	AP2443	AP6216	AP7385
Q40ED	SEE MP69416 D					
Q40KD	AP4074	AP4906	AP24649	AP2443	AP6216	AP7385

NOTE: HOSES C MUST BE HIGH PRESSURE HOSES OF EQUAL LENGTH AND DIAMETER

NOTE: HOSES D MUST BE EQUAL LENGTH AND DIAMETER



TOP VIEW - MANIFOLD B

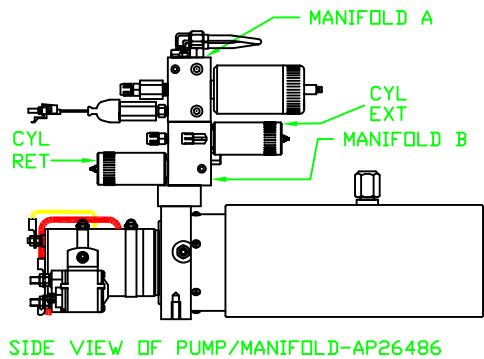
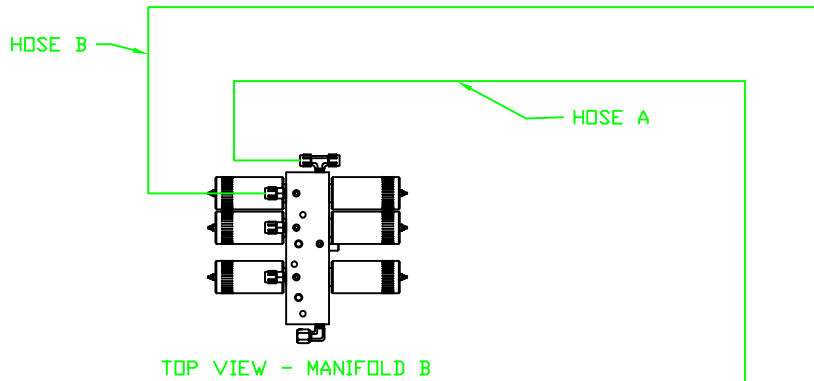


SIDE VIEW OF PUMP/MANIFOLD-AP26486

ORIENTATION

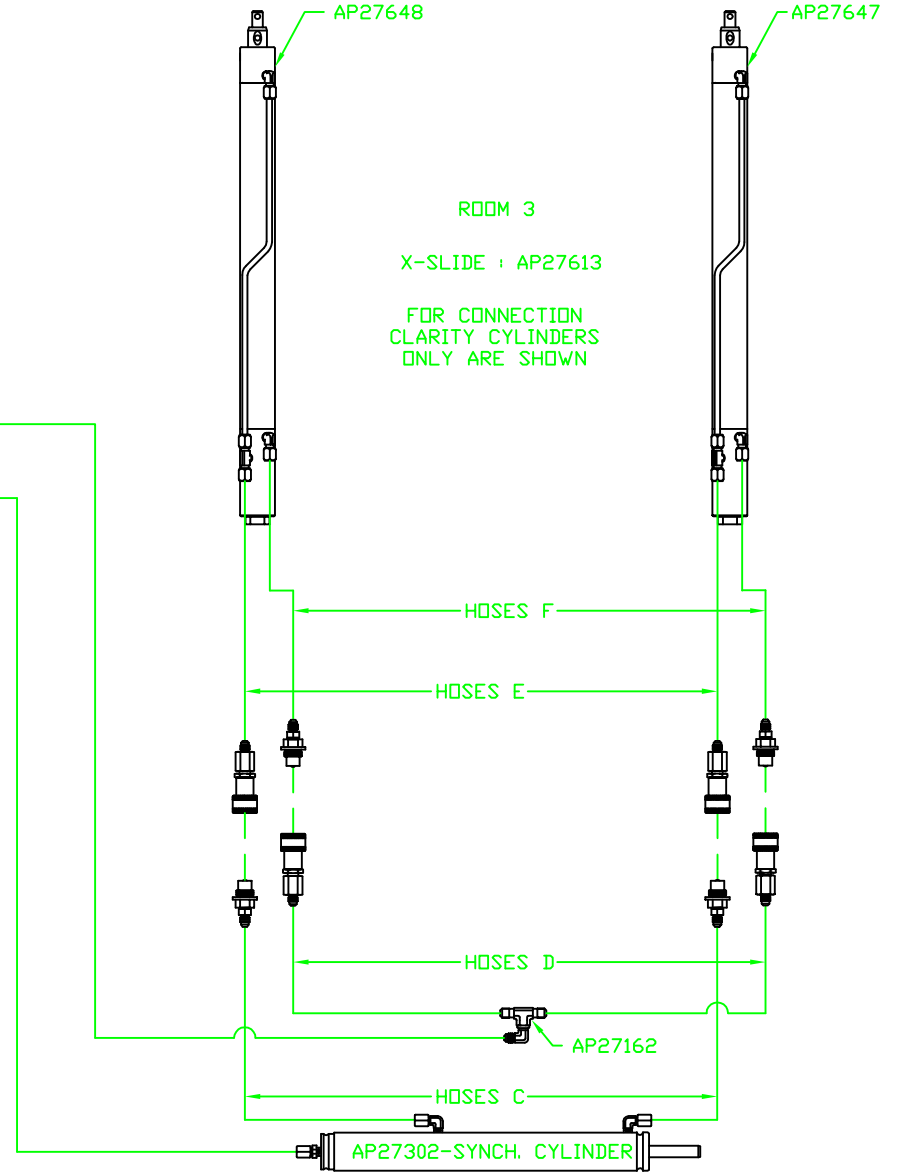
← FRONT

MODEL	HOSE A	HOSE B	HOSES C	HOSES D	HOSES E	HOSES F
Q40K	AP11212	AP5924	AP29207	AP29206	AP29209	AP29208
Q40ED	SEE MP69416 E					
Q40KD	AP11212	AP5924	AP29207	AP29206	AP29209	AP29208



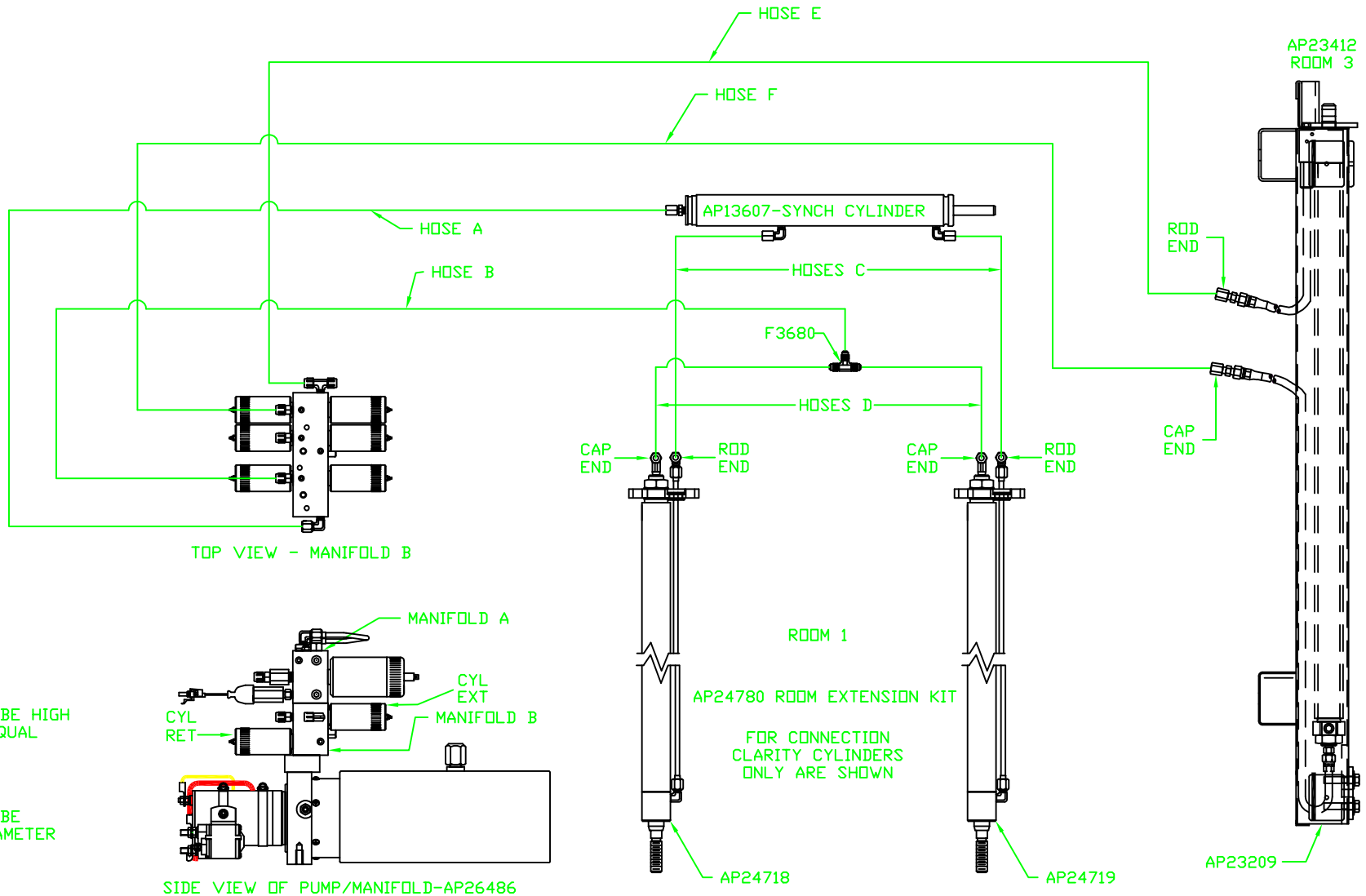
NOTES

1. HOSES C MUST BE HIGH PRESSURE HOSES OF EQUAL LENGTH AND DIAMETER
2. HOSES D MUST BE EQUAL LENGTH AND DIAMETER
3. HOSES E AND F ARE INCLUDED WITH THE ROOM EXTENSION MECHANISM
4. HOSES E MUST BE HIGH PRESSURE HOSES OF EQUAL LENGTH AND DIAMETER
5. HOSES F MUST BE EQUAL LENGTH AND DIAMETER



ORIENTATION
 ← FRONT

MODEL	HOSE A	HOSE B	HOSES C	HOSES D	HOSE E	HOSE F
Q40K	SEE MP69416 B					
Q40ED	AP5924	AP11212	AP24642	AP5384	NO INFO AVAILABLE	
Q40KD	SEE MP69416 B					



NOTE: HOSES C MUST BE HIGH PRESSURE HOSES OF EQUAL LENGTH AND DIAMETER

NOTE: HOSES D MUST BE EQUAL LENGTH AND DIAMETER

SIDE VIEW OF PUMP/MANIFOLD-AP26486

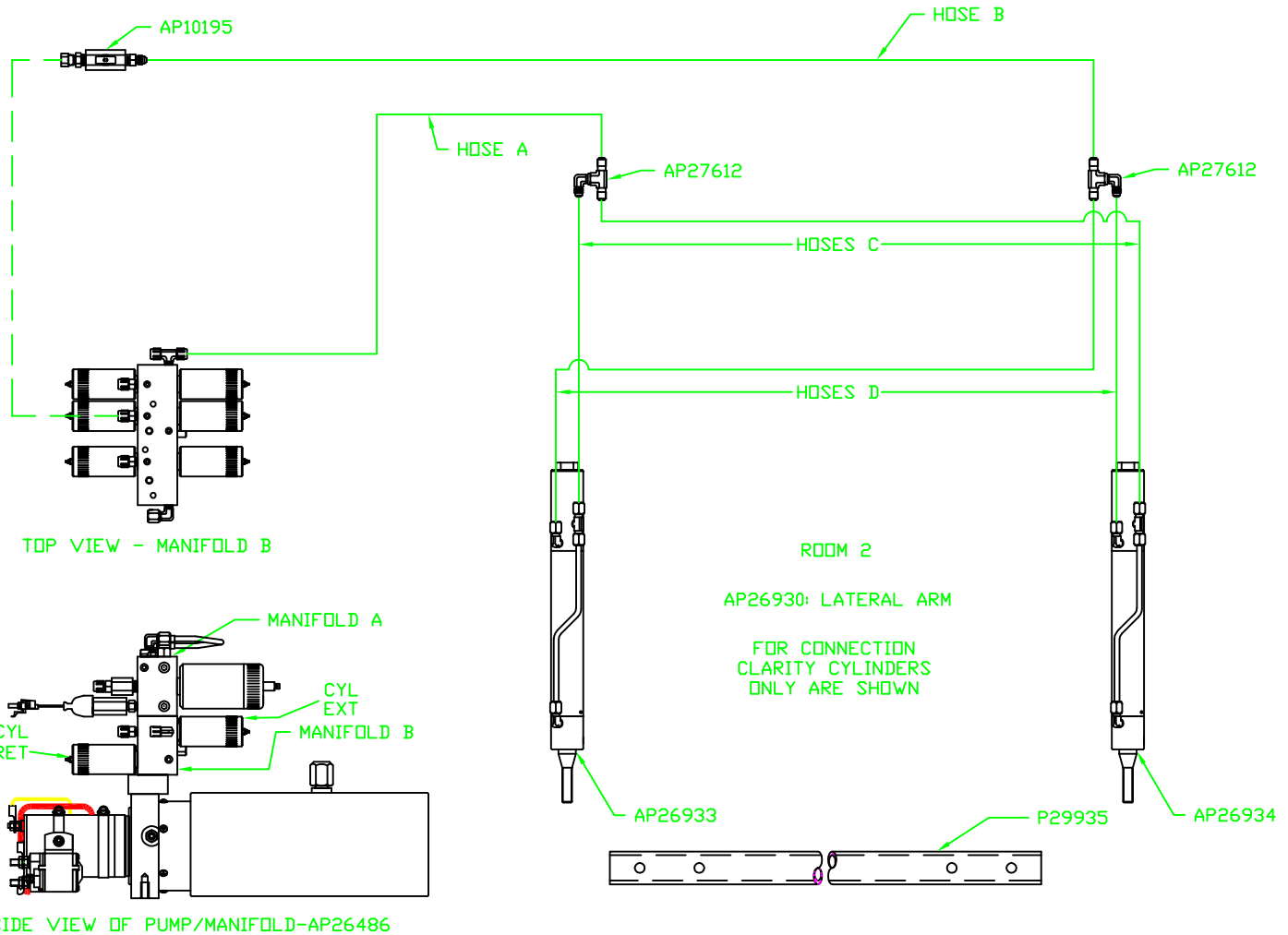
ORIENTATION

← FRONT

MODEL	HOSE A	HOSE B	HOSES C	HOSES D
Q40K	SEE MP69416 C			
Q40ED	AP6216	AP7384	AP24641	AP24640
Q40KD	SEE MP69416 C			

NOTES

1. HOSES C MUST BE HIGH PRESSURE HOSES OF EQUAL LENGTH AND DIAMETER
2. HOSES D MUST BE EQUAL LENGTH AND DIAMETER
3. HOSES C AND D ARE INCLUDED WITH THE ROOM EXTENSION MECHANISM
4. P29935 IS NOT INCLUDED WITH AP26930 AND IS SHIPPED SEPARATELY



TOP VIEW - MANIFOLD B

SIDE VIEW OF PUMP/MANIFOLD-AP26486