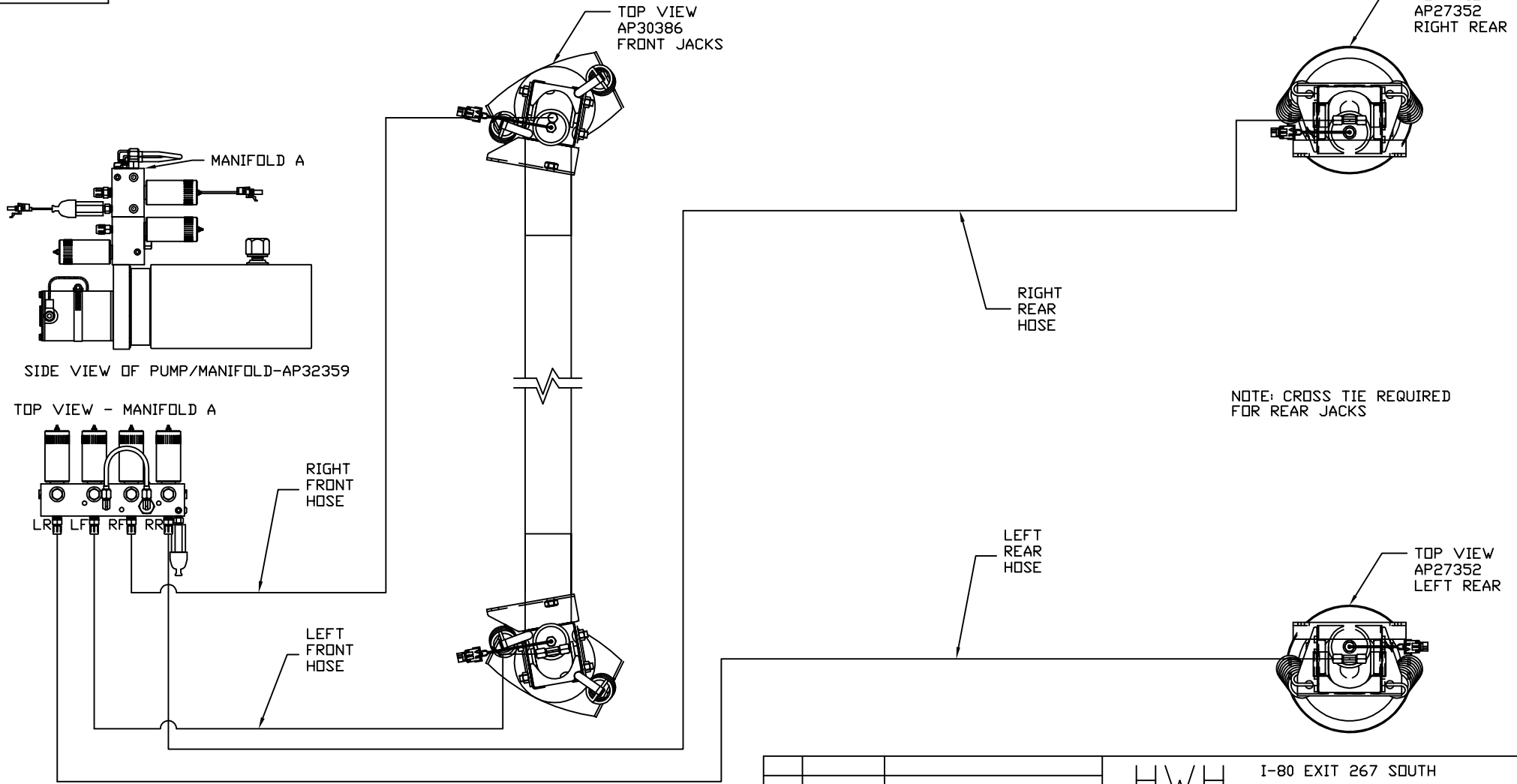


ORIENTATION
← FRONT



MODEL	HOSE KIT	LF HOSE	RF HOSE	RR HOSE	LR HOSE
F30W	AP19681	AP5352	AP2443	AP4164	AP4163
F32V	AP19681	AP5352	AP2443	AP4164	AP4163

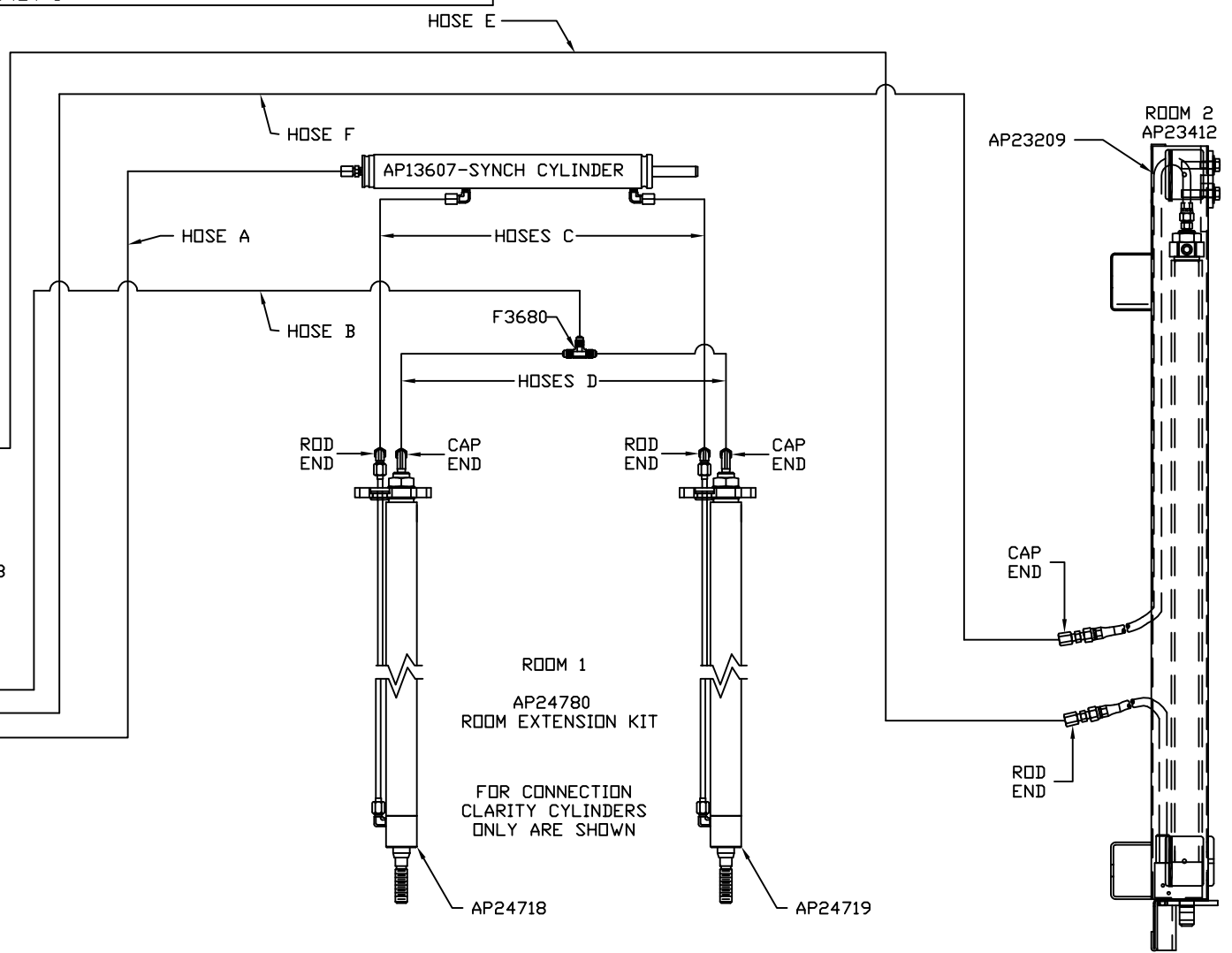
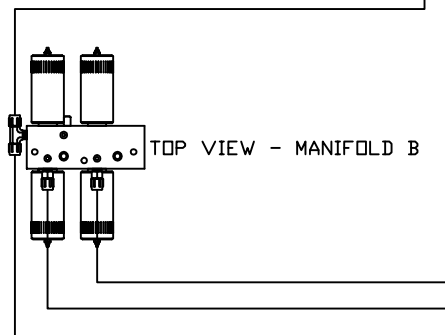
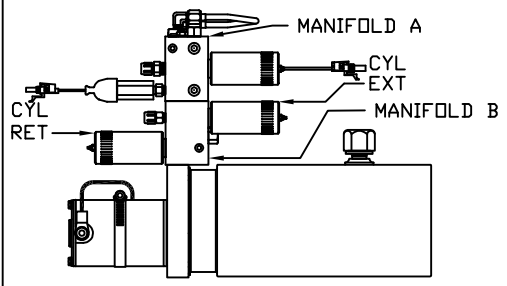
LEVELING SYSTEM: AP31433

		HWH		I-80 EXIT 267 SOUTH RT 1 MOSCOW, IOWA 52760	
		SCALE 1:6	DATE 16MAY05	DRAWN BY .	
		HYD CONN DIAGRAM			
NO.	DATE	REVISION			
		WINNEBAGO		DRAWING NUMBER MP69424 A/C	

THE INFORMATION DISCLOSED ON THIS DRAWING IS CONFIDENTIAL AND MUST NOT BE DISCLOSED OR USED IN ANY MANNER WHICH WILL BE DETRIMENTAL TO THE HWH CORPORATION

ORIENTATION
 ← FRONT

MODEL	HOSE A	HOSE B	HOSES C	HOSES D	HOSE E	HOSE F
F30W	AP5965	AP7358	AP24642	AP5384	AP6117	AP4669
F32V	SEE MP69424 C					

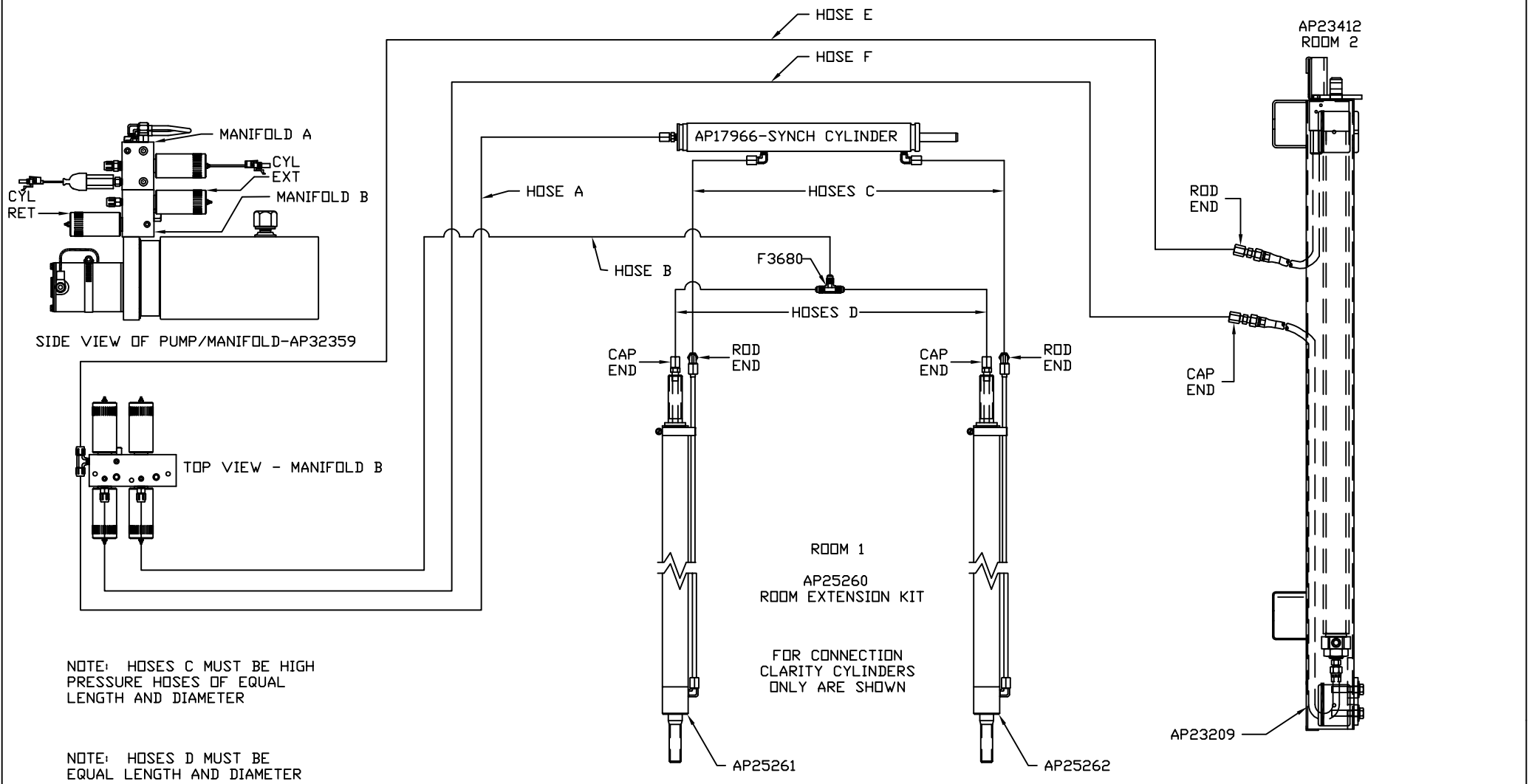


NOTE: HOSES C MUST BE HIGH PRESSURE HOSES OF EQUAL LENGTH AND DIAMETER

NOTE: HOSES D MUST BE EQUAL LENGTH AND DIAMETER

ORIENTATION
← FRONT

MODEL	HOSE A	HOSE B	HOSES C	HOSES D	HOSE E	HOSE F
F30W	SEE MP69424 B					
F32V	AP5965	AP7358	AP24642	AP5384	AP6117	AP4669



NOTE: HOSES C MUST BE HIGH PRESSURE HOSES OF EQUAL LENGTH AND DIAMETER

NOTE: HOSES D MUST BE EQUAL LENGTH AND DIAMETER

ROOM 1
AP25260
ROOM EXTENSION KIT

FOR CONNECTION CLARITY CYLINDERS ONLY ARE SHOWN