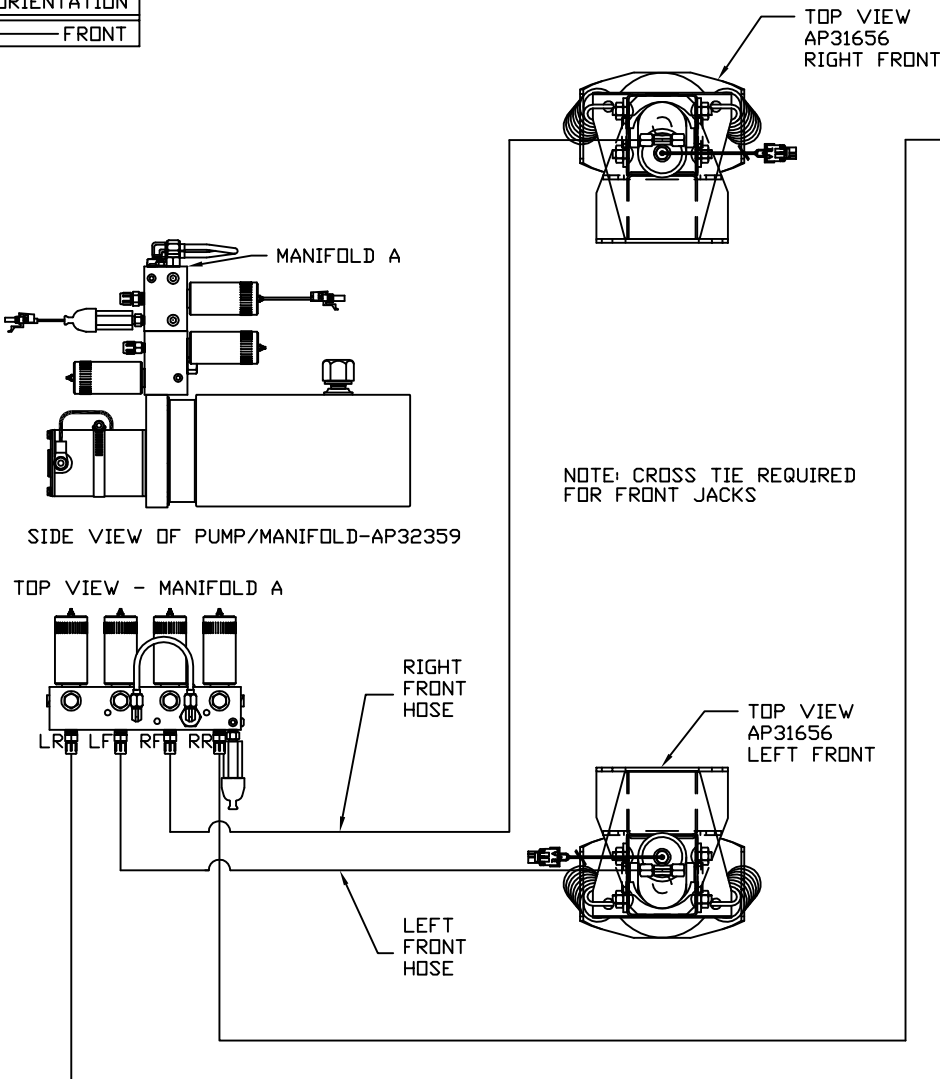
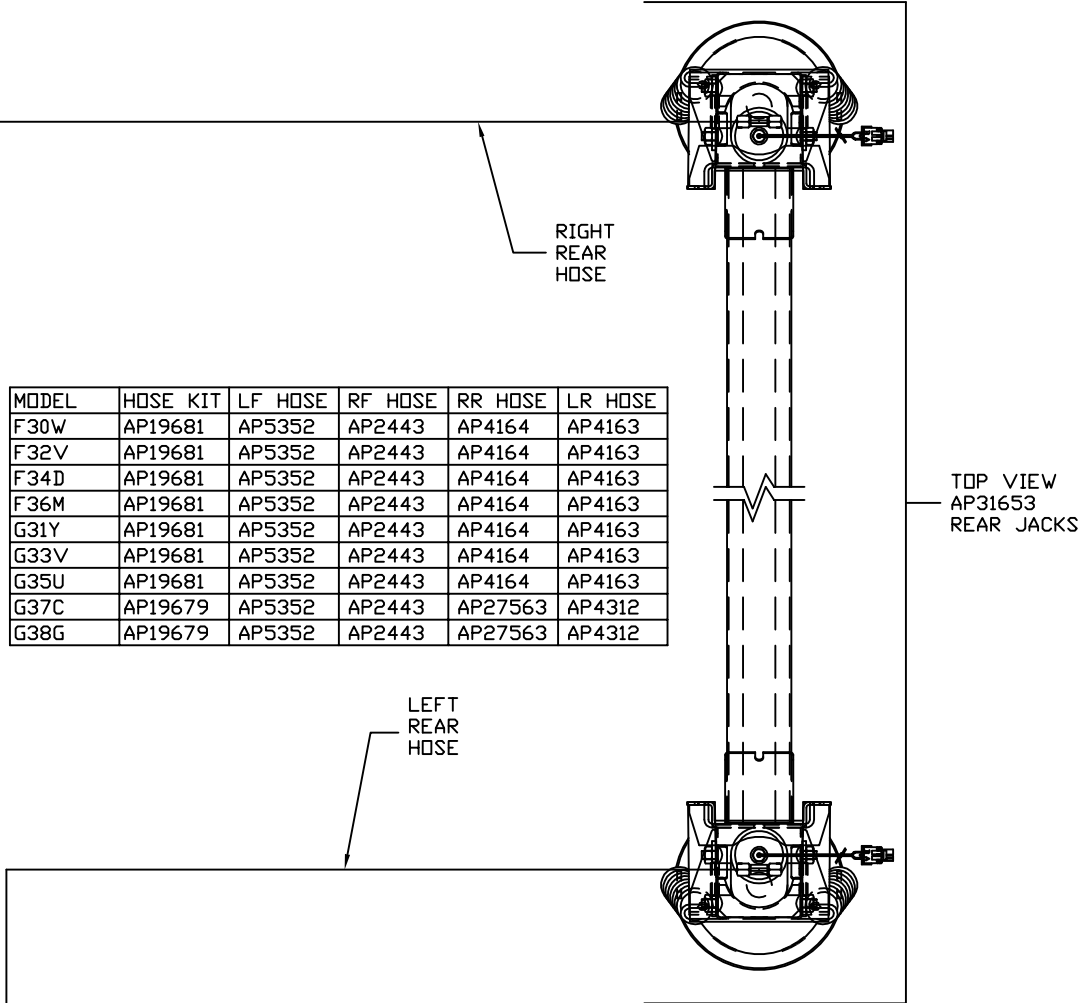


ORIENTATION
← FRONT



NOTE: CROSS TIE REQUIRED FOR FRONT JACKS

MODEL	HOSE KIT	LF HOSE	RF HOSE	RR HOSE	LR HOSE
F30W	AP19681	AP5352	AP2443	AP4164	AP4163
F32V	AP19681	AP5352	AP2443	AP4164	AP4163
F34D	AP19681	AP5352	AP2443	AP4164	AP4163
F36M	AP19681	AP5352	AP2443	AP4164	AP4163
G31Y	AP19681	AP5352	AP2443	AP4164	AP4163
G33V	AP19681	AP5352	AP2443	AP4164	AP4163
G35U	AP19681	AP5352	AP2443	AP4164	AP4163
G37C	AP19679	AP5352	AP2443	AP27563	AP4312
G38G	AP19679	AP5352	AP2443	AP27563	AP4312



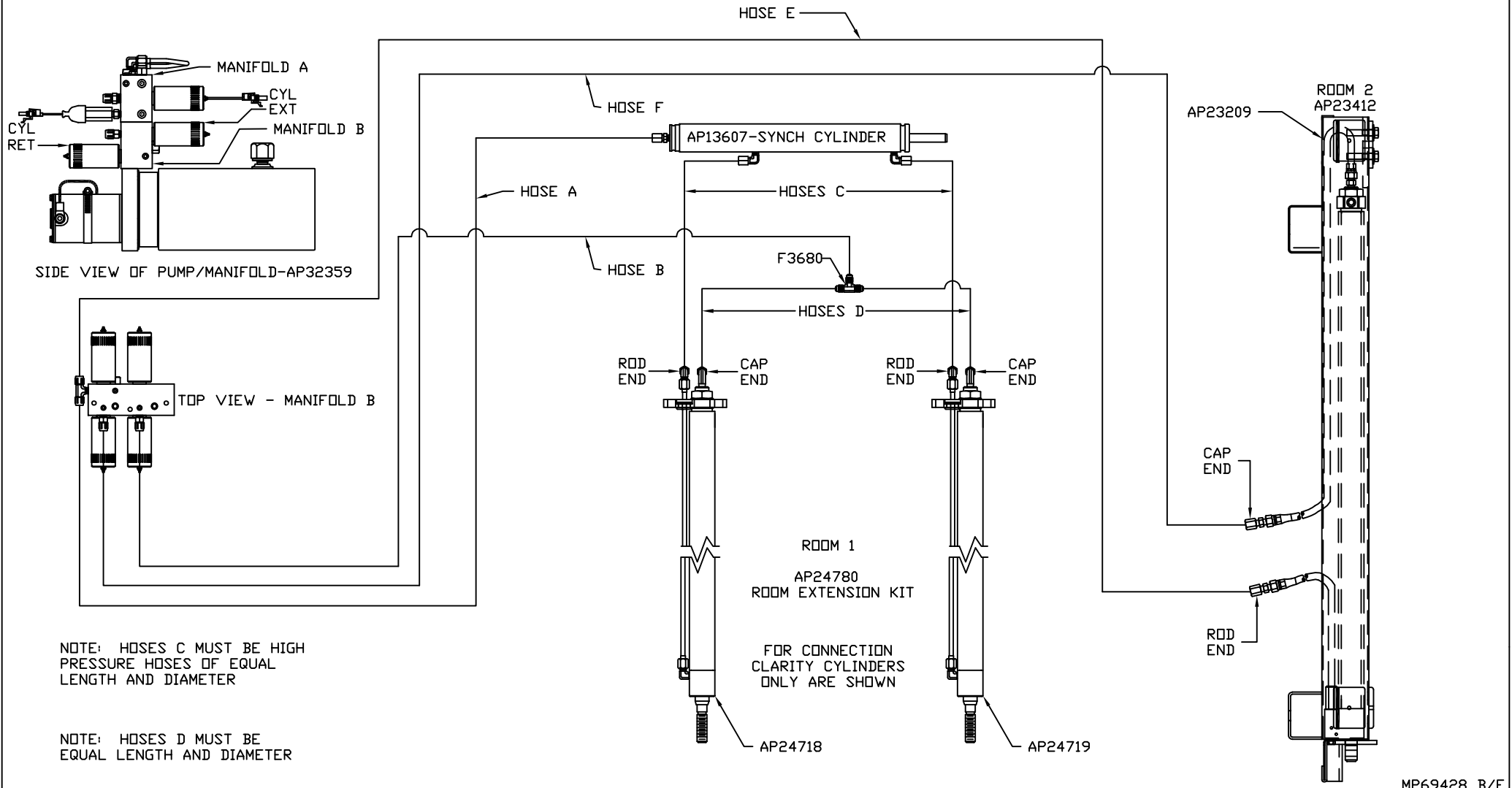
LEVELING SYSTEM: AP31735

		HWH I-80 EXIT 267 SOUTH RT 1 MOSCOW, IOWA 52760	
		SCALE 1:6	DATE 16MAY05
		DRAWN BY .	
		HYD CONN DIAGRAM	
NO.	DATE	REVISION	
		THE INFORMATION DISCLOSED ON THIS DRAWING IS CONFIDENTIAL AND MUST NOT BE DISCLOSED OR USED IN ANY MANNER WHICH WILL BE DETRIMENTAL TO THE HWH CORPORATION	
		WINNEBAGO	DRAWING NUMBER MP69428 A/E

ORIENTATION
 ← FRONT

MODEL	HOSE A	HOSE B	HOSES C	HOSES D	HOSE E	HOSE F
F30W	AP5965	AP7358	AP24642	AP5384	AP6117	AP4669
F32V	SEE MP69428 C					
F34D	SEE MP69428 C					
F36M	SEE MP69428 C					

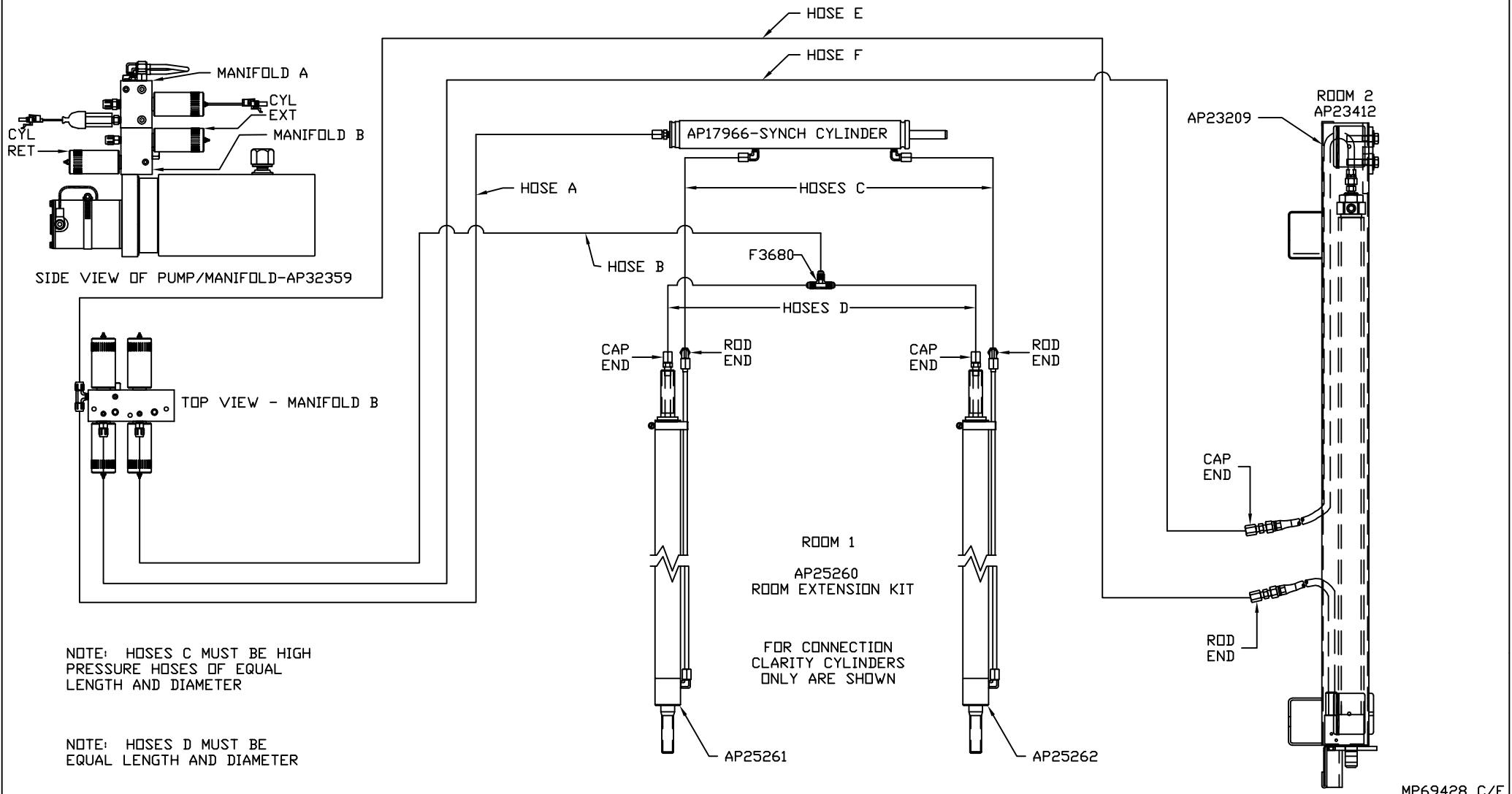
FOR G BODY COACHES
 SEE MP69428 D AND MP69428 E



ORIENTATION
 ← FRONT

MODEL	HOSE A	HOSE B	HOSES C	HOSES D	HOSE E	HOSE F
F30W	SEE MP69428 B					
F32V	AP5965	AP7358	AP24642	AP5384	AP6117	AP4669
F34D	AP5965	AP7358	AP24642	AP5384	AP6117	AP4669
F36M	AP5965	AP7358	AP24642	AP5384	AP6117	AP4669

FOR G BODY COACHES
 SEE MP69428 D AND MP69428 E



NOTE: HOSES C MUST BE HIGH PRESSURE HOSES OF EQUAL LENGTH AND DIAMETER

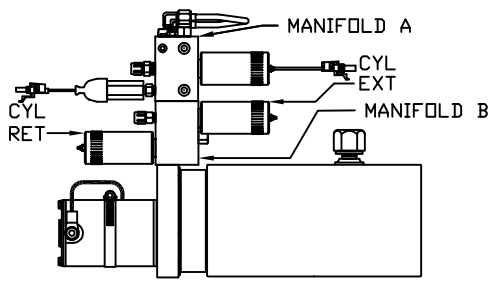
NOTE: HOSES D MUST BE EQUAL LENGTH AND DIAMETER

ORIENTATION
 ← FRONT

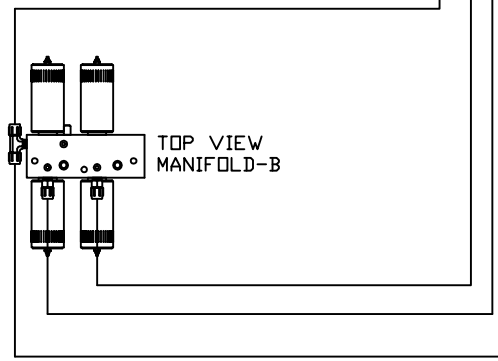
MODEL	HOSE A	HOSE B	HOSES C	HOSES D	HOSE E	HOSE F
G31Y	AP5965	AP7358	AP24649	AP4906	AP6117	AP4669
G33V	AP5965	AP7358	AP24649	AP4906	AP6117	AP4669
G35U	AP5965	AP7358	AP24649	AP4906	AP6117	AP4669
G37C	SEE MP69428 E					
G38G	AP5965	AP7358	AP24649	AP4906	AP6117	AP4669

FOR F BODY COACHES
 SEE MP69428 B AND MP69428 C

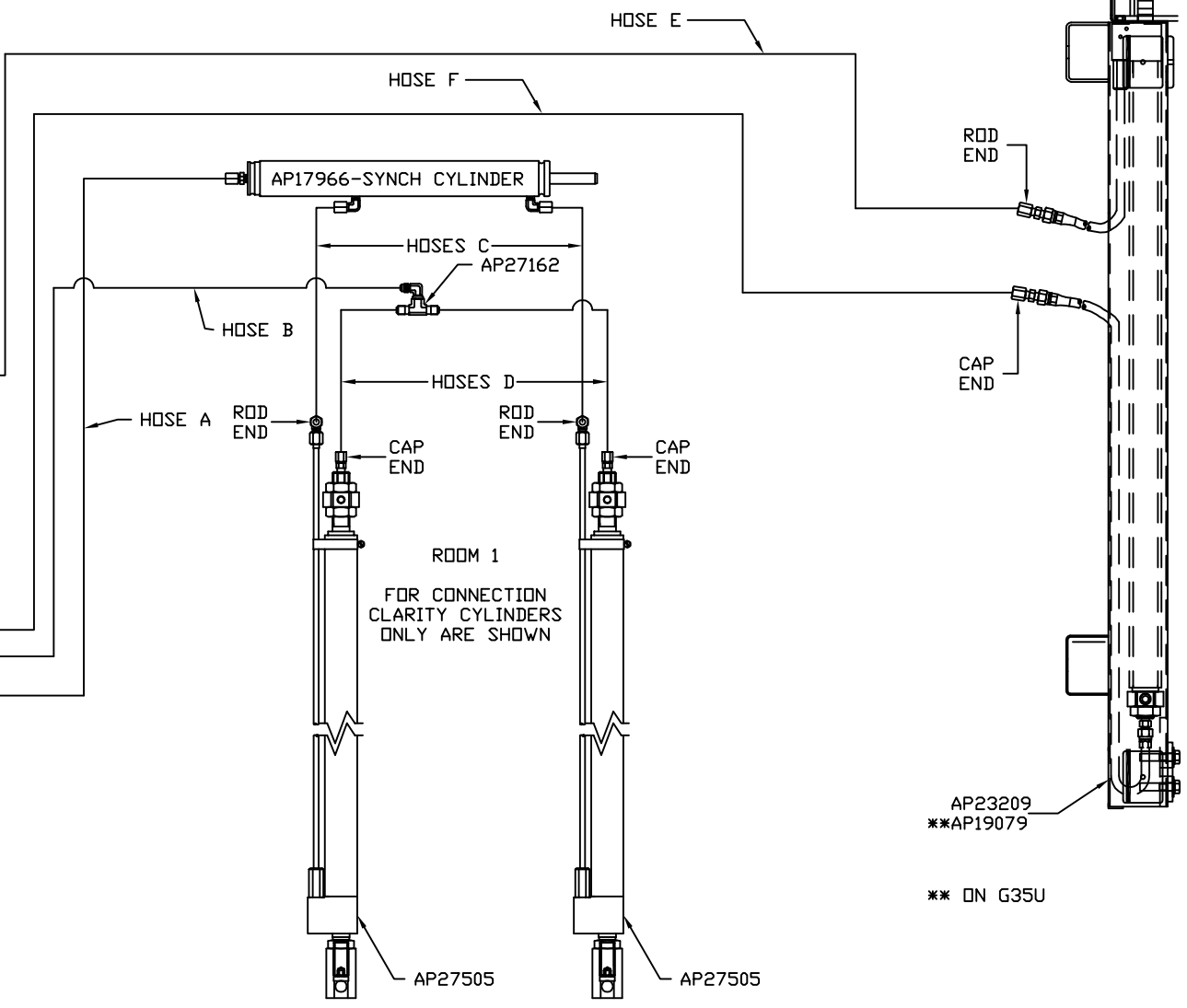
AP23412
 **AP19506
 ROOM 2



SIDE VIEW OF PUMP/MANIFOLD-AP32359



TOP VIEW
 MANIFOLD-B



ROOM 1
 FOR CONNECTION
 CLARITY CYLINDERS
 ONLY ARE SHOWN

AP23209
 **AP19079

** ON G35U

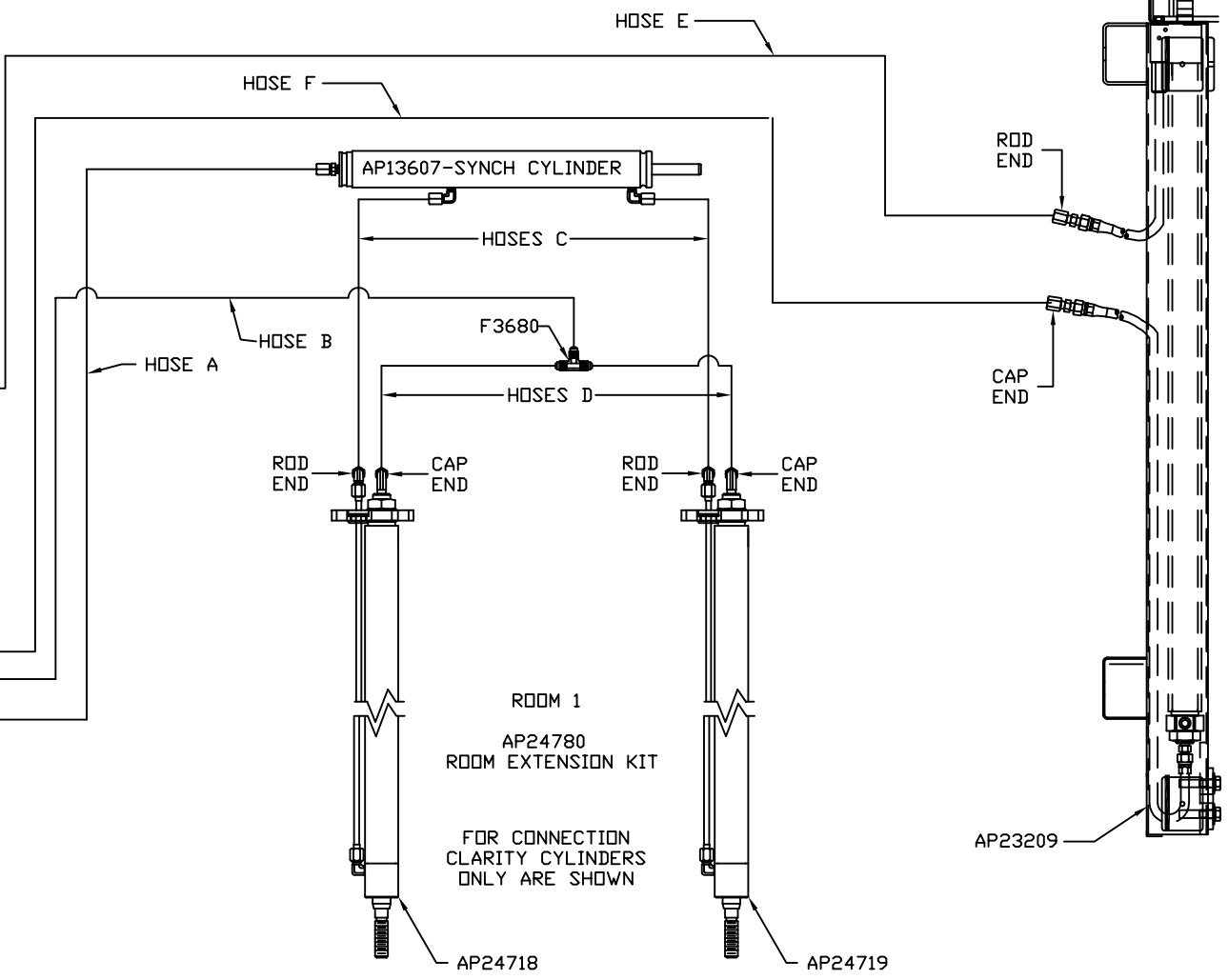
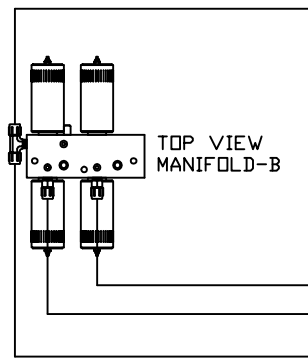
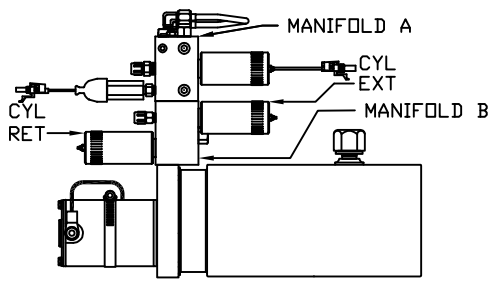
NOTE: HOSES C MUST BE HIGH
 PRESSURE HOSES OF EQUAL
 LENGTH AND DIAMETER

NOTE: HOSES D MUST BE
 EQUAL LENGTH AND DIAMETER

ORIENTATION
 ← FRONT

MODEL	HOSE A	HOSE B	HOSES C	HOSES D	HOSE E	HOSE F
G31Y	SEE MP69428 E					
G33V	SEE MP69428 E					
G35U	SEE MP69428 E					
G37C	AP5965	AP7358	AP24642	AP5384	AP6117	AP4669
G38G	SEE MP69428 E					

FOR F BODY COACHES
 SEE MP69428 B AND MP69428 C



NOTE: HOSES C MUST BE HIGH PRESSURE HOSES OF EQUAL LENGTH AND DIAMETER

NOTE: HOSES D MUST BE EQUAL LENGTH AND DIAMETER

FOR CONNECTION CLARITY CYLINDERS ONLY ARE SHOWN