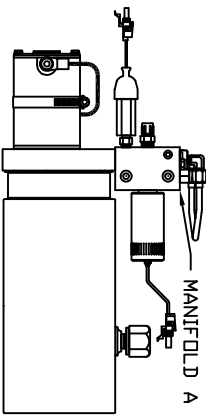


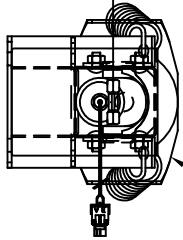
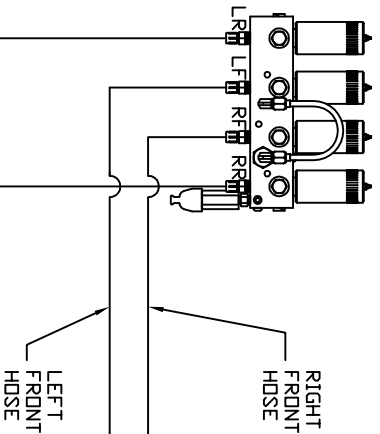
ORIENTATION
FRONT

NOTE: THIS LEVELING SYSTEM IS FOR
COACHES WITH 22.5" TIRES

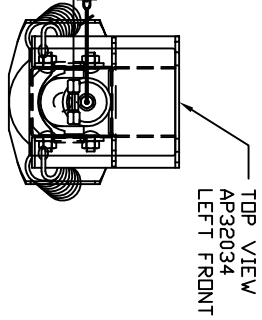


SIDE VIEW OF PUMP/MANIFOLD-AP32357

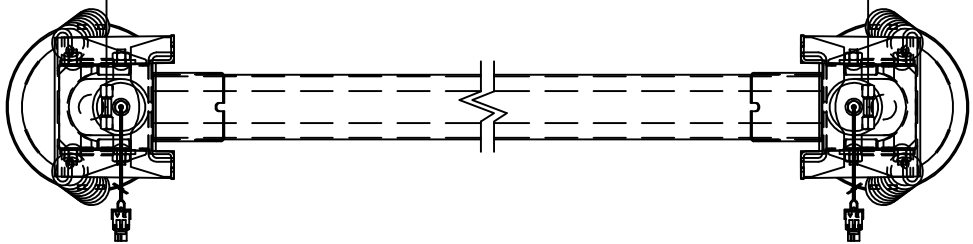
TOP VIEW - MANIFOLD A



NOTE: CROSS TIE REQUIRED
FOR FRONT JACKS



RIGHT REAR HOSE



MODEL	HOSE KIT	LF HOSE	RF HOSE	RR HOSE	LR HOSE
G385	AP19681	AP5352	AP2443	AP4164	AP4163
G388	AP19679	AP5352	AP2443	AP27563	AP4312

LEVELING SYSTEM: AP33380

NO.	DATE	REVISION

HWH 1-80 EXIT 267 SOUTH
RT 1 MOSCOW, IOWA 52760

SCALE 1:6 DATE 19MAY05 DRAWN BY .

HYD CONN DIAGRAM

WINNEBAGO

DRAWING NUMBER
MP69433

THE INFORMATION DISCLOSED ON THIS DRAWING IS CONFIDENTIAL AND MUST NOT BE DISCLOSED OR USED IN ANY MANNER WHICH WILL BE DETRIMENTAL TO THE HWH CORPORATION