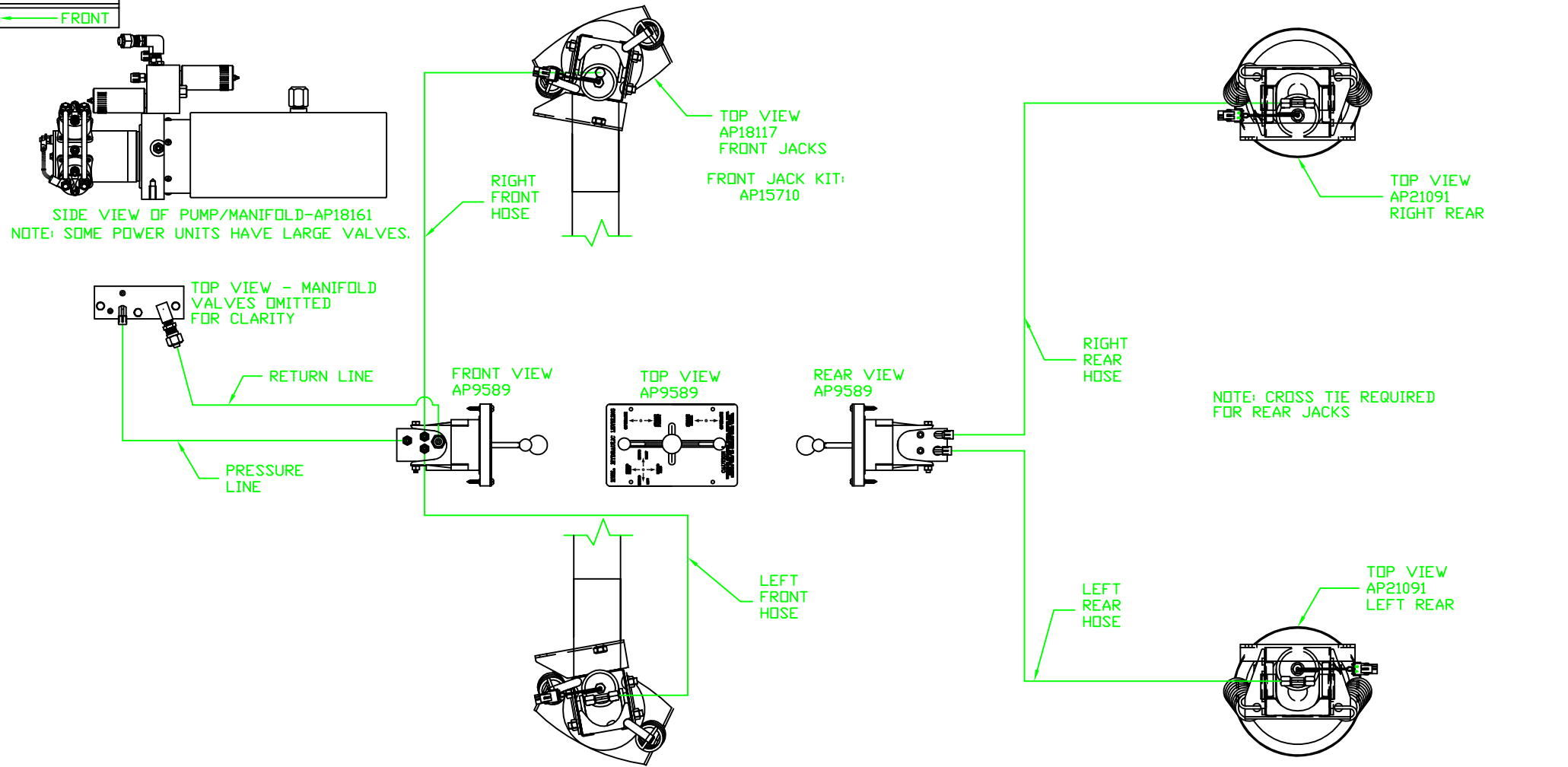


ORIENTATION

← FRONT



| MODEL | HOSE KIT | LF HOSE | RF HOSE | RR HOSE | LR HOSE | PRESSURE | RETURN |
|-------|----------|---------|---------|---------|---------|----------|--------|
| *F33V | AP0012 | AP4073 | AP7099 | AP4311 | AP2464 | AP4074 | P7335 |
| *F35C | AP0012 | AP4073 | AP7099 | AP4311 | AP2464 | AP4074 | P7335 |
| F30W | AP0013 | AP4073 | AP7099 | AP5561 | AP4904 | AP4074 | P7335 |
| F33V | AP0013 | AP4073 | AP7099 | AP5561 | AP4904 | AP4074 | P7335 |
| F35C | AP0013 | AP4073 | AP7099 | AP5561 | AP4904 | AP4074 | P7335 |

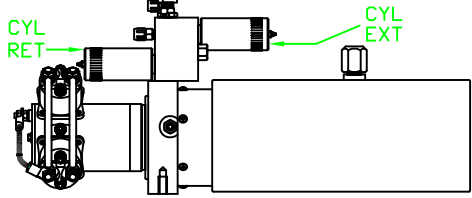
* 2000 PRODUCTION MODEL

LEVELING SYSTEM: AP21150

| | | | | | |
|--|------|-------------------------|--------------|--|--|
| | | HWH | | I-80 EXIT 267 SOUTH RT 1 MOSCOW, IOWA 52760 | |
| | | SCALE 1:6 | DATE 27JUL05 | DRAWN BY . | |
| | | HYD CONN DIAGRAM | | | |
| NO. | DATE | REVISION | | | |
| THE INFORMATION DISCLOSED ON THIS DRAWING IS CONFIDENTIAL AND MUST NOT BE DISCLOSED OR USED IN ANY MANNER WHICH WILL BE DETRIMENTAL TO THE HWH CORPORATION | | | | | |
| WINNEBAGO | | | | DRAWING NUMBER MP69437 A/C | |

ORIENTATION

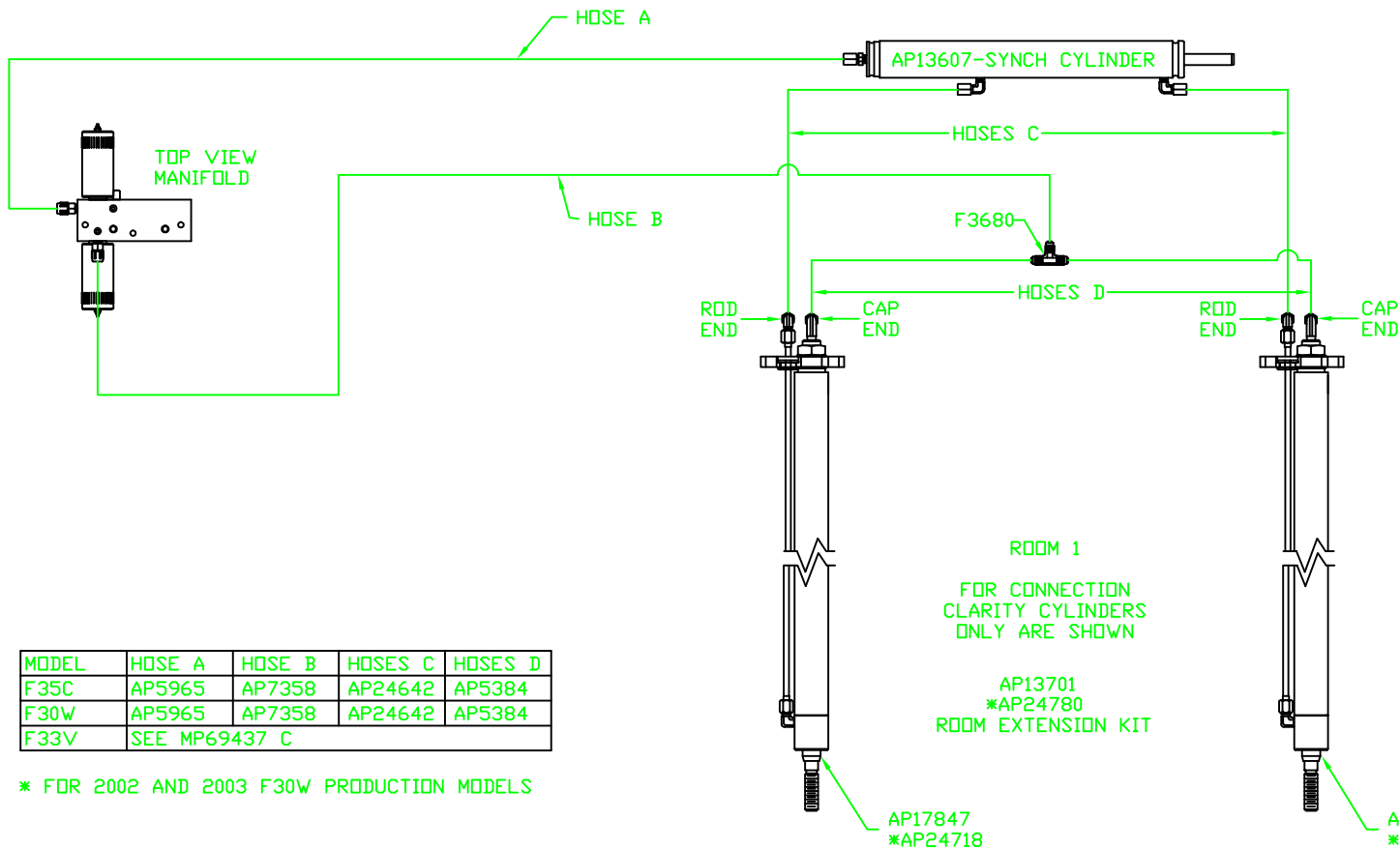
← FRONT



SIDE VIEW OF PUMP/MANIFOLD-AP18161
NOTE: SOME POWER UNITS HAVE LARGE VALVES.

NOTE: HOSES C MUST BE HIGH PRESSURE HOSES OF EQUAL LENGTH AND DIAMETER

NOTE: HOSES D MUST BE EQUAL LENGTH AND DIAMETER

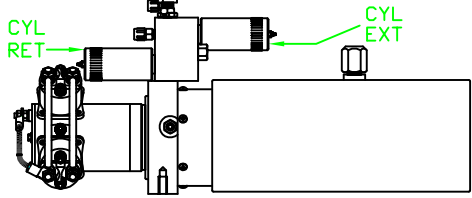


| MODEL | HOSE A | HOSE B | HOSES C | HOSES D |
|-------|---------------|--------|---------|---------|
| F35C | AP5965 | AP7358 | AP24642 | AP5384 |
| F30W | AP5965 | AP7358 | AP24642 | AP5384 |
| F33V | SEE MP69437 C | | | |

* FOR 2002 AND 2003 F30W PRODUCTION MODELS

ORIENTATION

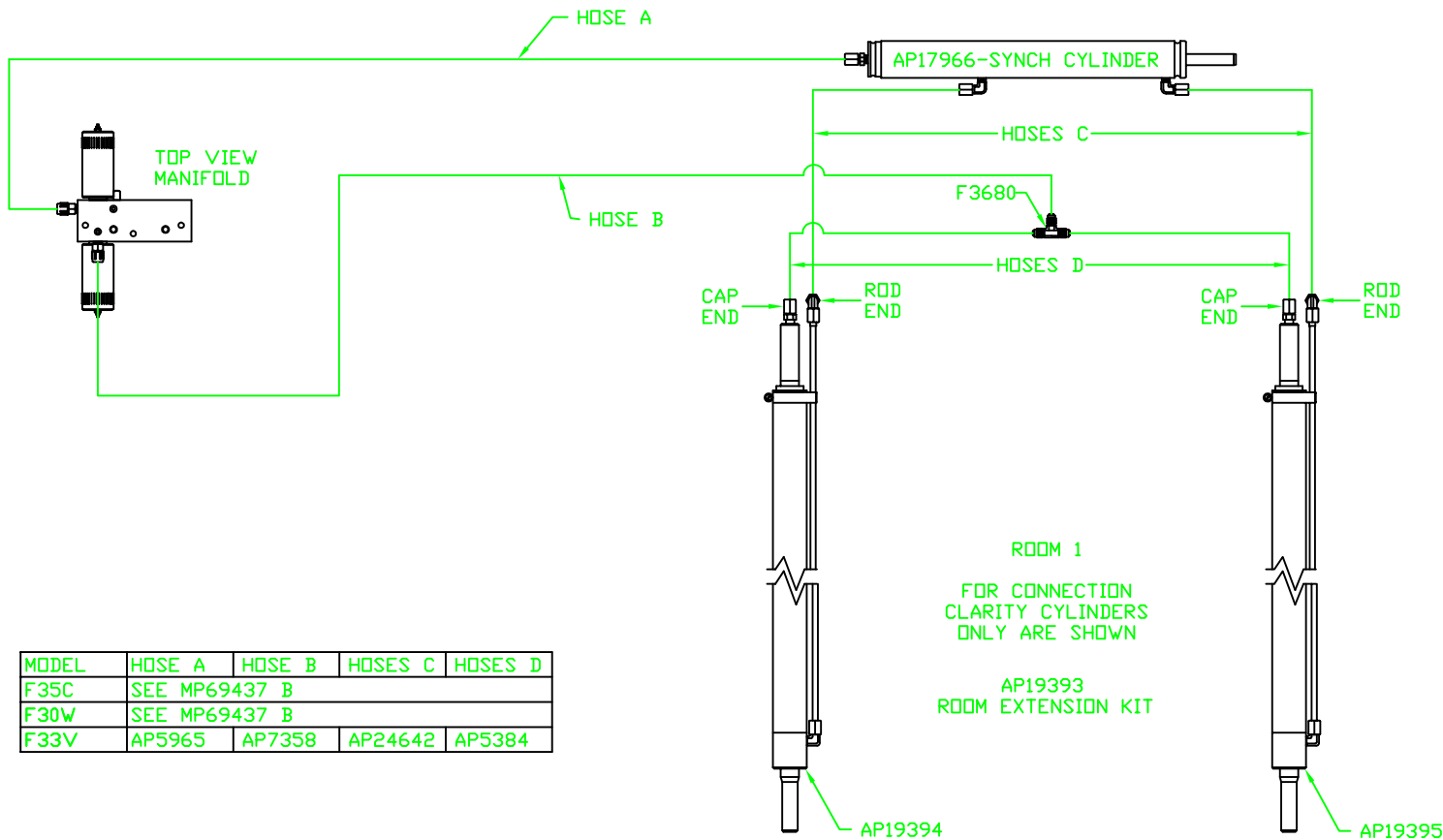
← FRONT



SIDE VIEW OF PUMP/MANIFOLD-AP18161
NOTE: SOME POWER UNITS HAVE LARGE VALVES.

NOTE: HOSES C MUST BE HIGH PRESSURE HOSES OF EQUAL LENGTH AND DIAMETER

NOTE: HOSES D MUST BE EQUAL LENGTH AND DIAMETER



ROOM 1
FOR CONNECTION
CLARITY CYLINDERS
ONLY ARE SHOWN

AP19393
ROOM EXTENSION KIT

| MODEL | HOSE A | HOSE B | HOSES C | HOSES D |
|-------|---------------|--------|---------|---------|
| F35C | SEE MP69437 B | | | |
| F30W | SEE MP69437 B | | | |
| F33V | AP5965 | AP7358 | AP24642 | AP5384 |