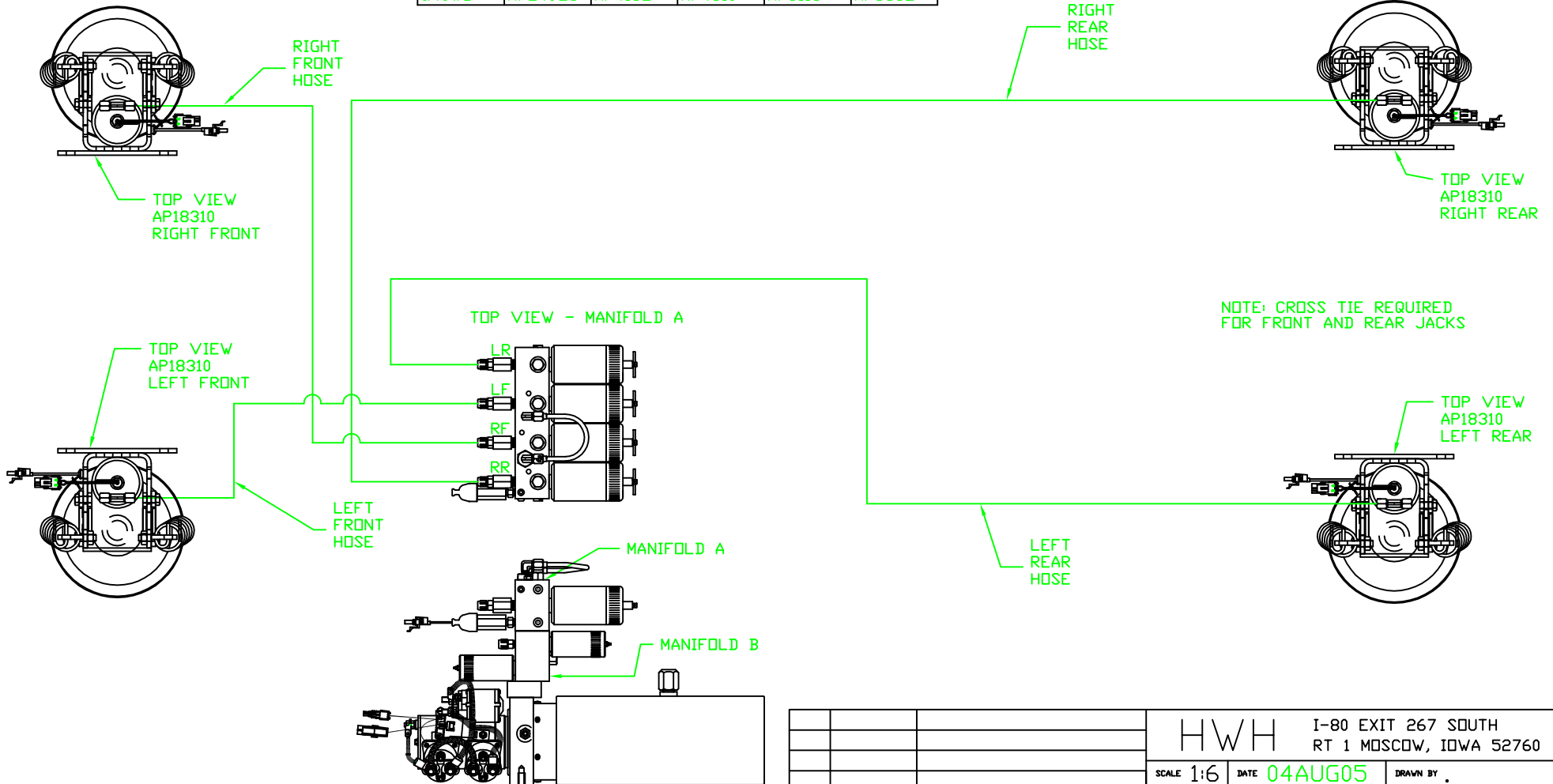


ORIENTATION  
← FRONT

| MODEL | HOSE KIT | LF HOSE | RF HOSE | RR HOSE | LR HOSE |
|-------|----------|---------|---------|---------|---------|
| Q36C  | AP24925  | AP4162  | AP4310  | AP6116  | AP5562  |
| Q38K  | AP24925  | AP4162  | AP4310  | AP6116  | AP5562  |
| Q40J  | AP24925  | AP4162  | AP4310  | AP6116  | AP5562  |
| Q40JD | AP24925  | AP4162  | AP4310  | AP6116  | AP5562  |
| Q40WD | AP24925  | AP4162  | AP4310  | AP6116  | AP5562  |



|  |      |                  |              |  |  |
|--|------|------------------|--------------|--|--|
|  |      | HWH              |              | I-80 EXIT 267 SOUTH<br>RT 1 MOSCOW, IOWA 52760 |  |
|  |      | SCALE 1:6        | DATE 04AUG05 | DRAWN BY .                                     |  |
|  |      | HYD CONN DIAGRAM |              |  |  |
|  |      | WINNEBAGO        |              | DRAWING NUMBER<br>MP69440 A/C                  |  |
| NO.  | DATE | REVISION         |              |  |  |
| THE INFORMATION DISCLOSED ON THIS DRAWING IS CONFIDENTIAL AND MUST NOT BE DISCLOSED OR USED IN ANY MANNER WHICH WILL BE DETRIMENTAL TO THE HWH CORPORATION |      |                  |              |  |  |

**ORIENTATION**

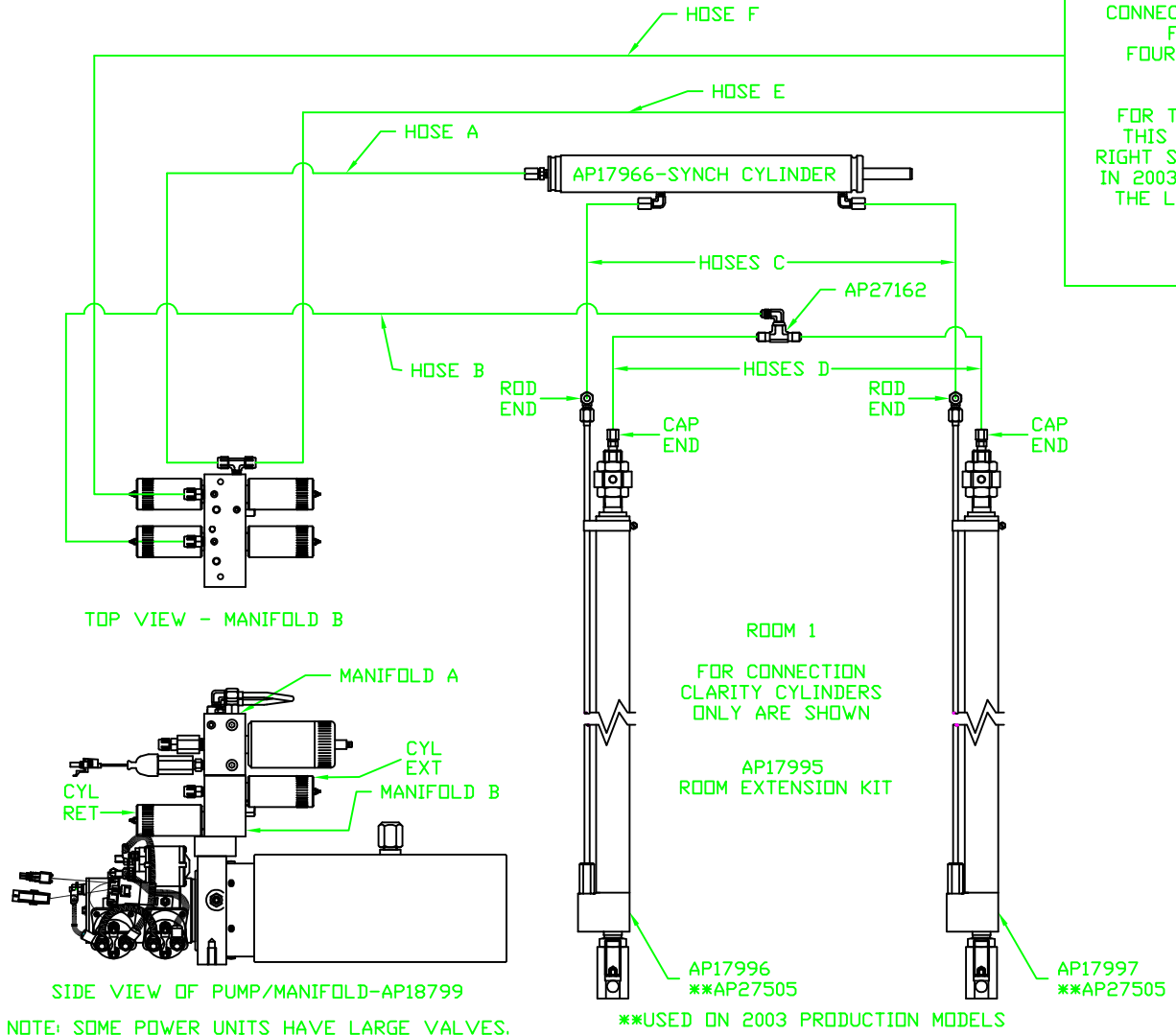
← FRONT

NOTE: HOSES C MUST BE HIGH PRESSURE HOSES OF EQUAL LENGTH AND DIAMETER

NOTE: HOSES D MUST BE EQUAL LENGTH AND DIAMETER

| MODEL | HOSE A        | HOSE B | HOSES C | HOSES D | HOSE E  | HOSE F  |
|-------|---------------|--------|---------|---------|---------|---------|
| Q36C  | AP4074        | AP4906 | AP24649 | *AP4906 | AP24927 | AP24926 |
| Q38K  | SEE MP69440 C |        |         |         |         |         |
| Q40J  | SEE MP69440 C |        |         |         |         |         |
| Q40JD | SEE MP69440 C |        |         |         |         |         |
| Q40WD | SEE MP69440 C |        |         |         |         |         |

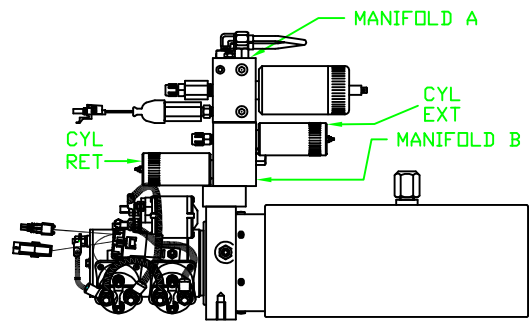
\*AP2443 USED ON AP27505



SEE MP69148 FOR CONNECTION INFORMATION FOR AP24928 FOUR CYLINDER ROOM EXTENSION.

FOR THE 2002 MODELS, THIS ROOM IS ON THE RIGHT SIDE OF THE COACH. IN 2003, THIS ROOM IS ON THE LEFT SIDE OF THE COACH.

TOP VIEW - MANIFOLD B



SIDE VIEW OF PUMP/MANIFOLD-AP18799

NOTE: SOME POWER UNITS HAVE LARGE VALVES.

ROOM 1  
FOR CONNECTION CLARITY CYLINDERS ONLY ARE SHOWN  
AP17995  
ROOM EXTENSION KIT

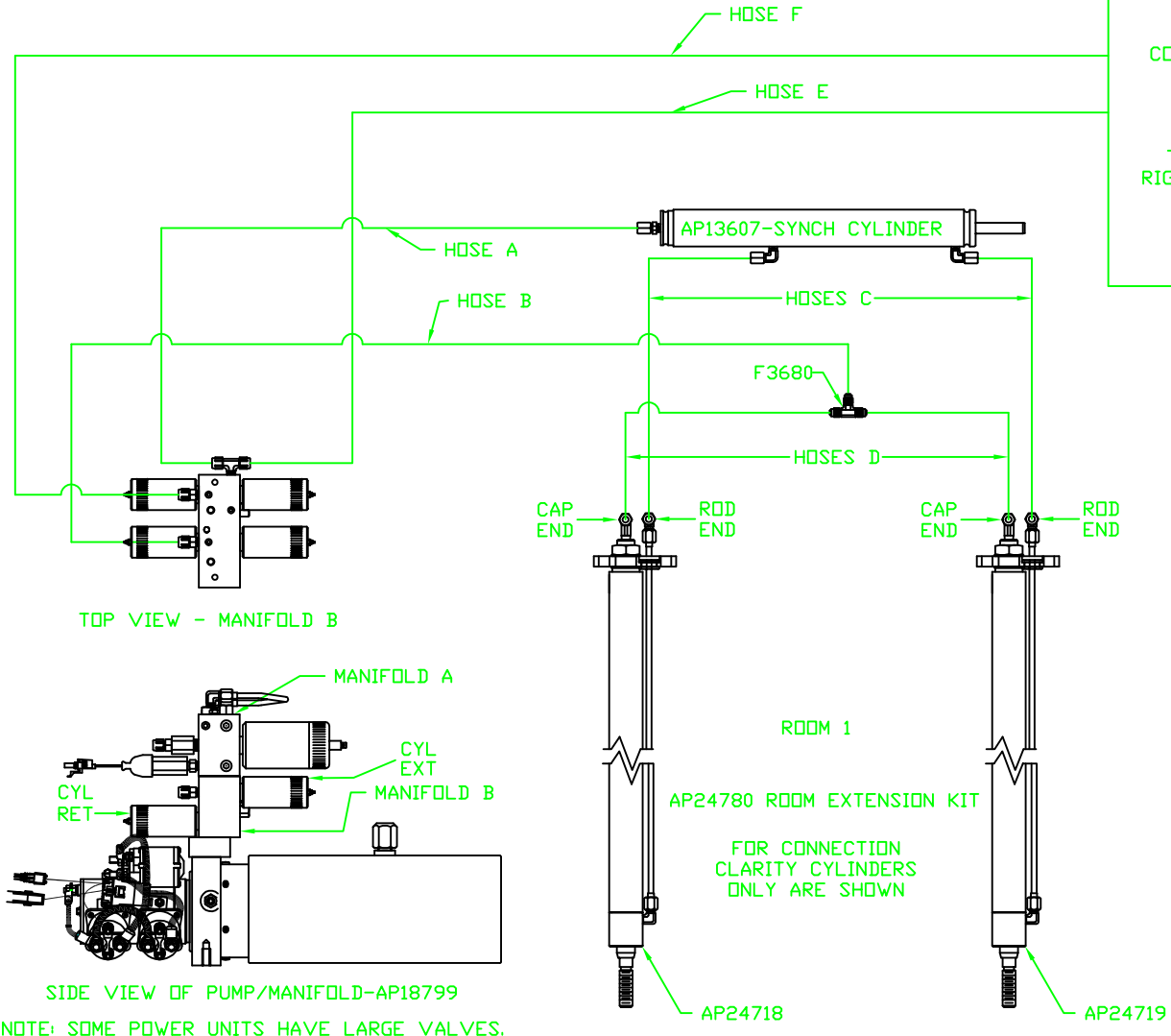
AP17996  
\*\*AP27505

AP17997  
\*\*AP27505

\*\*USED ON 2003 PRODUCTION MODELS

ORIENTATION  
 ← FRONT

| MODEL | HOSE A        | HOSE B | HOSES C | HOSES D | HOSE E  | HOSE F  |
|-------|---------------|--------|---------|---------|---------|---------|
| Q36C  | SEE MP69440 B |        |         |         |         |         |
| Q38K  | AP4074        | AP4906 | AP24642 | AP5384  | AP24927 | AP24926 |
| Q40J  | AP4074        | AP4906 | AP24642 | AP5384  | AP24927 | AP24926 |
| Q40JD | AP4074        | AP4906 | AP24642 | AP5384  | AP24927 | AP24926 |
| Q40WD | AP4074        | AP4906 | AP24642 | AP5384  | AP24927 | AP24926 |



SEE MP69148 FOR CONNECTION INFORMATION FOR AP24928 FOUR CYLINDER ROOM EXTENSION.  
 THIS ROOM IS ON THE RIGHT SIDE OF THE COACH

NOTE: HOSES C MUST BE HIGH PRESSURE HOSES OF EQUAL LENGTH AND DIAMETER

NOTE: HOSES D MUST BE EQUAL LENGTH AND DIAMETER

SIDE VIEW OF PUMP/MANIFOLD-AP18799  
 NOTE: SOME POWER UNITS HAVE LARGE VALVES.

ROOM 1  
 AP24780 ROOM EXTENSION KIT  
 FOR CONNECTION CLARITY CYLINDERS ONLY ARE SHOWN