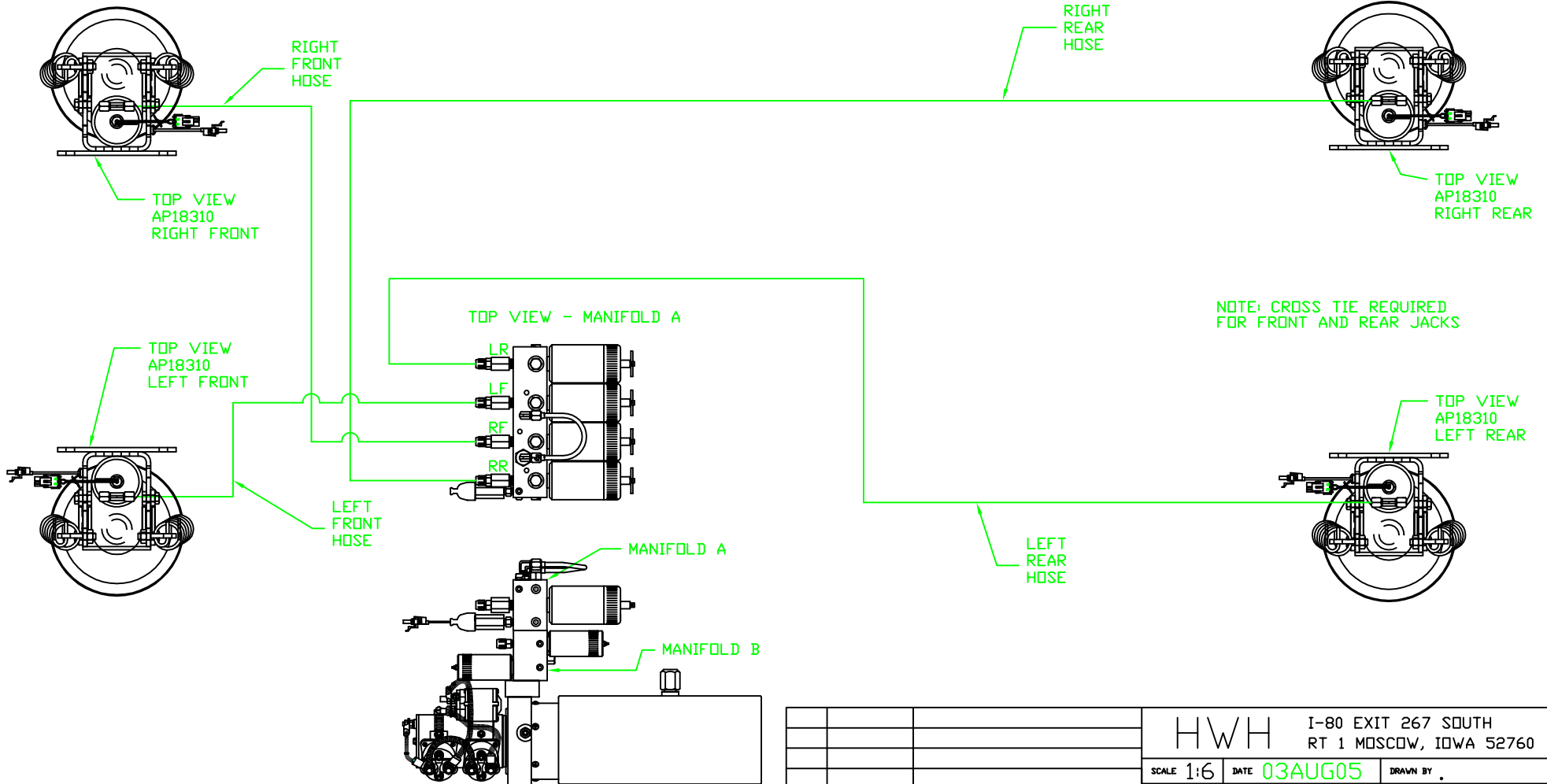


ORIENTATION  
← FRONT

MODEL	HOSE KIT	LF HOSE	RF HOSE	RR HOSE	LR HOSE
Q40E	AP24925	AP4162	AP4310	AP6116	AP5562



SIDE VIEW OF PUMP/MANIFOLD-AP18163  
NOTE: SOME POWER UNITS HAVE LARGE VALVES.

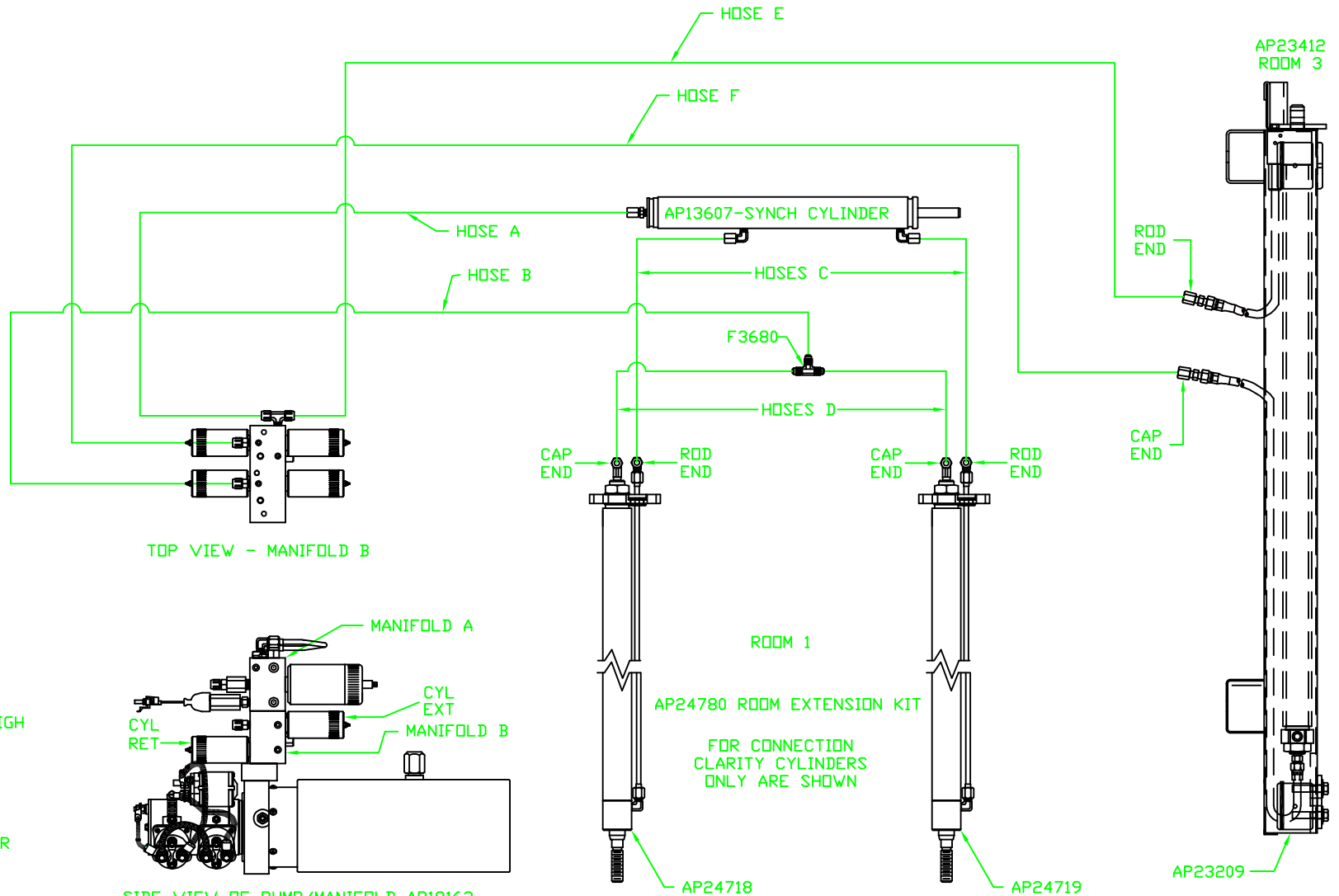
LEVELING SYSTEM: AP26305

		HWH		I-80 EXIT 267 SOUTH RT 1 MOSCOW, IOWA 52760	
		SCALE 1:6	DATE 03AUG05	DRAWN BY .	
		HYD CONN DIAGRAM			
		WINNEBAGO		DRAWING NUMBER MP69441 A/B	
NO.	DATE	REVISION			
THE INFORMATION DISCLOSED ON THIS DRAWING IS CONFIDENTIAL AND MUST NOT BE DISCLOSED OR USED IN ANY MANNER WHICH WILL BE DETRIMENTAL TO THE HWH CORPORATION					

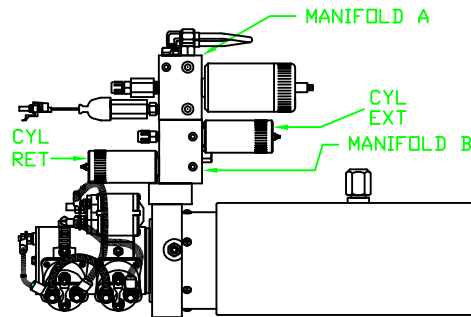
ORIENTATION

← FRONT

MODEL	HOSE A	HOSE B	HOSES C	HOSES D	HOSE E	HOSE F
Q40E	AP5924	AP11212	AP24642	AP5384	AP6216	AP7385



TOP VIEW - MANIFOLD B



SIDE VIEW OF PUMP/MANIFOLD-AP18163

NOTE: SOME POWER UNITS HAVE LARGE VALVES.

NOTE: HOSES C MUST BE HIGH PRESSURE HOSES OF EQUAL LENGTH AND DIAMETER

NOTE: HOSES D MUST BE EQUAL LENGTH AND DIAMETER

AP24780 ROOM EXTENSION KIT

FOR CONNECTION CLARITY CYLINDERS ONLY ARE SHOWN

AP23412 ROOM 3