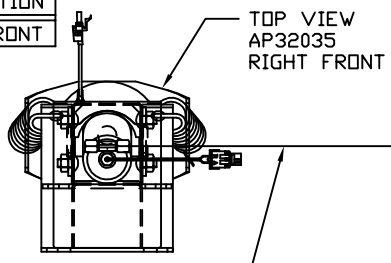
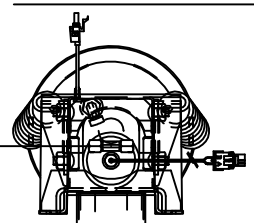


ORIENTATION  
← FRONT

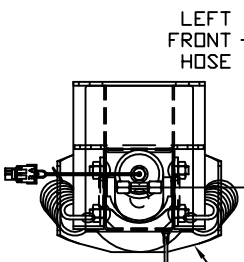


RIGHT FRONT HOSE



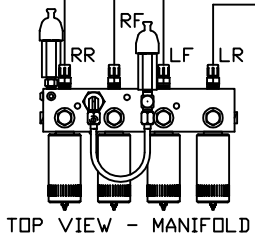
RIGHT REAR HOSE

NOTE: CROSS TIE REQUIRED FOR FRONT JACKS

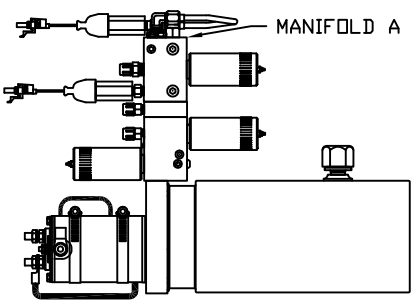


LEFT FRONT HOSE

TOP VIEW AP32035 LEFT FRONT



TOP VIEW - MANIFOLD A



SIDE VIEW OF PUMP/MANIFOLD-AP36777

LEFT REAR HOSE

TOP VIEW AP31983 REAR JACKS  
KIT NUMBER AP34764

MODEL	HOSE KIT	LF HOSE	RF HOSE	RR HOSE	LR HOSE
G35A	AP32708	AP4073	AP7832	AP4904	AP4729

LEVELING SYSTEM: AP36735

NO.	DATE	REVISION

HWH I-80 EXIT 267 SOUTH  
RT 1 MOSCOW, IOWA 52760  
SCALE 1:6 DATE 28DEC05 DRAWN BY .

HYD CONN DIAGRAM

WINNEBAGO DRAWING NUMBER MP69498 A/C

THE INFORMATION DISCLOSED ON THIS DRAWING IS CONFIDENTIAL AND MUST NOT BE DISCLOSED OR USED IN ANY MANNER WHICH WILL BE DETRIMENTAL TO THE HWH CORPORATION

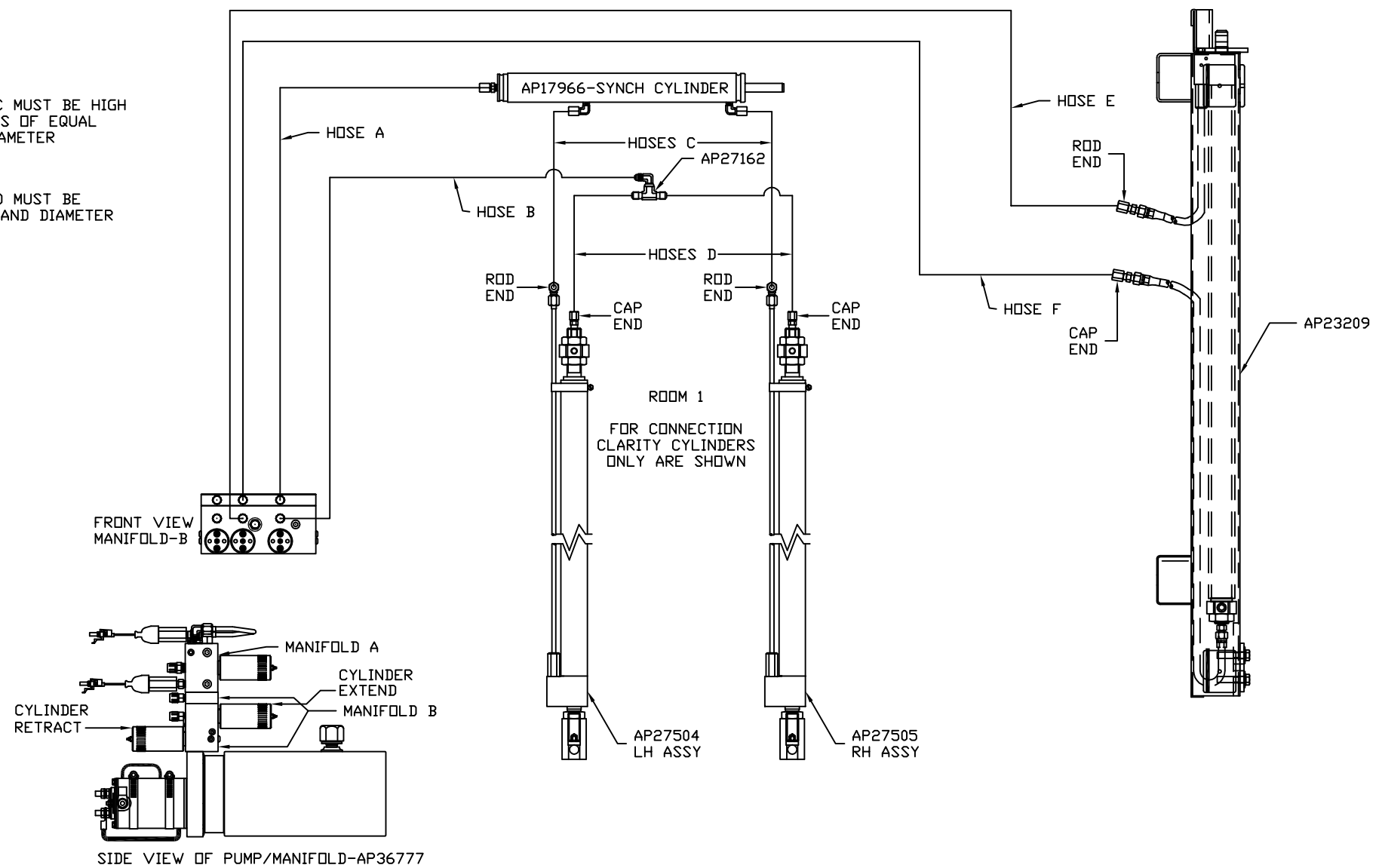
ORIENTATION  
 ← FRONT

MODEL	HOSE A	HOSE B	HOSES C	HOSES D	HOSE E	HOSE F
G35A	AP4665	AP5616	AP24649	AP4906	AP5561	AP8985

ROOM 2  
 AP23412

NOTE: HOSES C MUST BE HIGH PRESSURE HOSES OF EQUAL LENGTH AND DIAMETER

NOTE: HOSES D MUST BE EQUAL LENGTH AND DIAMETER



ORIENTATION  
 ← FRONT

MODEL	HOSE A	HOSE B	HOSES C	HOSES D
G35A	AP5965	AP7358	AP24635	AP4159

NOTE: HOSES C MUST BE HIGH PRESSURE HOSES OF EQUAL LENGTH AND DIAMETER

NOTE: HOSES D MUST BE EQUAL LENGTH AND DIAMETER

