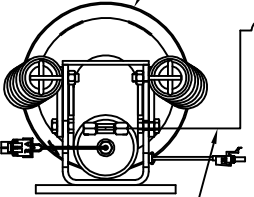
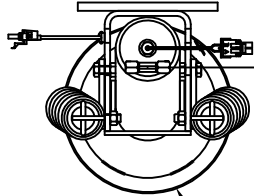


ORIENTATION  
← FRONT

TOP VIEW  
AP33345  
RIGHT FRONT

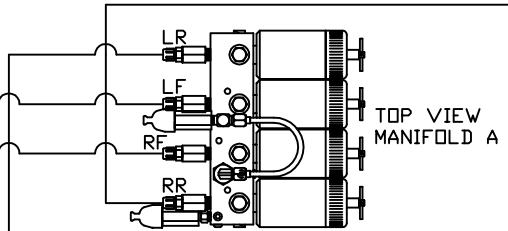


RIGHT  
FRONT  
HOSE

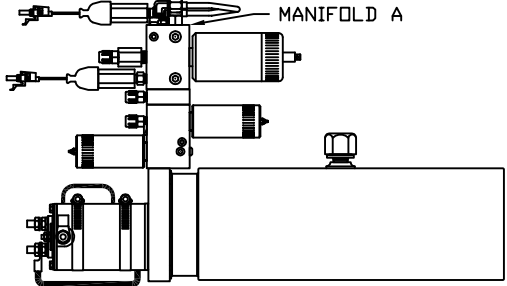


LEFT  
FRONT  
HOSE

TOP VIEW  
AP33345  
LEFT FRONT



TOP VIEW  
MANIFOLD A

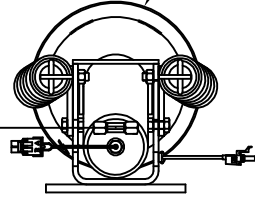


SIDE VIEW OF PUMP/MANIFOLD-AP36779

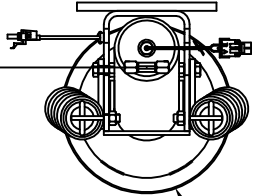
RIGHT  
REAR  
HOSE

LEFT  
REAR  
HOSE

TOP VIEW  
AP33345  
RIGHT REAR



NOTE: CROSS TIES REQUIRED  
FOR FRONT AND REAR JACKS



TOP VIEW  
AP33345  
LEFT REAR

MODEL	HOSE KIT	LF HOSE	RF HOSE	RR HOSE	LR HOSE
R40FD	AP24448	AP2443	AP5352	AP6117	AP5352
S36RD	AP19679	AP2443	AP5352	AP27563	AP4312
S40FD	AP24448	AP2443	AP5352	AP6117	AP5352

LEVELING SYSTEM: AP36743

NO.	DATE	REVISION

HWH I-80 EXIT 267 SOUTH  
RT 1 MOSCOW, IOWA 52760

SCALE 1:6 DATE 29DEC05 DRAWN BY .

HYD CONN DIAGRAM

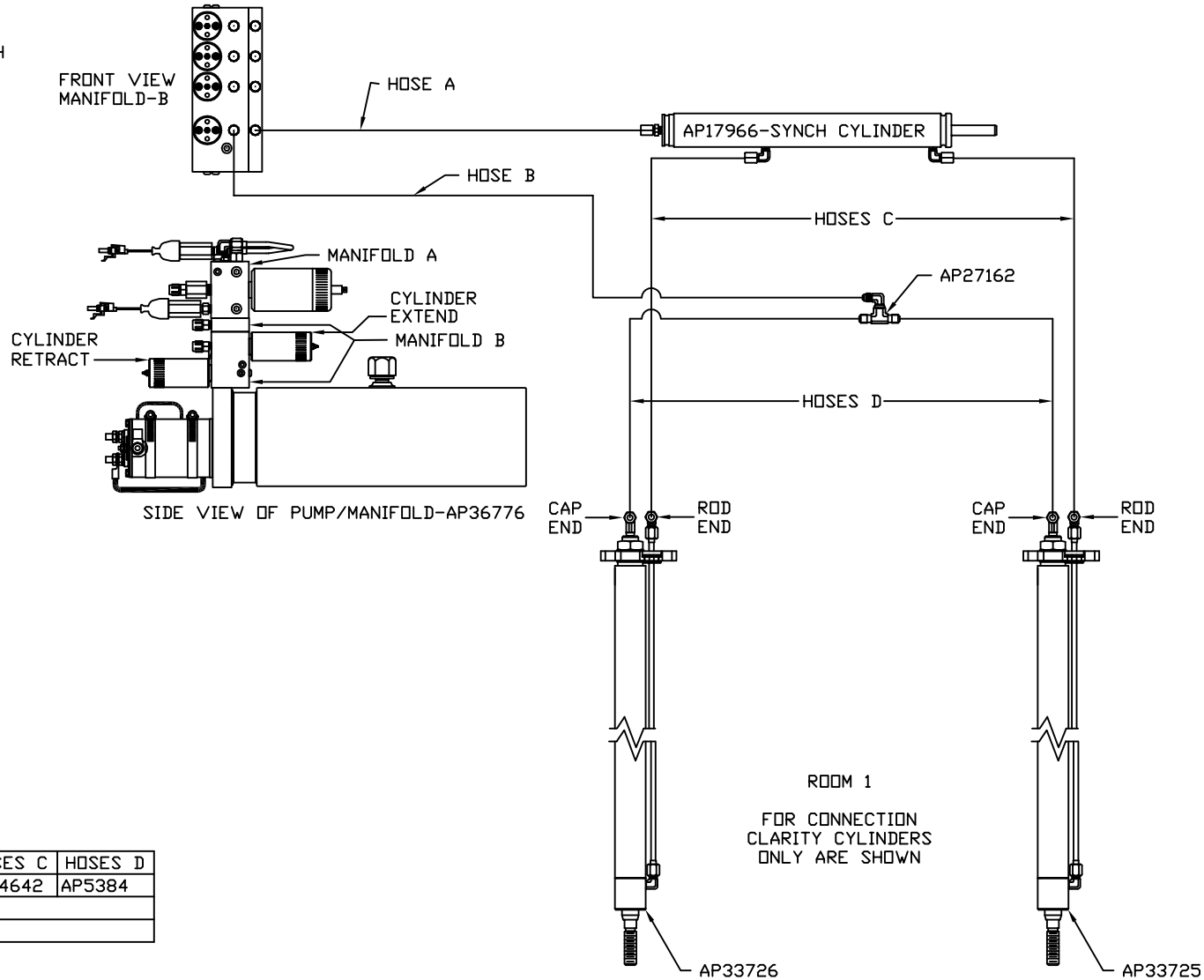
THE INFORMATION DISCLOSED ON THIS DRAWING IS CONFIDENTIAL AND MUST NOT BE DISCLOSED OR USED IN ANY MANNER WHICH WILL BE DETRIMENTAL TO THE HWH CORPORATION

WINNEBAGO DRAWING NUMBER  
MP69503 A/H

ORIENTATION  
 ← FRONT

NOTE: HOSES C MUST BE HIGH PRESSURE HOSES OF EQUAL LENGTH AND DIAMETER

NOTE: HOSES D MUST BE EQUAL LENGTH AND DIAMETER

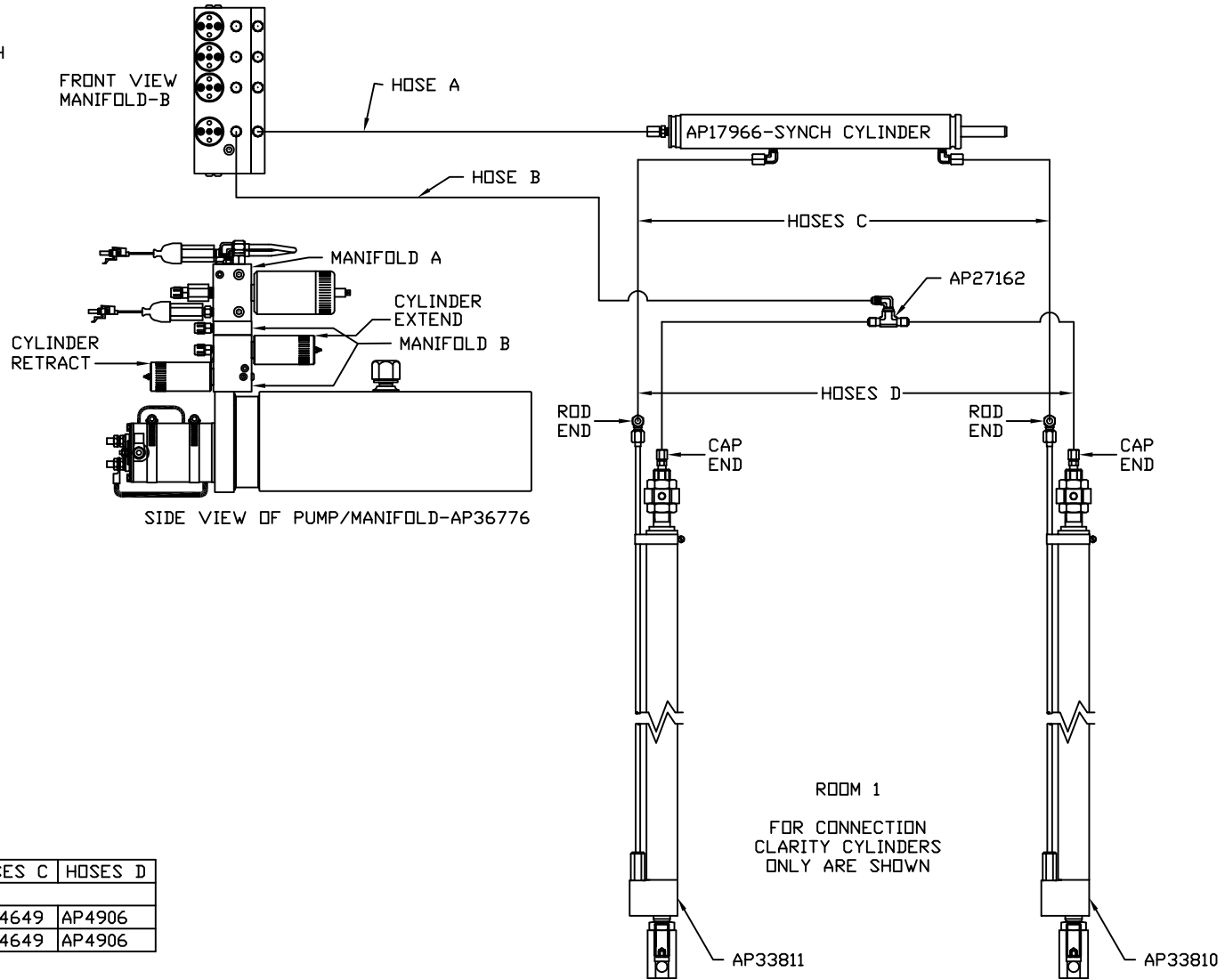


MODEL	HOSE A	HOSE B	HOSES C	HOSES D
R40FD	AP5924	AP11212	AP24642	AP5384
S36RD	SEE MP69503 C			
S40FD	SEE MP69503 C			

ORIENTATION  
 ← FRONT

NOTE: HOSES C MUST BE HIGH PRESSURE HOSES OF EQUAL LENGTH AND DIAMETER

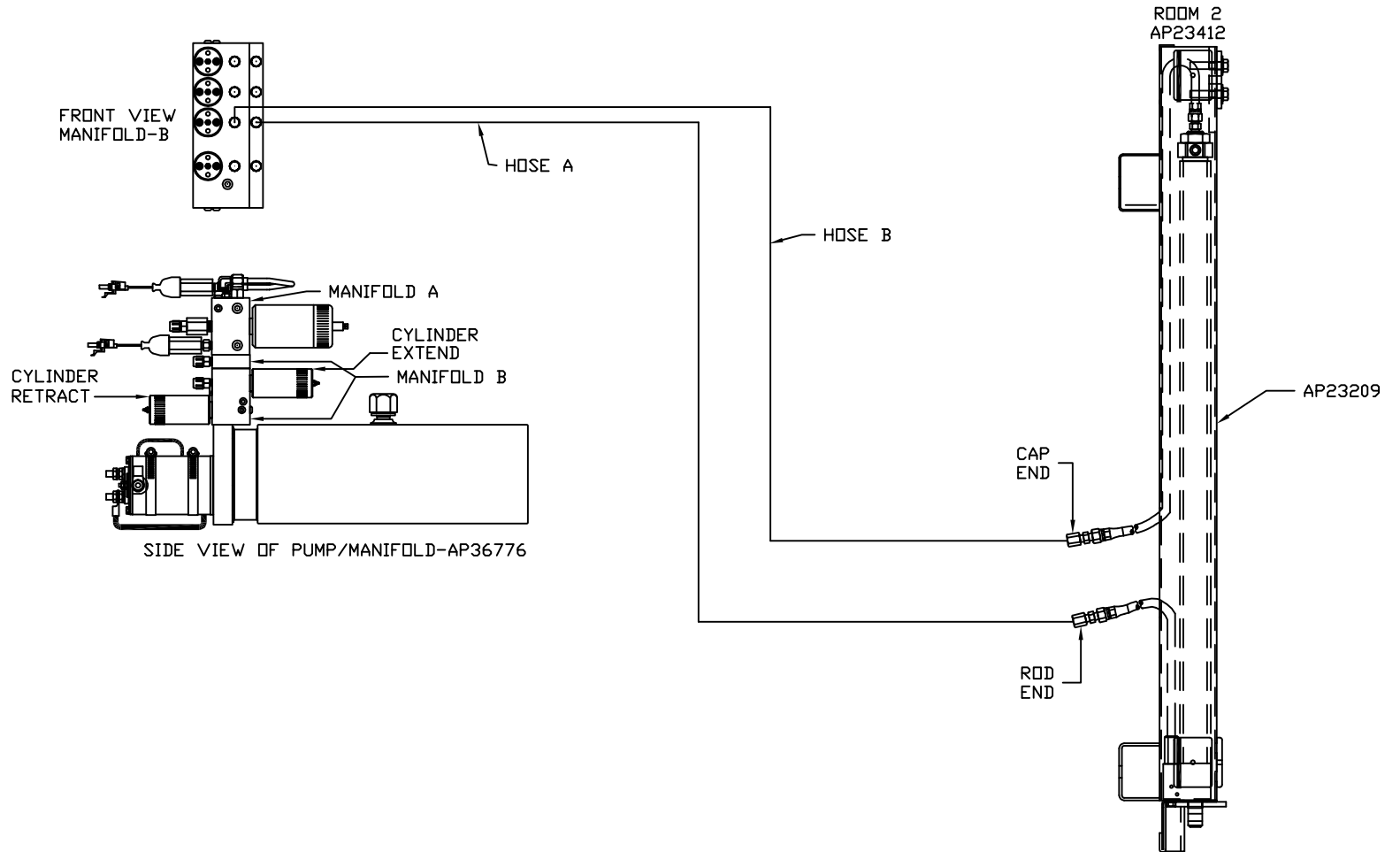
NOTE: HOSES D MUST BE EQUAL LENGTH AND DIAMETER



MODEL	HOSE A	HOSE B	HOSES C	HOSES D
R40FD	SEE MP69503 B			
S36RD	AP5924	AP11212	AP24649	AP4906
S40FD	AP5924	AP11212	AP24649	AP4906

ORIENTATION

← FRONT



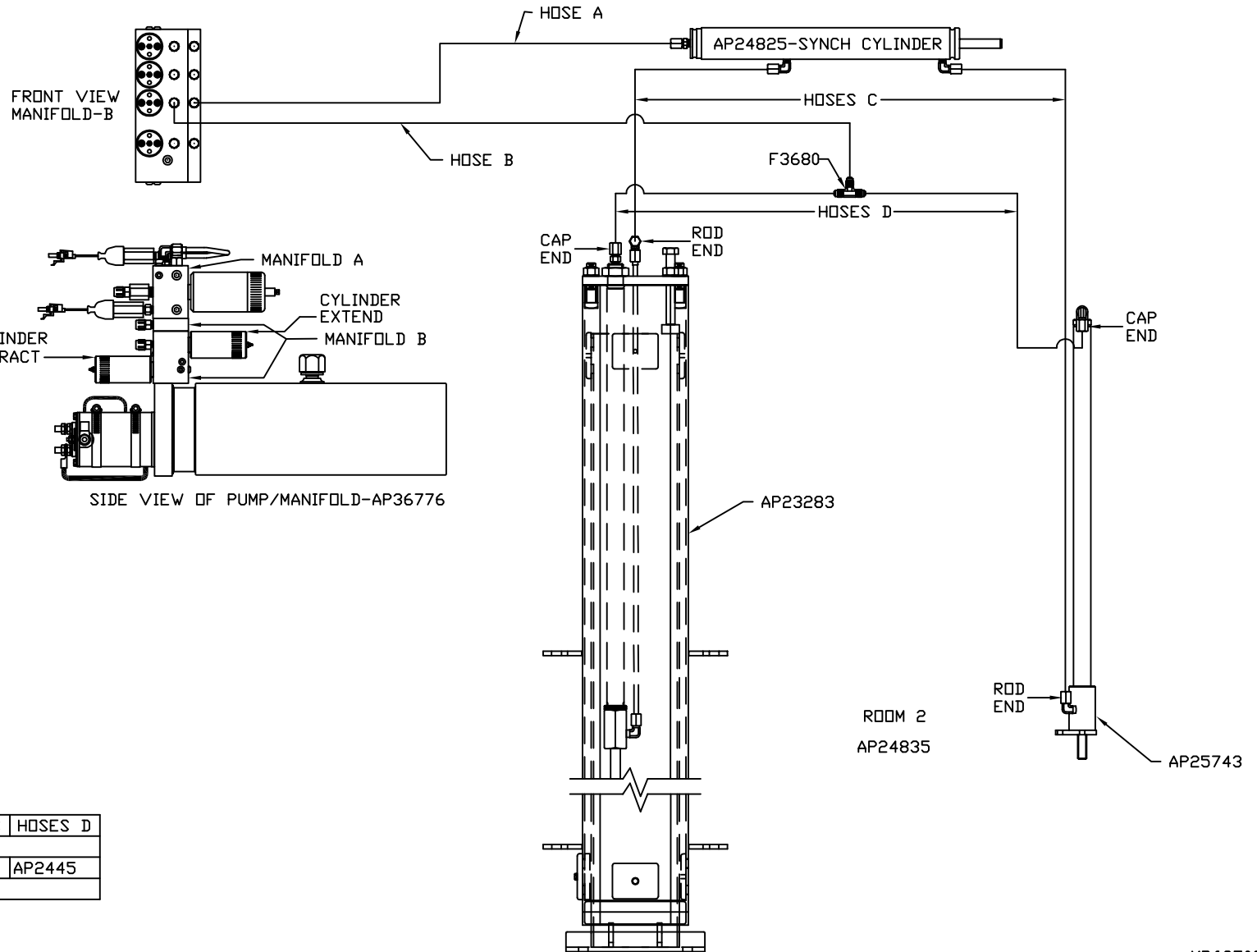
MODEL	HOSE A	HOSE B
R40FD	AP6217	AP5925
S36RD	SEE MP69503 E	
S40FD	AP6217	AP5925

ORIENTATION

← FRONT

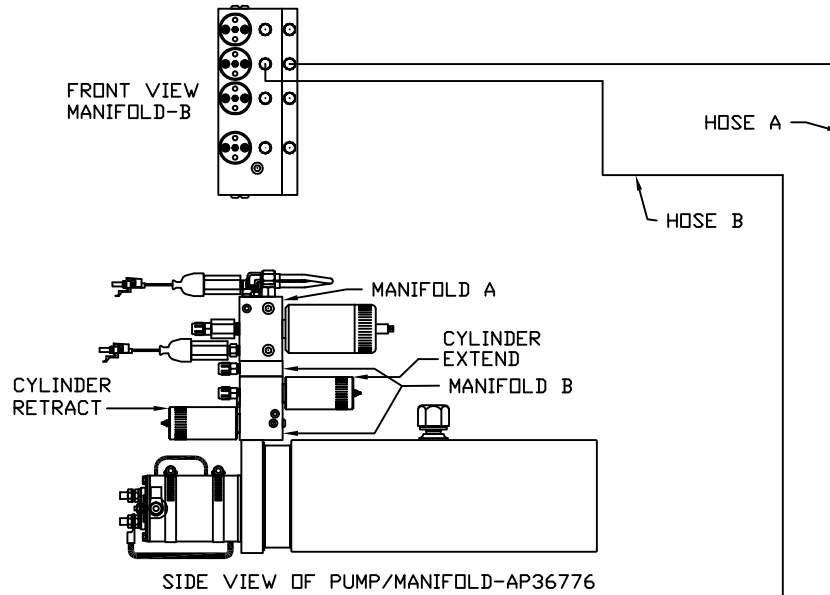
NOTE: HOSES C MUST BE HIGH PRESSURE HOSES OF EQUAL LENGTH AND DIAMETER

NOTE: HOSES D MUST BE EQUAL LENGTH AND DIAMETER



MODEL	HOSE A	HOSE B	HOSES C	HOSES D
R40FD	SEE MP69503 D			
S36RD	AP6217	AP4469	AP23738	AP2445
S40FD	SEE MP69503 D			

ORIENTATION  
← FRONT

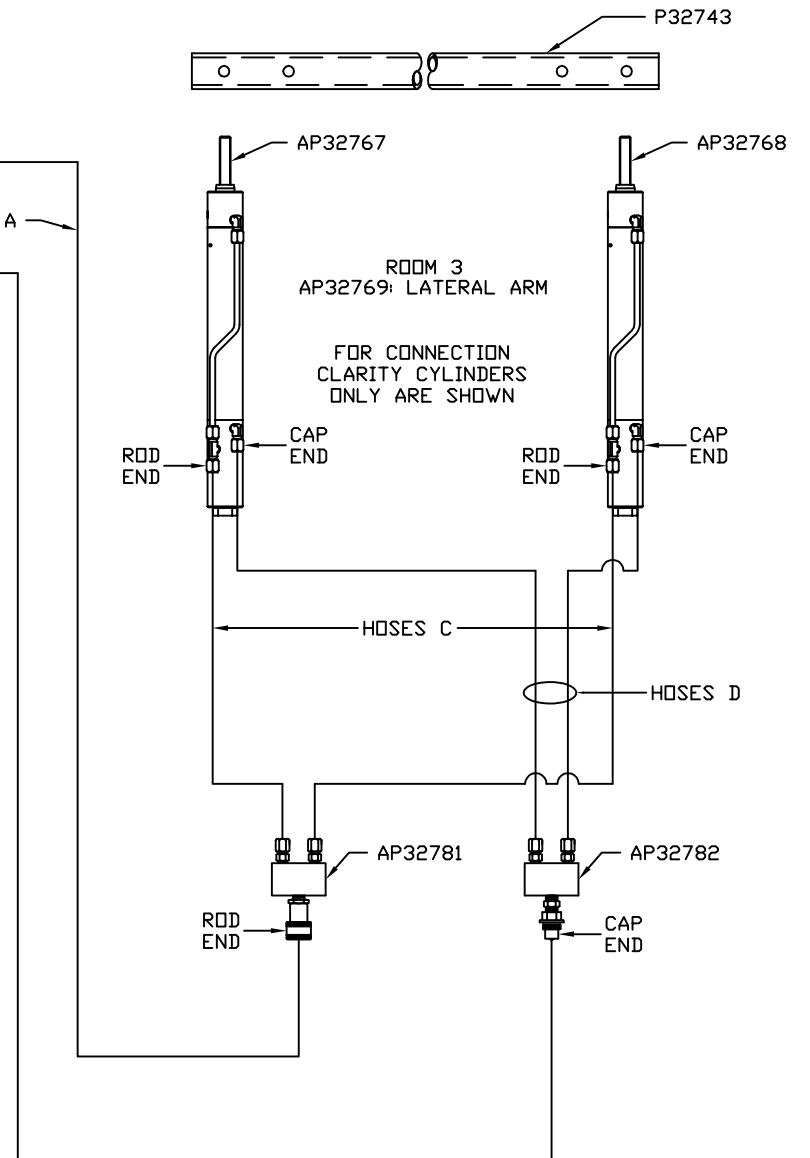


NOTE: HOSES C MUST BE HIGH PRESSURE HOSES OF EQUAL LENGTH AND DIAMETER

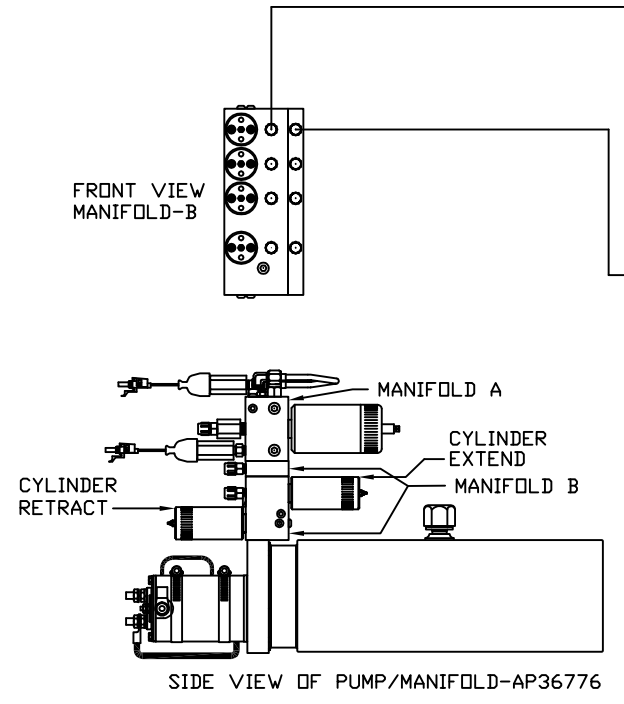
NOTE: HOSES D MUST BE EQUAL LENGTH AND DIAMETER

MODEL	HOSE A	HOSE B	HOSES C	HOSES D
R40FD	AP34161	AP32685	AP24635	AP25086
S36RD	AP34161	AP32685	AP24635	AP25086
S40FD	AP34161	AP32685	AP24635	AP25086

NOTE: AP32781, AP32782, AND HOSES C AND D ARE PART OF THE ROOM EXTENSION MECHANISM. P32743 IS SOLD SEPARATELY



ORIENTATION  
← FRONT

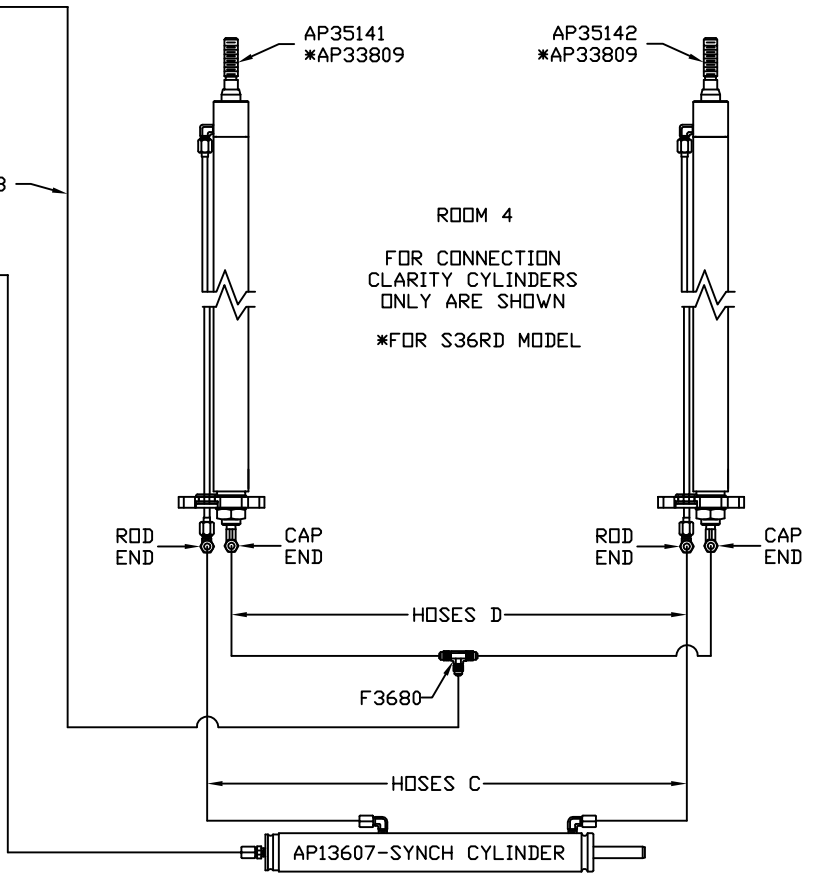


FRONT VIEW  
MANIFOLD-B

SIDE VIEW OF PUMP/MANIFOLD-AP36776

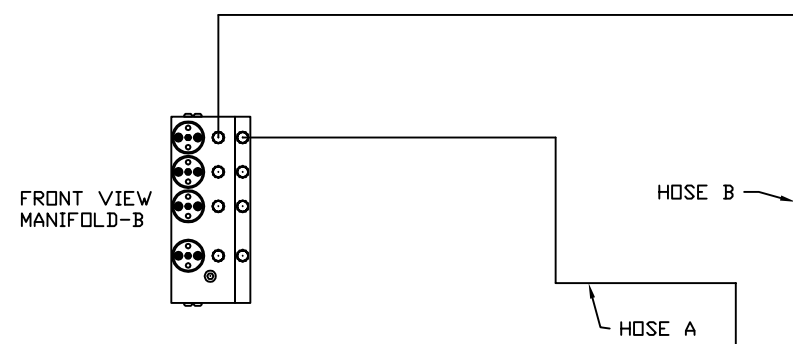
NOTE: HOSES C MUST BE HIGH  
PRESSURE HOSES OF EQUAL  
LENGTH AND DIAMETER

NOTE: HOSES D MUST BE  
EQUAL LENGTH AND DIAMETER

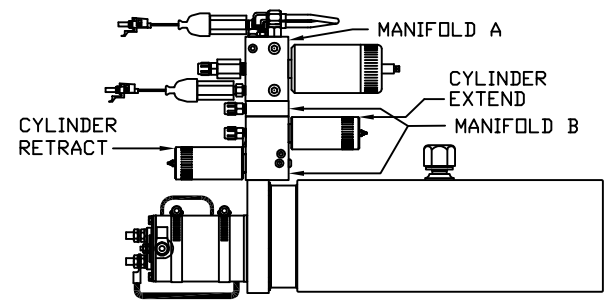


MODEL	HOSE A	HOSE B	HOSES C	HOSES D
R40FD	AP5965	AP7358	AP24642	AP5384
S36RD	AP5965	AP7358	AP24642	AP5384
S40FD	SEE MP69503 H			

ORIENTATION  
← FRONT



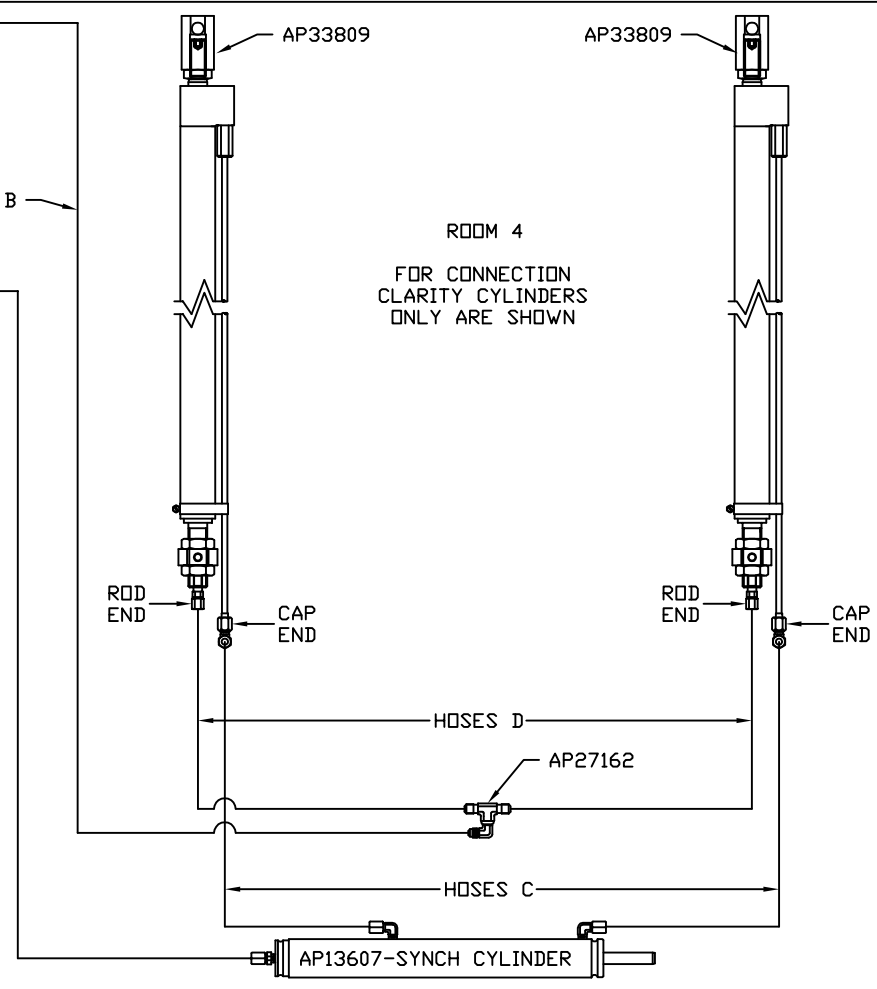
FRONT VIEW  
MANIFOLD-B



SIDE VIEW OF PUMP/MANIFOLD-AP36776

NOTE: HOSES C MUST BE HIGH PRESSURE HOSES OF EQUAL LENGTH AND DIAMETER

NOTE: HOSES D MUST BE EQUAL LENGTH AND DIAMETER



ROOM 4  
FOR CONNECTION CLARITY CYLINDERS ONLY ARE SHOWN

MODEL	HOSE A	HOSE B	HOSES C	HOSES D
R40FD	SEE MP69503 G			
S36RD	AP5965	AP7358	AP24649	AP4906
S40FD	AP5965	AP7358	AP24649	AP4906