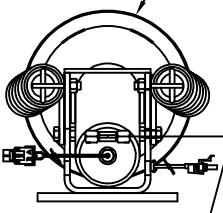
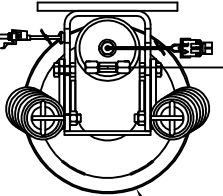


ORIENTATION
← FRONT

TOP VIEW
AP33345
RIGHT FRONT

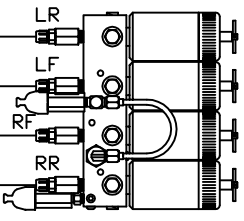


RIGHT FRONT
HOSE

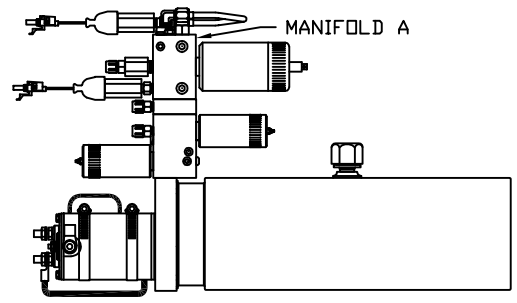


LEFT FRONT
HOSE

TOP VIEW
AP33345
LEFT FRONT



TOP VIEW
MANIFOLD A

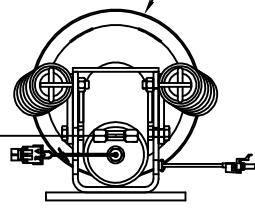


SIDE VIEW OF PUMP/MANIFOLD-AP36776

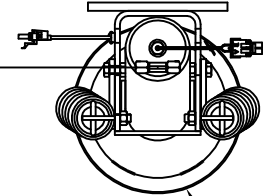
RIGHT
REAR
HOSE

LEFT
REAR
HOSE

TOP VIEW
AP33345
RIGHT REAR



NOTE: CROSS TIES REQUIRED
FOR FRONT AND REAR JACKS



TOP VIEW
AP33345
LEFT REAR

MODEL	HOSE KIT	LF HOSE	RF HOSE	RR HOSE	LR HOSE
S36GD	AP19679	AP2443	AP5352	AP27563	AP4312

LEVELING SYSTEM: AP36800

NO.	DATE	REVISION

HWH I-80 EXIT 267 SOUTH
RT 1 MOSCOW, IOWA 52760

SCALE 1:6 DATE 29DEC05 DRAWN BY .

HYD CONN DIAGRAM

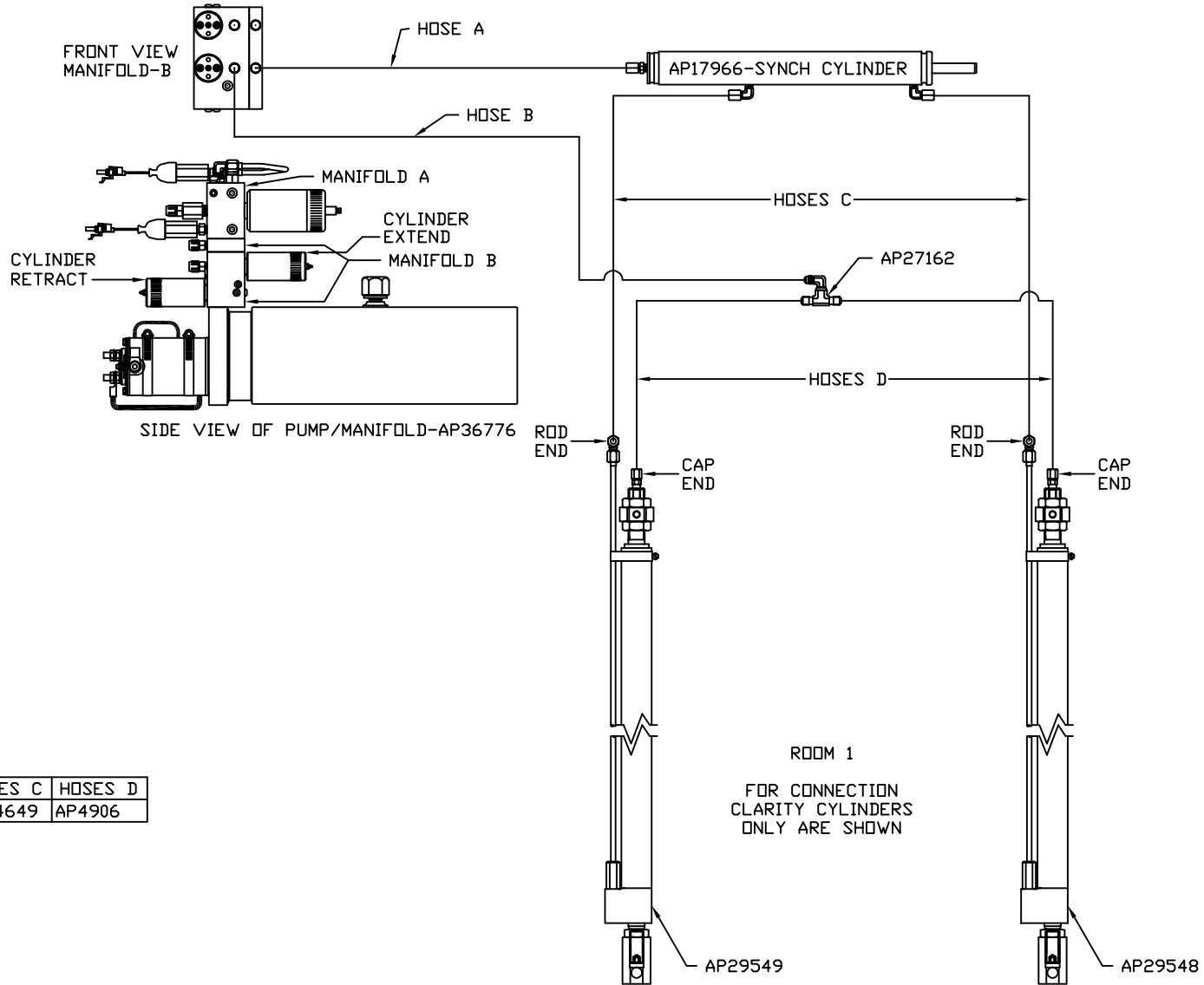
THE INFORMATION DISCLOSED ON THIS DRAWING IS CONFIDENTIAL AND MUST NOT BE DISCLOSED OR USED IN ANY MANNER WHICH WILL BE DETRIMENTAL TO THE HWH CORPORATION

WINNEBAGO DRAWING NUMBER
MP69508 A/C

ORIENTATION
 ← FRONT

NOTE: HOSES C MUST BE HIGH PRESSURE HOSES OF EQUAL LENGTH AND DIAMETER

NOTE: HOSES D MUST BE EQUAL LENGTH AND DIAMETER



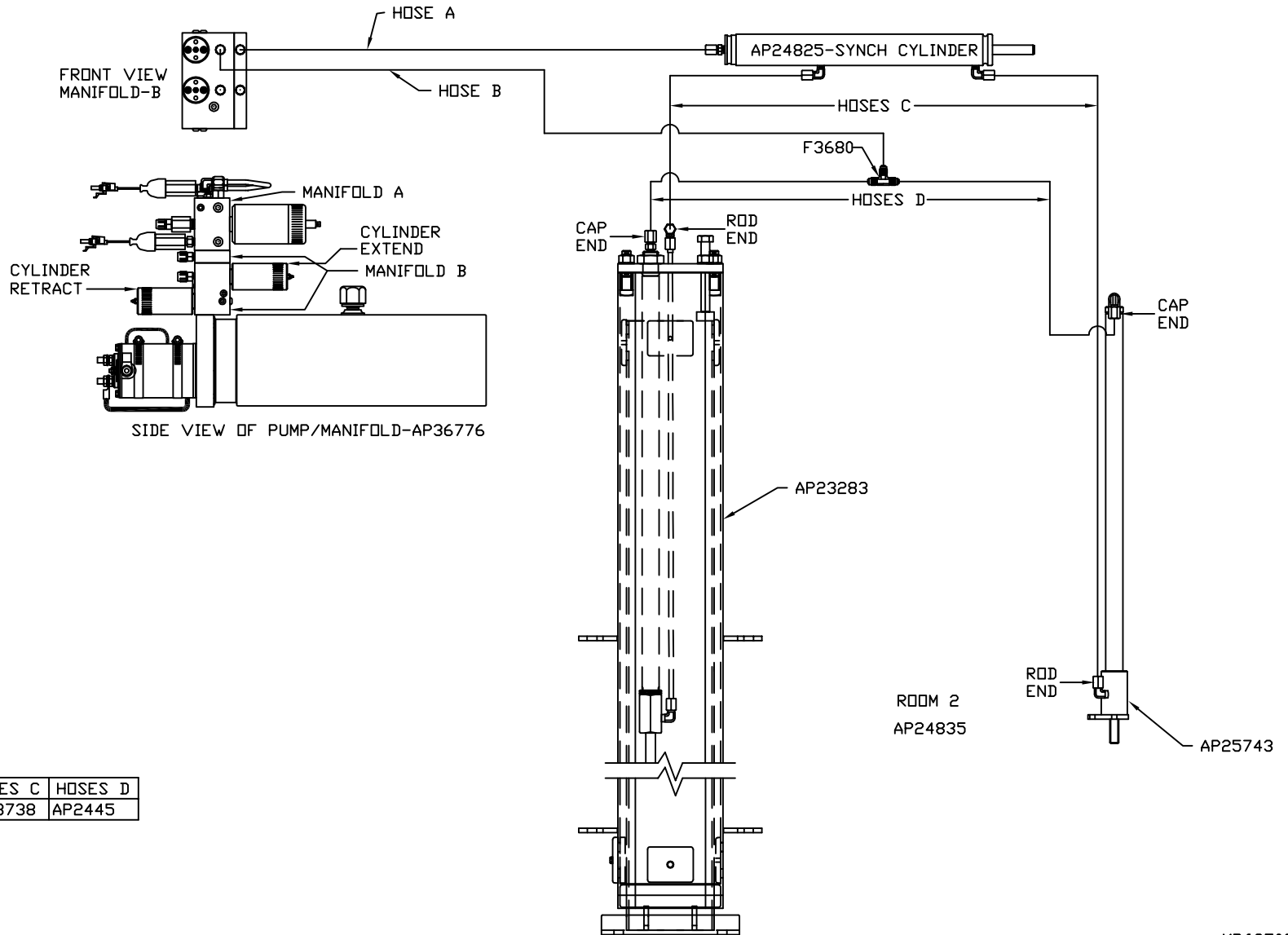
MODEL	HOSE A	HOSE B	HOSES C	HOSES D
S36GD	AP5924	AP11212	AP24649	AP4906

ORIENTATION

← FRONT

NOTE: HOSES C MUST BE HIGH PRESSURE HOSES OF EQUAL LENGTH AND DIAMETER

NOTE: HOSES D MUST BE EQUAL LENGTH AND DIAMETER



MODEL	HOSE A	HOSE B	HOSES C	HOSES D
S36GD	AP4669	AP6117	AP23738	AP2445