

NOTE: NEWMAR WILL PURCHASE BULK HOSE AND FITTINGS FROM HWH CORPORATION.

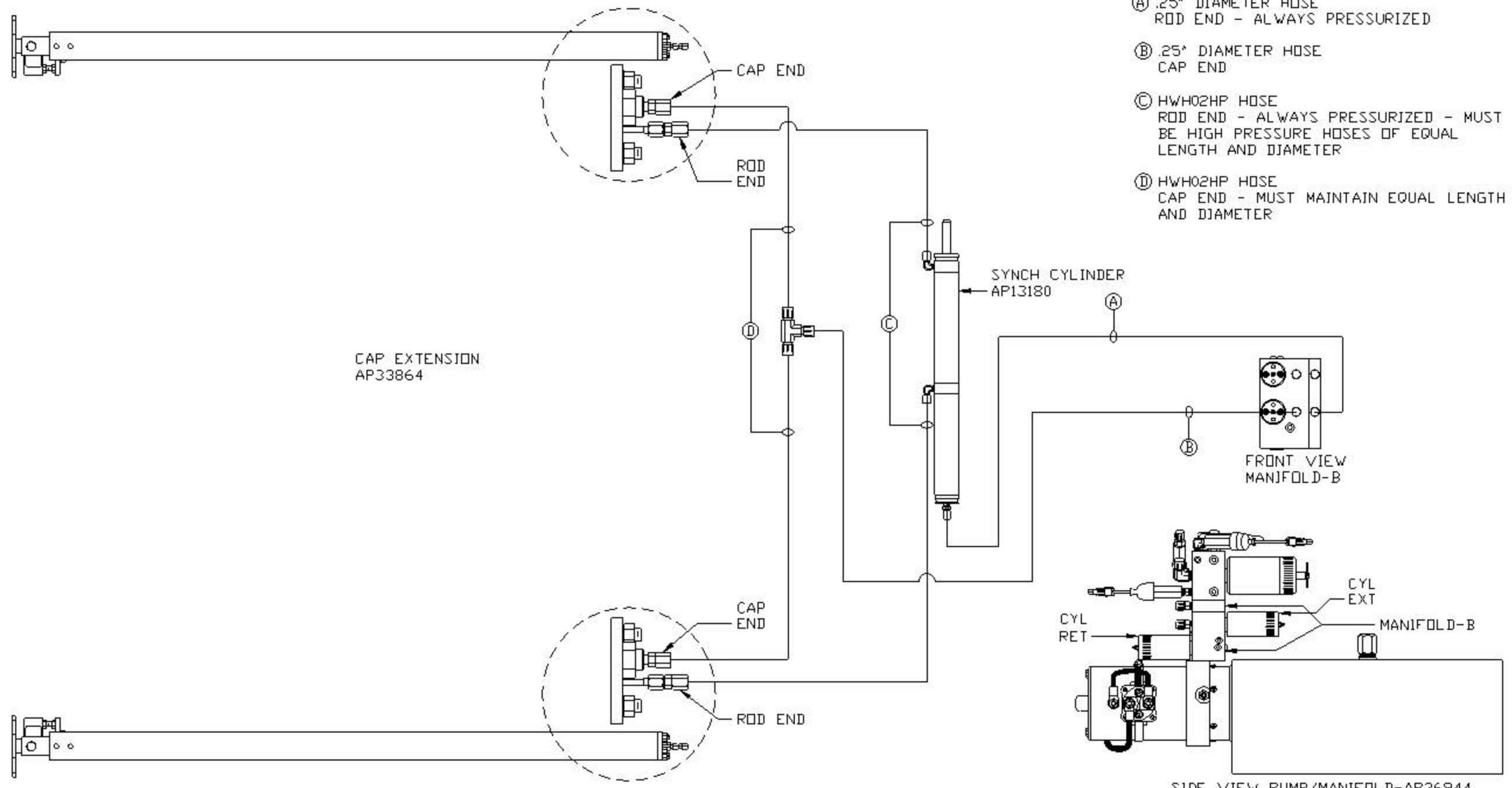
LEVELING SYSTEM: AP36897

▲	15MAR06	WAS AP25679, AP24632
NO.	DATE	REVISION

THE INFORMATION DISCLOSED ON THIS DRAWING IS CONFIDENTIAL AND MUST NOT BE DISCLOSED OR USED IN ANY MANNER WHICH WILL BE DETRIMENTAL TO THE HWH CORPORATION

HWH			I-80 EXIT 267 SOUTH RT 1 MOSCOW, IOWA 52760		
SCALE 1:6	DATE 14NOV05	DRAWN BY .			
HYD CONN DIAGRAM					
NEWMAR K3				DRAWING NUMBER MP69511 A/C	

ORIENTATION
← FRONT



NOTE: NEWMAR WILL PURCHASE BULK HOSE AND FITTINGS FROM HWH CORPORATION.

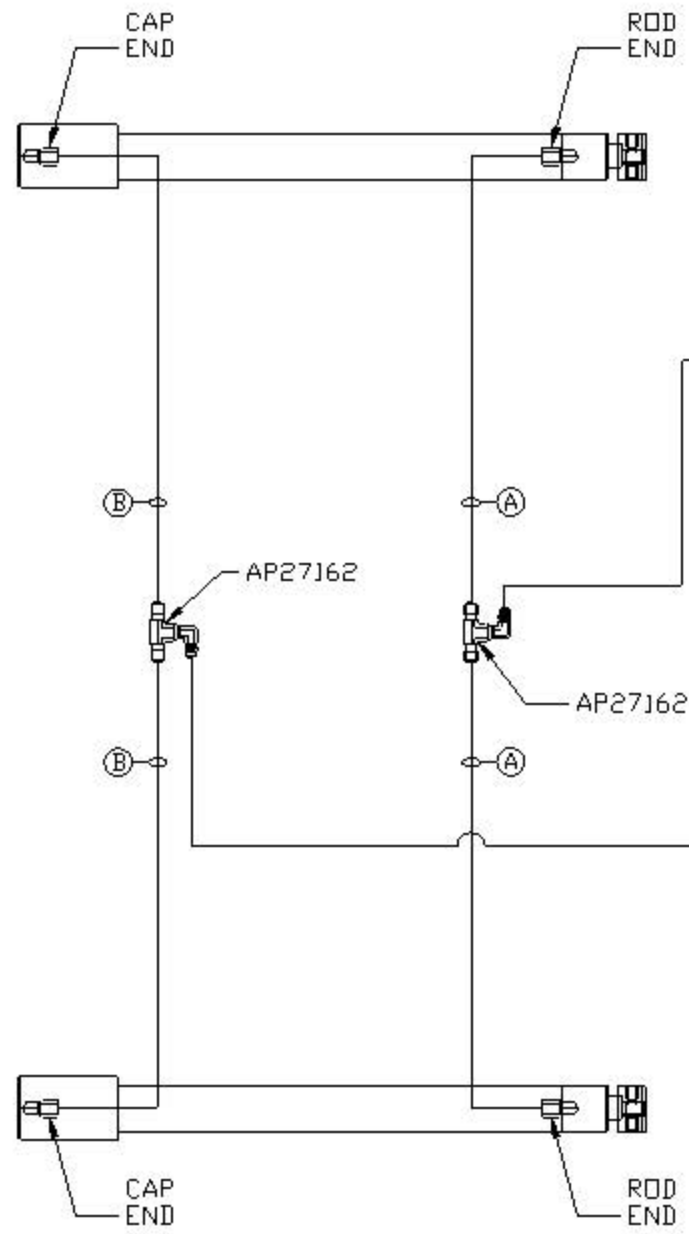
LOCATION AND ORIENTATION OF PUMP/MANIFOLD ASSEMBLY WILL DIFFER DEPENDING UPON D.E.M.

AP35175
DOOR LIFT ASSEMBLY

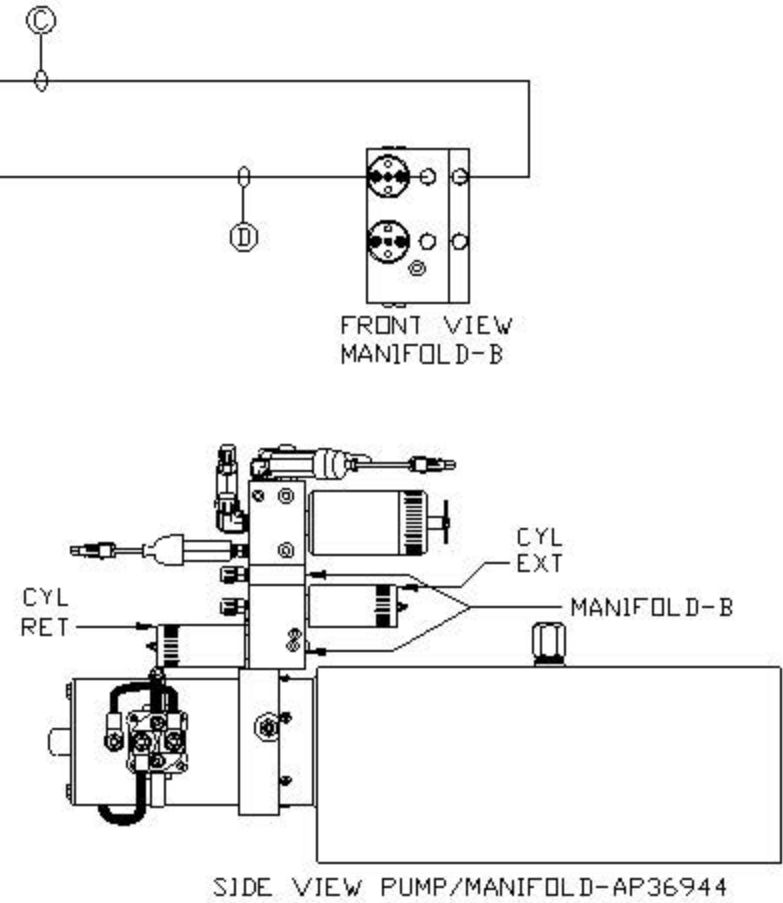
FOR CONNECTION CLARITY
CYLINDERS ONLY ARE
SHOWN

NOTE: NEWMAR WILL PURCHASE BULK HOSE
AND FITTINGS FROM HWH CORPORATION.

NOTE: HOSES (A) AND (B) ARE INCLUDED
WITH THE ROOM EXTENSION MECHANISM



- ⚠ (A) AP24643 HOSE ASSY HWH02HP x 126"
ROD END - ALWAYS PRESSURIZED - MUST
BE HIGH PRESSURE HOSES OF EQUAL
LENGTH AND DIAMETER
- ⚠ (B) AP24640 HOSE ASSY HWH02HP x 108"
CAP END - MUST MAINTAIN EQUAL LENGTH
AND DIAMETER
- (C) .25" DIAMETER HOSE
ROD END - ALWAYS PRESSURIZED
- (D) .25" DIAMETER HOSE
CAP END



LOCATION AND ORIENTATION OF
PUMP/MANIFOLD ASSEMBLY WILL
DIFFER DEPENDING UPON D.E.M.