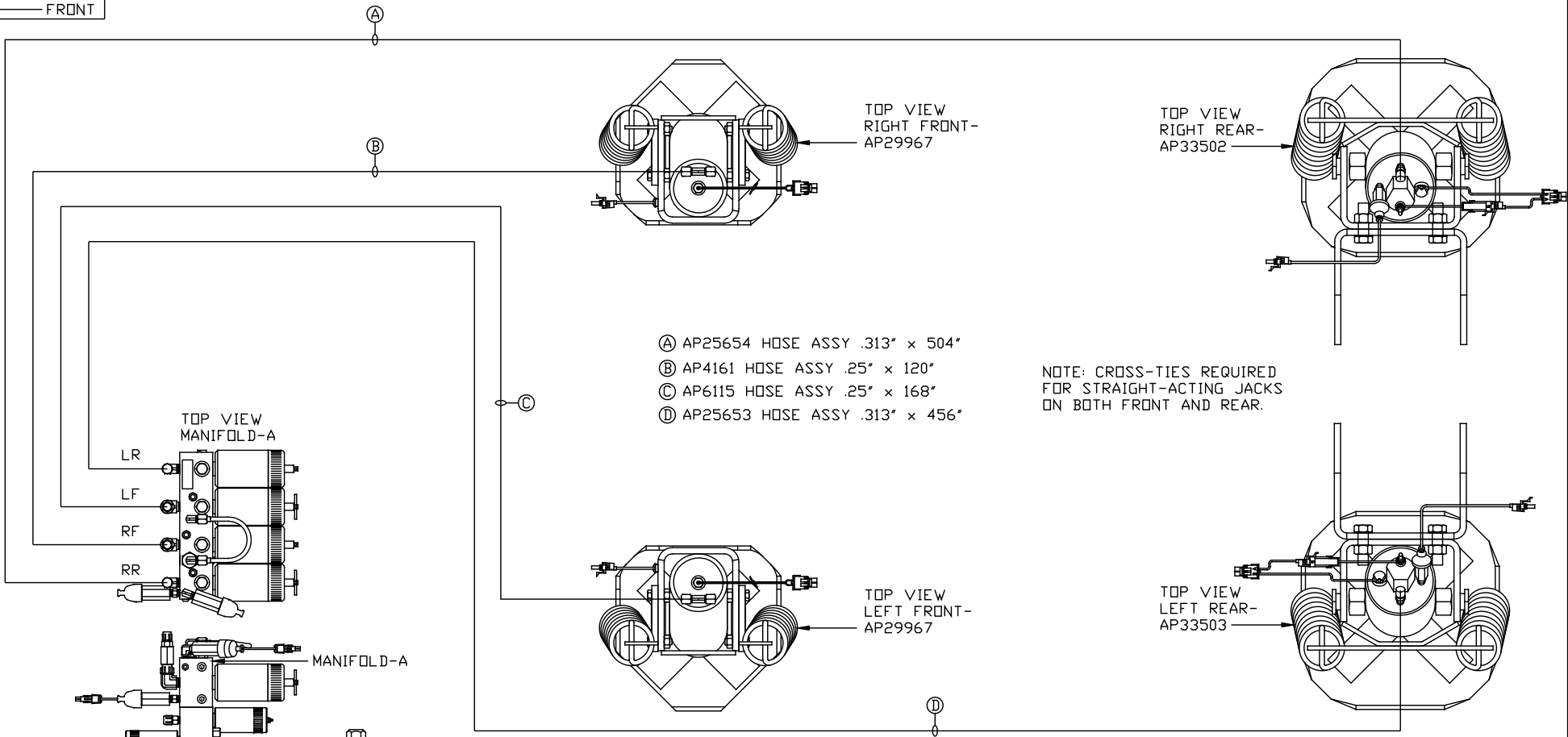
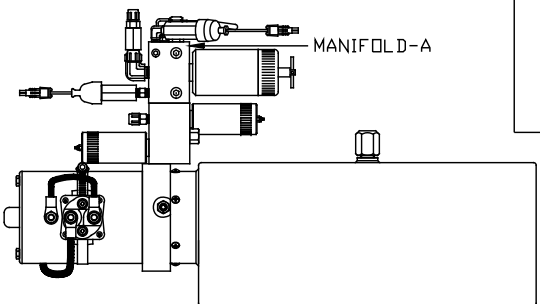
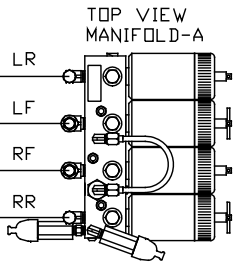


ORIENTATION
← FRONT



- Ⓐ AP25654 HOSE ASSY .313" x 504"
- Ⓑ AP4161 HOSE ASSY .25" x 120"
- Ⓒ AP6115 HOSE ASSY .25" x 168"
- Ⓓ AP25653 HOSE ASSY .313" x 456"

NOTE: CROSS-TIES REQUIRED FOR STRAIGHT-ACTING JACKS ON BOTH FRONT AND REAR.



SIDE VIEW PUMP/MANIFOLD-AP30220

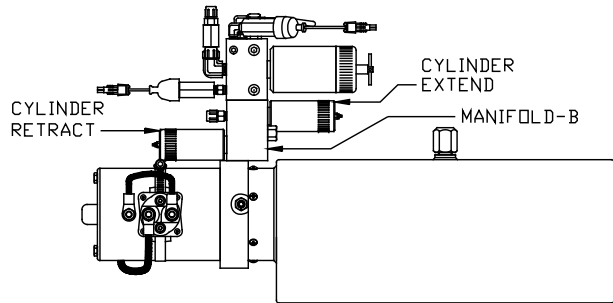
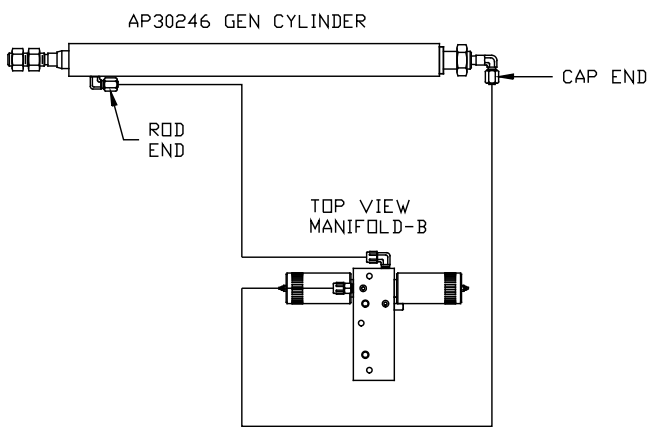
LOCATION AND ORIENTATION OF PUMP/MANIFOLD ASSEMBLY WILL DIFFER DEPENDING UPON O.E.M.

LEVELING SYSTEM: AP36940

		HWH		I-80 EXIT 267 SOUTH RT 1 MOSCOW, IOWA 52760	
		SCALE 1:6	DATE 22NOV05	DRAWN BY .	
		HYD CONN DIAGRAM			
		NEWMAR K2		DRAWING NUMBER MP69520 A/B	
		THE INFORMATION DISCLOSED ON THIS DRAWING IS CONFIDENTIAL AND MUST NOT BE DISCLOSED OR USED IN ANY MANNER WHICH WILL BE DETRIMENTAL TO THE HWH CORPORATION			

ORIENTATION

← FRONT



SIDE VIEW PUMP/MANIFOLD-AP30220

LOCATION AND ORIENTATION OF
PUMP/MANIFOLD ASSEMBLY WILL
DIFFER DEPENDING UPON O.E.M.