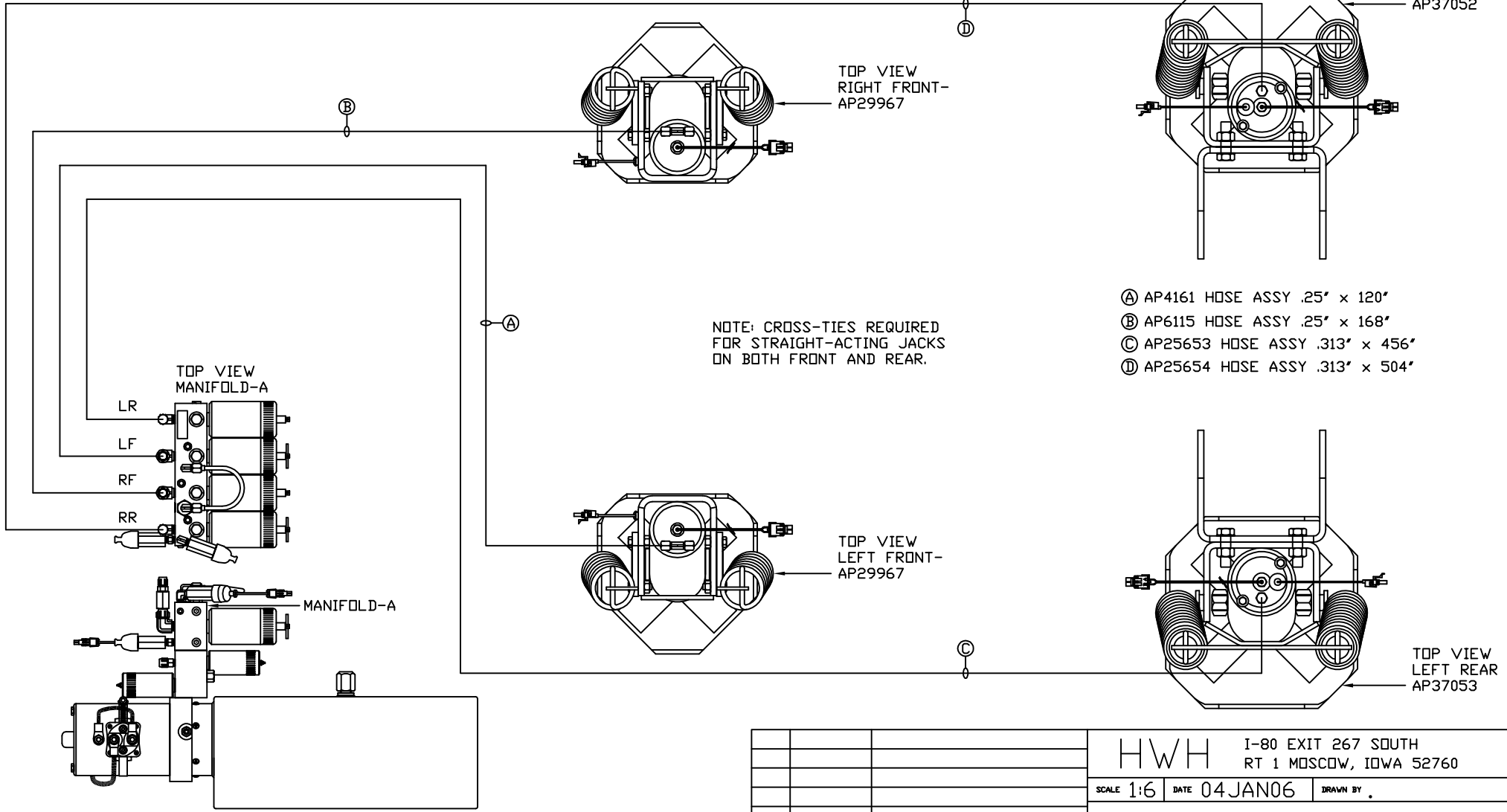


ORIENTATION
← FRONT



TOP VIEW
RIGHT FRONT-
AP29967

TOP VIEW
RIGHT REAR
AP37052

NOTE: CROSS-TIES REQUIRED
FOR STRAIGHT-ACTING JACKS
ON BOTH FRONT AND REAR.

- Ⓐ AP4161 HOSE ASSY .25' x 120'
- Ⓑ AP6115 HOSE ASSY .25' x 168'
- Ⓒ AP25653 HOSE ASSY .313' x 456'
- Ⓓ AP25654 HOSE ASSY .313' x 504'

TOP VIEW
LEFT FRONT-
AP29967

TOP VIEW
LEFT REAR
AP37053

TOP VIEW
MANIFOLD-A

SIDE VIEW PUMP/MANIFOLD-AP30220

LOCATION AND ORIENTATION OF
PUMP/MANIFOLD ASSEMBLY WILL
DIFFER DEPENDING UPON O.E.M.

LEVELING SYSTEM: AP37046

HWH I-80 EXIT 267 SOUTH
RT 1 MOSCOW, IOWA 52760

SCALE 1:6 DATE 04JAN06 DRAWN BY .

HYD CONN DIAGRAM

NEWMAR K2

DRAWING NUMBER
MP69528 A/B

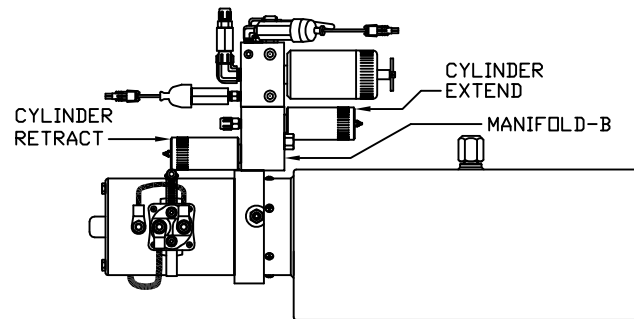
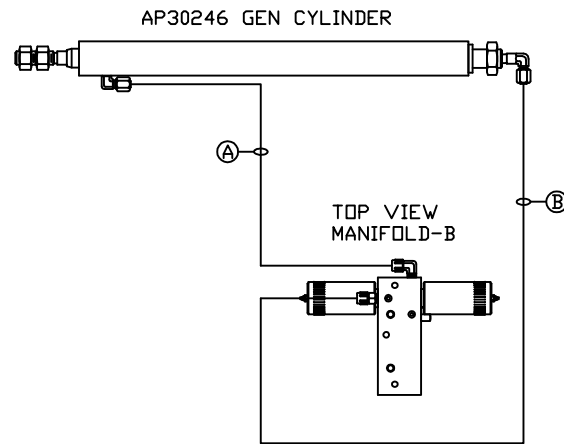
NO.	DATE	REVISION

THE INFORMATION DISCLOSED ON THIS DRAWING IS CONFIDENTIAL AND MUST NOT BE DISCLOSED OR USED IN ANY MANNER WHICH WILL BE DETRIMENTAL TO THE HWH CORPORATION

ORIENTATION

← FRONT

- Ⓐ ROD END - ALWAYS PRESSURIZED
- Ⓑ CAP END



SIDE VIEW PUMP/MANIFOLD-AP30220

LOCATION AND ORIENTATION OF
PUMP/MANIFOLD ASSEMBLY WILL
DIFFER DEPENDING UPON O.E.M.

NOTE: NEWMAR WILL PURCHASE BULK HOSE
AND FITTINGS FROM HWH CORPORATION.