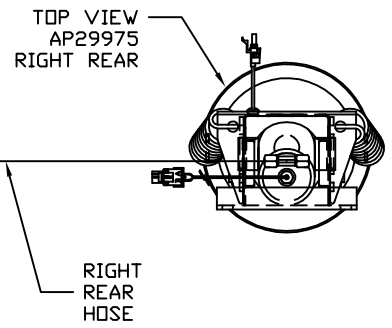
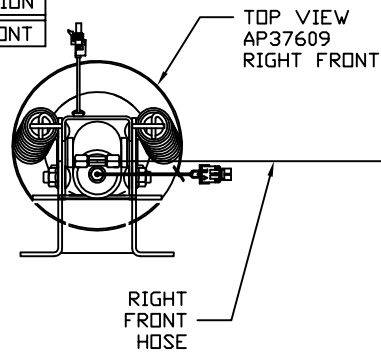
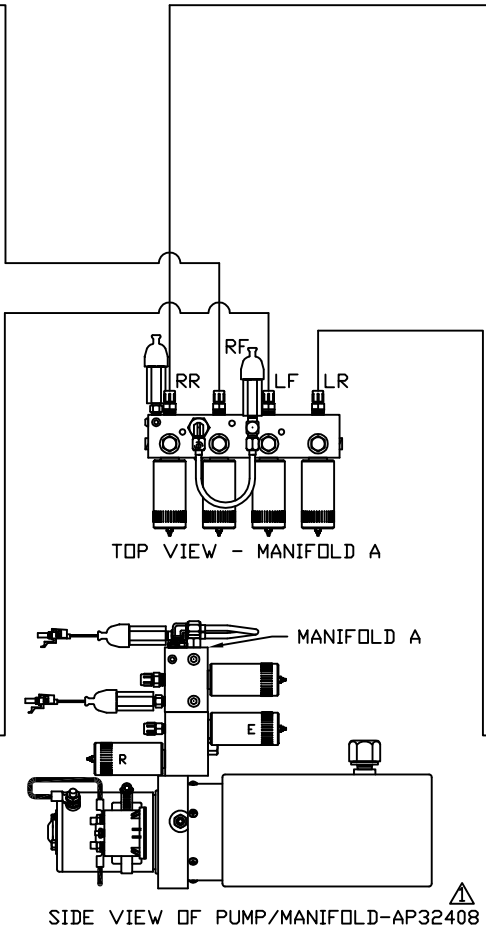
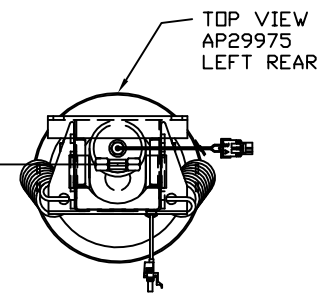
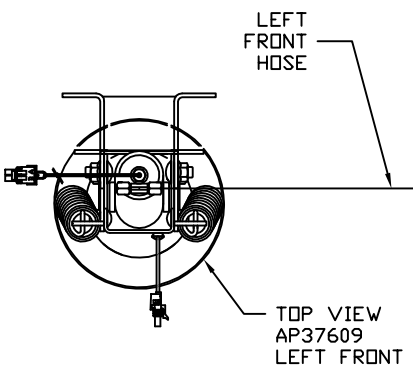


ORIENTATION
← FRONT



NOTE: CROSS TIES REQUIRED FOR FRONT AND REAR JACKS



WORKHORSE CHASSIS - SHELL WITH ONE ROOM

MODEL	HOSE KIT	LF HOSE	RF HOSE	RR HOSE	LR HOSE
F38S	AP32708	AP4073	AP7832	AP4904	AP4729

NOTE: INSTALLATION MUST CONFORM TO GOOD SHOP PRACTICES, SAE STANDARDS, RVIA STANDARDS, AND OTHER APPLICABLE STANDARDS. LEVELING SYSTEM: AP38127

NO.	DATE	REVISION
2	09APR07	ADDED INSTALLATION NOTE
1	09APR07	WAS AP34691

HWH I-80 EXIT 267 SOUTH
RT 1 MOSCOW, IOWA 52760

SCALE 1:6 DATE 26JUN06 DRAWN BY .

HYD CONN DIAGRAM

THE INFORMATION DISCLOSED ON THIS DRAWING IS CONFIDENTIAL AND MUST NOT BE DISCLOSED OR USED IN ANY MANNER WHICH WILL BE DETRIMENTAL TO THE HWH CORPORATION

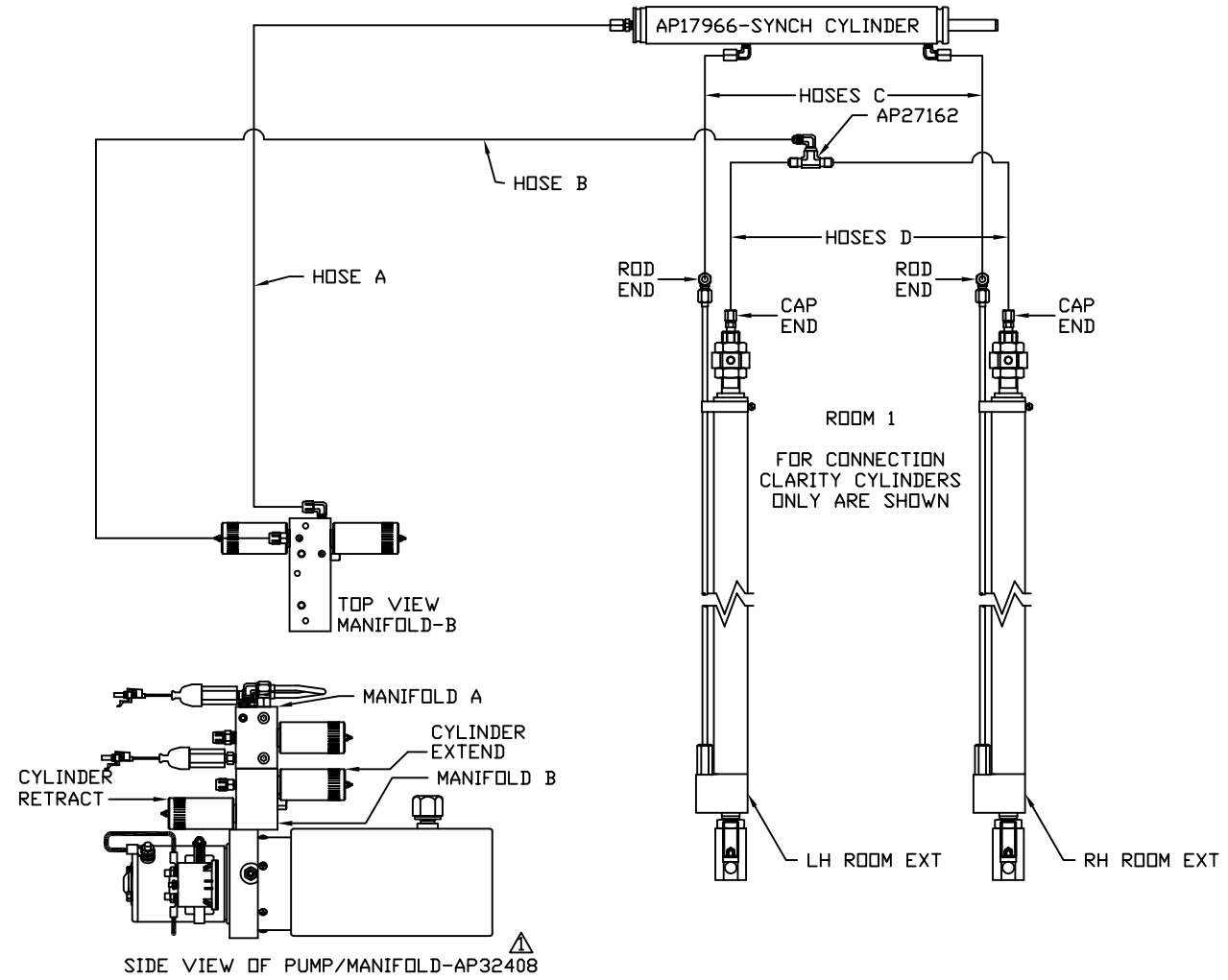
WINNEBAGO DRAWING NUMBER MP69619 A/B

ORIENTATION
 ← FRONT

MODEL	HOSE A	HOSE B	HOSES C	HOSES D	LH ROOM EXT	RH ROOM EXT
F38S	AP5965	AP7358	AP24649	AP4906	AP33810	AP33810

NOTE: HOSES C MUST BE HIGH PRESSURE HOSES OF EQUAL LENGTH AND DIAMETER

NOTE: HOSES D MUST BE EQUAL LENGTH AND DIAMETER



ROOM 1
 FOR CONNECTION CLARITY CYLINDERS ONLY ARE SHOWN

NOTE: INSTALLATION MUST CONFORM TO GOOD SHOP PRACTICES, SAE STANDARDS, RVIA STANDARDS, AND OTHER APPLICABLE STANDARDS.

MP69619 B/B
 09APR07