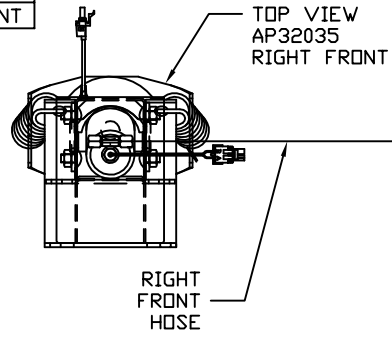
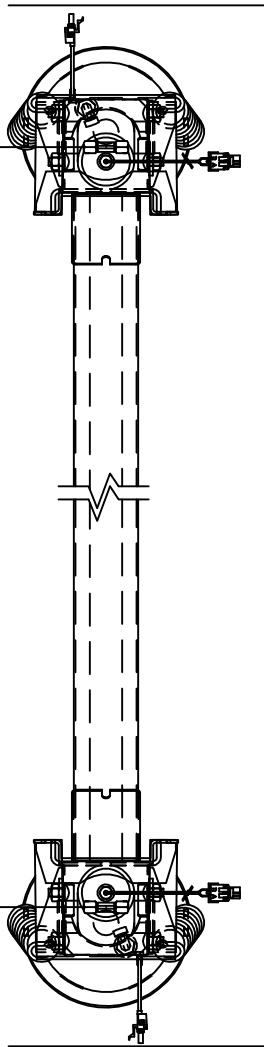
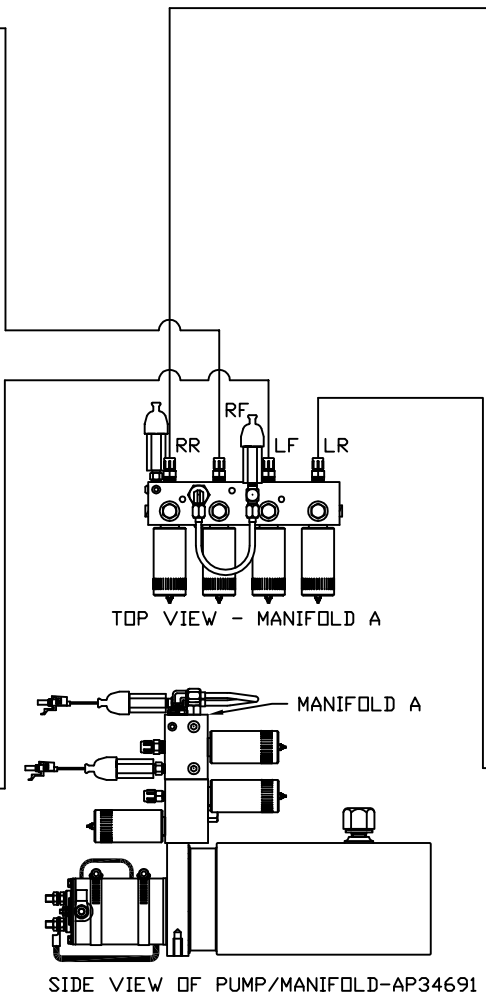
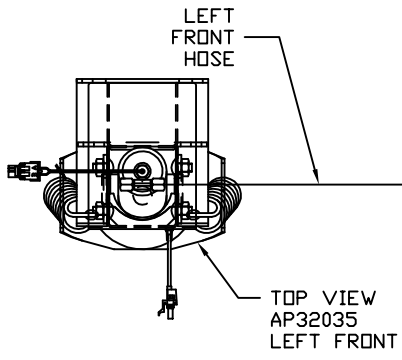


ORIENTATION  
← FRONT



NOTE: CROSS TIES REQUIRED FOR FRONT AND REAR JACKS



TOP VIEW AP31983 REAR JACKS

MODEL	HOSE KIT	LF HOSE	RF HOSE	RR HOSE	LR HOSE
F38J	AP32130	AP4073	AP7832	AP2464	AP4064

LEVELING SYSTEM: AP38131

NO.	DATE	REVISION

HWH I-80 EXIT 267 SOUTH  
RT 1 MOSCOW, IOWA 52760

SCALE 1:6 DATE 15JUN06 DRAWN BY .

HYD CONN DIAGRAM

THE INFORMATION DISCLOSED ON THIS DRAWING IS CONFIDENTIAL AND MUST NOT BE DISCLOSED OR USED IN ANY MANNER WHICH WILL BE DETRIMENTAL TO THE HWH CORPORATION

WINNEBAGO DRAWING NUMBER MP69620 A/B

ORIENTATION  
 ← FRONT

MODEL	HOSE A	HOSE B	HOSES C	HOSES D
F38S	AP4665	AP5616	AP24649	AP4906

NOTE: HOSES C MUST BE HIGH PRESSURE HOSES OF EQUAL LENGTH AND DIAMETER

NOTE: HOSES D MUST BE EQUAL LENGTH AND DIAMETER

