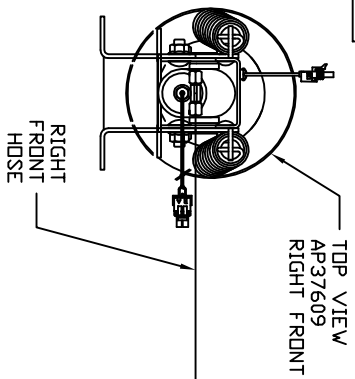
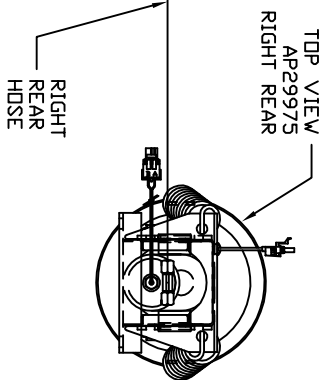
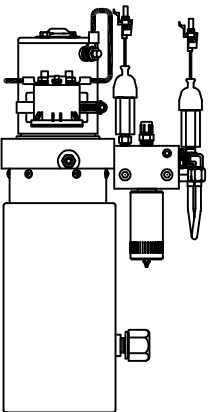
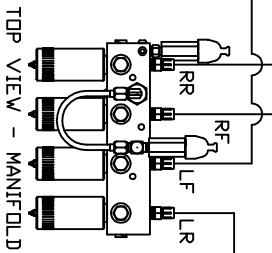
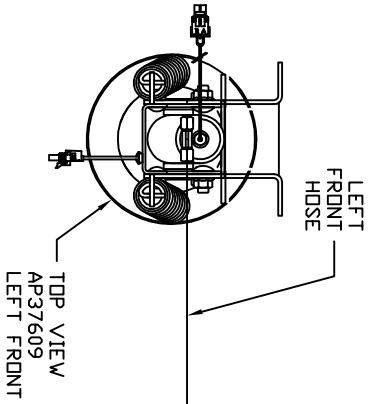


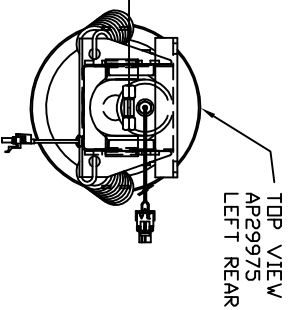
ORIENTATION
FRONT



NOTE: CROSS TIES REQUIRED FOR FRONT AND REAR JACKS



LEFT REAR HOSE



WORKHORSE CHASSIS - SHELL WITH NO ROOMS

MODEL	HOSE KIT	LF HOSE	RF HOSE	RR HOSE	LR HOSE
F38S	AP32130	AP4073	AP7832	AP2464	AP4064

NOTE: INSTALLATION MUST CONFORM TO GOOD SHOP PRACTICES, SAE STANDARDS, RVIA STANDARDS, AND OTHER APPLICABLE STANDARDS.

LEVELING SYSTEM: AP38125

2	09APR07	ADDED INSTALLATION NOTE	
1	09APR07	WAS AP32351 REVISION	

SCALE	DATE	DATE	DRAWN BY
1:6	14 JUN 06		
HWH 1-80 EXIT 267 SOUTH RT 1 MOSCOV, IDWA 52760			
HYD CONN DIAGRAM			
WINNEBAGO			DRAWING NUMBER MP69621

THE INFORMATION DISCLOSED ON THIS DRAWING IS CONFIDENTIAL AND MUST NOT BE DISCLOSED OR USED IN ANY MANNER WHICH WILL BE DETRIMENTAL TO THE HWH CORPORATION