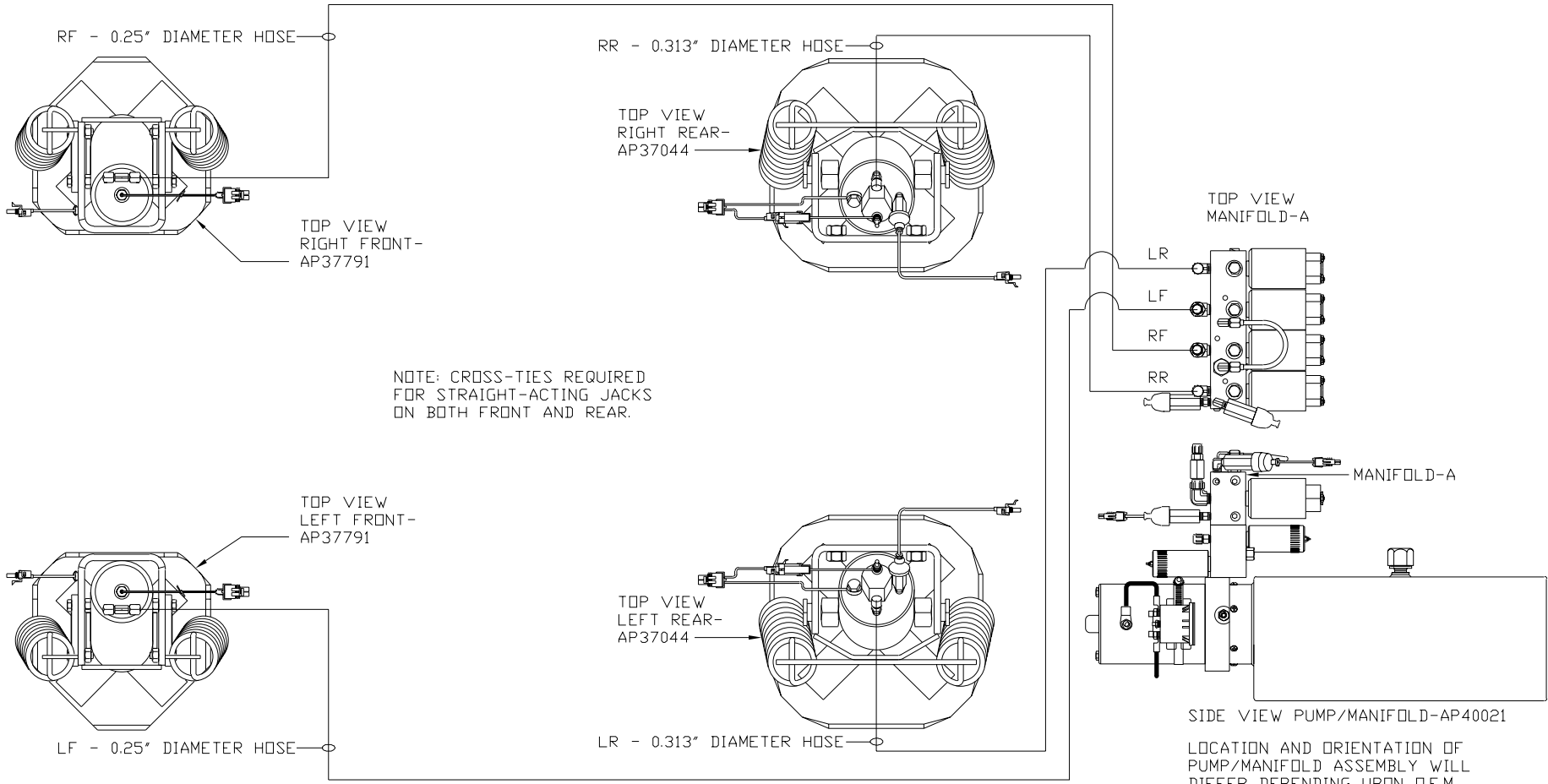


ORIENTATION

← FRONT



NOTE: NEWMAR WILL PURCHASE BULK HOSE AND FITTINGS FROM HWH CORPORATION.

NOTE: INSTALLATION MUST CONFORM TO GOOD SHOP PRACTICES, SAE STANDARDS, RVIA STANDARDS, AND OTHER APPLICABLE STANDARDS. LEVELING SYSTEM: AP39788

1	10APR07	ADDED INSTALLATION NOTE
NO.	DATE	REVISION
THE INFORMATION DISCLOSED ON THIS DRAWING IS CONFIDENTIAL AND MUST NOT BE DISCLOSED OR USED IN ANY MANNER WHICH WILL BE DETRIMENTAL TO THE HWH CORPORATION		

HWH I-80 EXIT 267 SOUTH
RT 1 MOSCOW, IOWA 52760

SCALE 1:6 DATE 19FEB07 DRAWN BY .

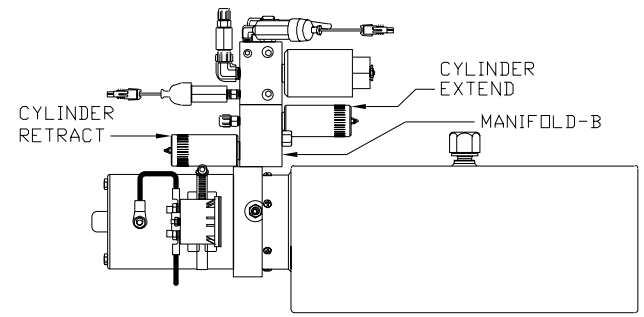
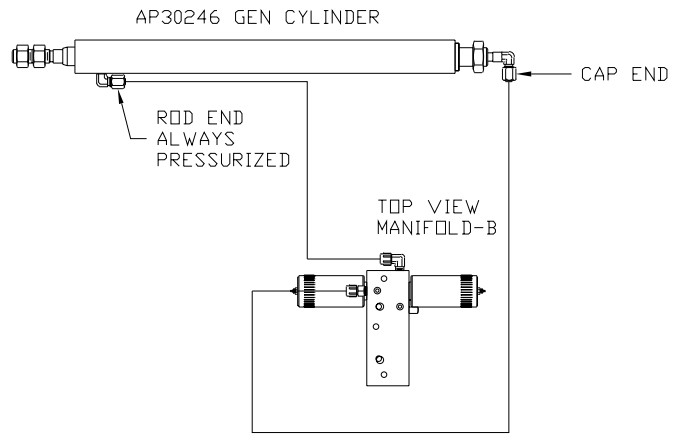
HYD CONN DIAGRAM

NEWMAR

DRAWING NUMBER
MP69731 A/B

ORIENTATION

← FRONT



LOCATION AND ORIENTATION OF PUMP/MANIFOLD ASSEMBLY WILL DIFFER DEPENDING UPON O.E.M.

NOTE: NEWMAR WILL PURCHASE BULK HOSE AND FITTINGS FROM HWH CORPORATION.

NOTE: INSTALLATION MUST CONFORM TO GOOD SHOP PRACTICES, SAE STANDARDS, RVIA STANDARDS, AND OTHER APPLICABLE STANDARDS.

MP69731 B/B
10APR07