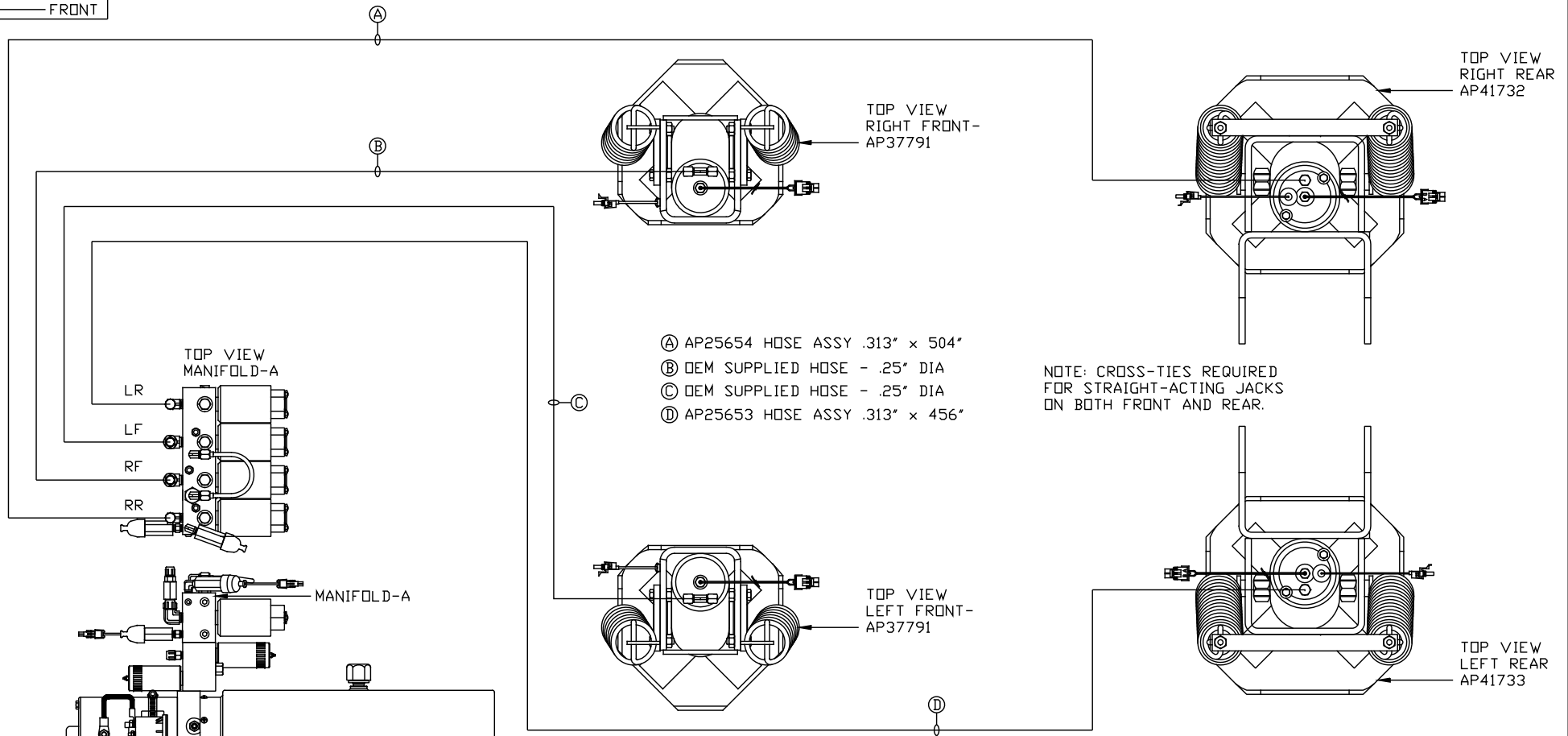
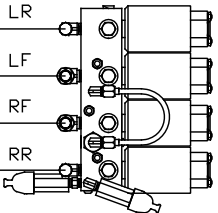


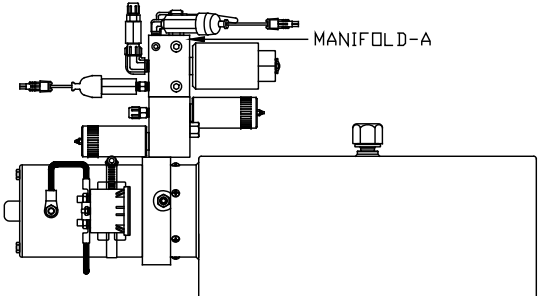
ORIENTATION
← FRONT



TOP VIEW
MANIFOLD-A



MANIFOLD-A



SIDE VIEW PUMP/MANIFOLD-AP40021

LOCATION AND ORIENTATION OF
PUMP/MANIFOLD ASSEMBLY WILL
DIFFER DEPENDING UPON O.E.M.

- Ⓐ AP25654 HOSE ASSY .313" x 504"
- Ⓑ DEM SUPPLIED HOSE - .25" DIA
- Ⓒ DEM SUPPLIED HOSE - .25" DIA
- Ⓓ AP25653 HOSE ASSY .313" x 456"

NOTE: CROSS-TIES REQUIRED
FOR STRAIGHT-ACTING JACKS
ON BOTH FRONT AND REAR.

NOTE: INSTALLATION MUST CONFORM TO GOOD SHOP PRACTICES, SAE
STANDARDS, RVIA STANDARDS, AND OTHER APPLICABLE STANDARDS.

LEVELING SYSTEM: AP41879

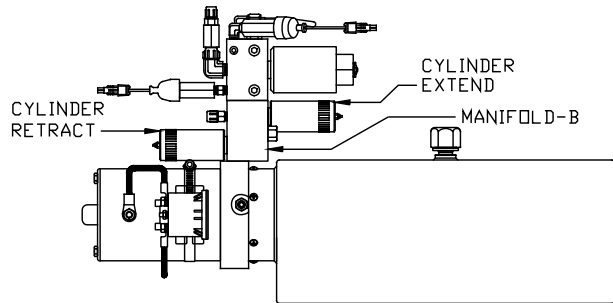
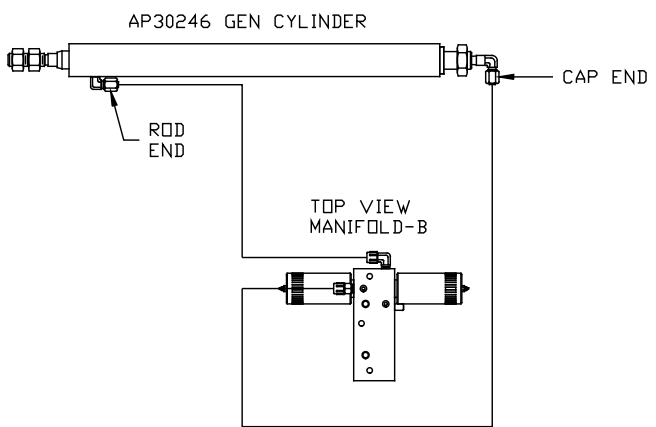
| NO. | DATE | REVISION |
|-----|------|----------|

THE INFORMATION DISCLOSED ON THIS DRAWING IS CON-
FIDENTIAL AND MUST NOT BE DISCLOSED OR USED IN ANY
MANNER WHICH WILL BE DETRIMENTAL TO THE HWH CORPORATION

| | | | | | |
|------------------|--------------|------------|--|-------------------------------|--|
| HWH | | | I-80 EXIT 267 SOUTH RT 1 MOSCOW, IOWA 52760 | | |
| SCALE 1:6 | DATE 19DEC07 | DRAWN BY . | | | |
| HYD CONN DIAGRAM | | | | | |
| NEWMAR | | | | DRAWING NUMBER MP69929 A/B | |

ORIENTATION

← FRONT



SIDE VIEW PUMP/MANIFOLD-AP40021

LOCATION AND ORIENTATION OF
PUMP/MANIFOLD ASSEMBLY WILL
DIFFER DEPENDING UPON O.E.M.

NOTE: INSTALLATION MUST CONFORM TO GOOD SHOP PRACTICES, SAE STANDARDS, RVIA STANDARDS, AND OTHER APPLICABLE STANDARDS.

MP69929 B/B
19DEC07