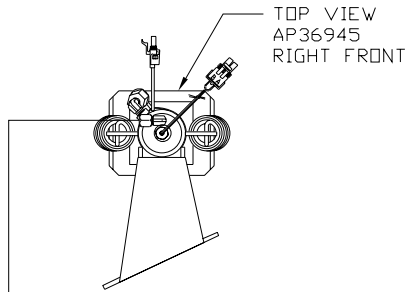
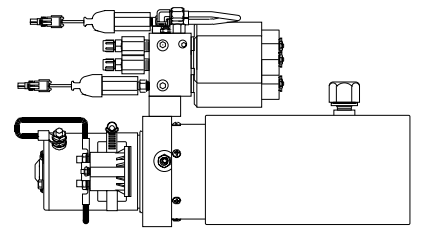
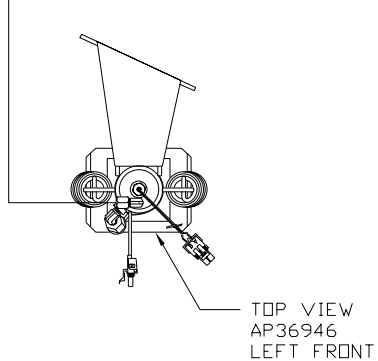
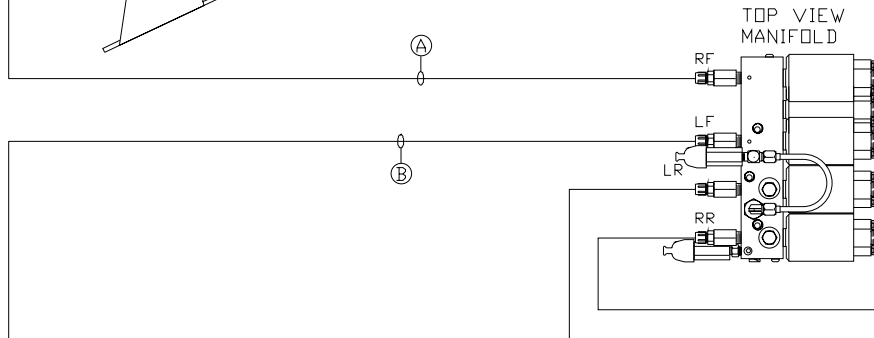
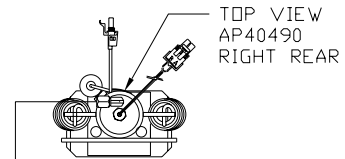


ORIENTATION

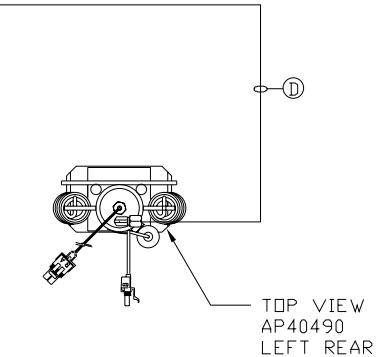
← FRONT



- Ⓐ AP5352 HOSE ASSY .25" x 96"
- Ⓑ AP4161 HOSE ASSY .25" x 120"
- Ⓒ AP5562 HOSE ASSY .25" x 276"
- Ⓓ AP6116 HOSE ASSY .25" x 240"



LOCATION AND ORIENTATION OF
PUMP/MANIFOLD ASSEMBLY WILL
DIFFER DEPENDING UPON O.E.M.



NOTE: INSTALLATION MUST CONFORM TO GOOD SHOP PRACTICES, SAE STANDARDS, RVIA STANDARDS, AND OTHER APPLICABLE STANDARDS.

LEVELING SYSTEM: AP42656

NO.	DATE	REVISION

THE INFORMATION DISCLOSED ON THIS DRAWING IS CONFIDENTIAL AND MUST NOT BE DISCLOSED OR USED IN ANY MANNER WHICH WILL BE DETRIMENTAL TO THE HWH CORPORATION

HWH I-80 EXIT 267 SOUTH
RT 1 MOSCOW, IOWA 52760

SCALE 1:6 DATE 17APR08 DRAWN BY .

HYD CONN DIAGRAM

PROGRESSIVE IND.

DRAWING NUMBER
MP69998