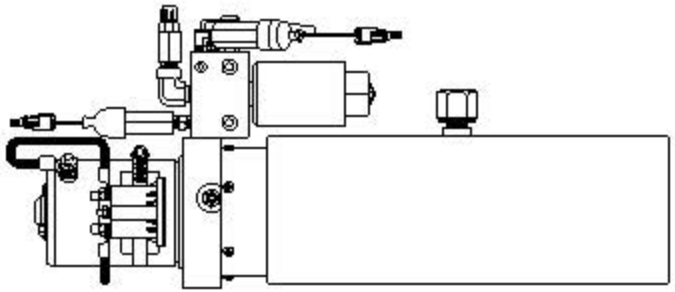
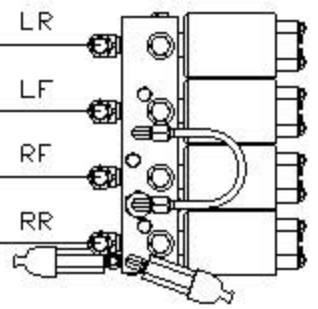


TOP VIEW MANIFOLD



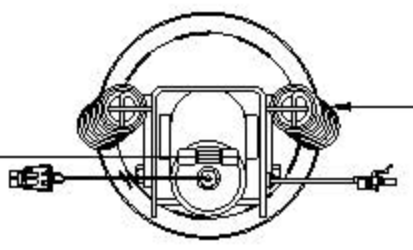
SIDE VIEW PUMP/MANIFOLD-AP38486

LOCATION AND ORIENTATION OF PUMP/MANIFOLD ASSEMBLY WILL DIFFER DEPENDING UPON D.E.M.

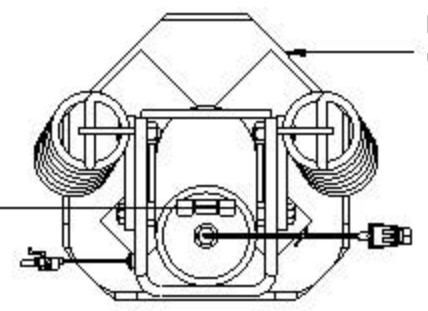
NOTE: NEWMAR WILL PURCHASE BULK HOSE AND FITTINGS FROM HWH CORPORATION. ALL HOSES .25" ID.

NOTE: CROSS-TIES REQUIRED FOR STRAIGHT-ACTING JACKS ON BOTH FRONT AND REAR.

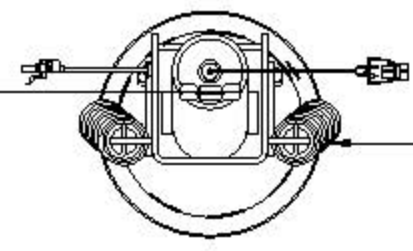
TOP VIEW RIGHT FRONT- AP43097



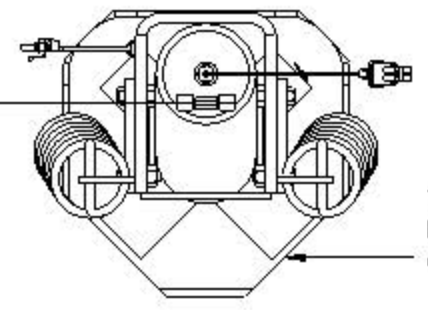
TOP VIEW RIGHT REAR AP37791



TOP VIEW LEFT FRONT- AP43097



TOP VIEW LEFT REAR AP37791



NO.	DATE	REVISION

HWH 1-80 EXIT 267 SOUTH
RT 1 MOSCOW, IOWA 52760
SCALE 1:6 DATE 30JUN08 DRAWN BY

HYD CONN DIAGRAM

THE INFORMATION DISCLOSED ON THIS DRAWING IS CONFIDENTIAL AND MUST NOT BE DISCLOSED OR USED IN ANY MANNER WHICH WILL BE DETRIMENTAL TO THE HWH CORPORATION

NEWMAR DRAWING NUMBER MP70020