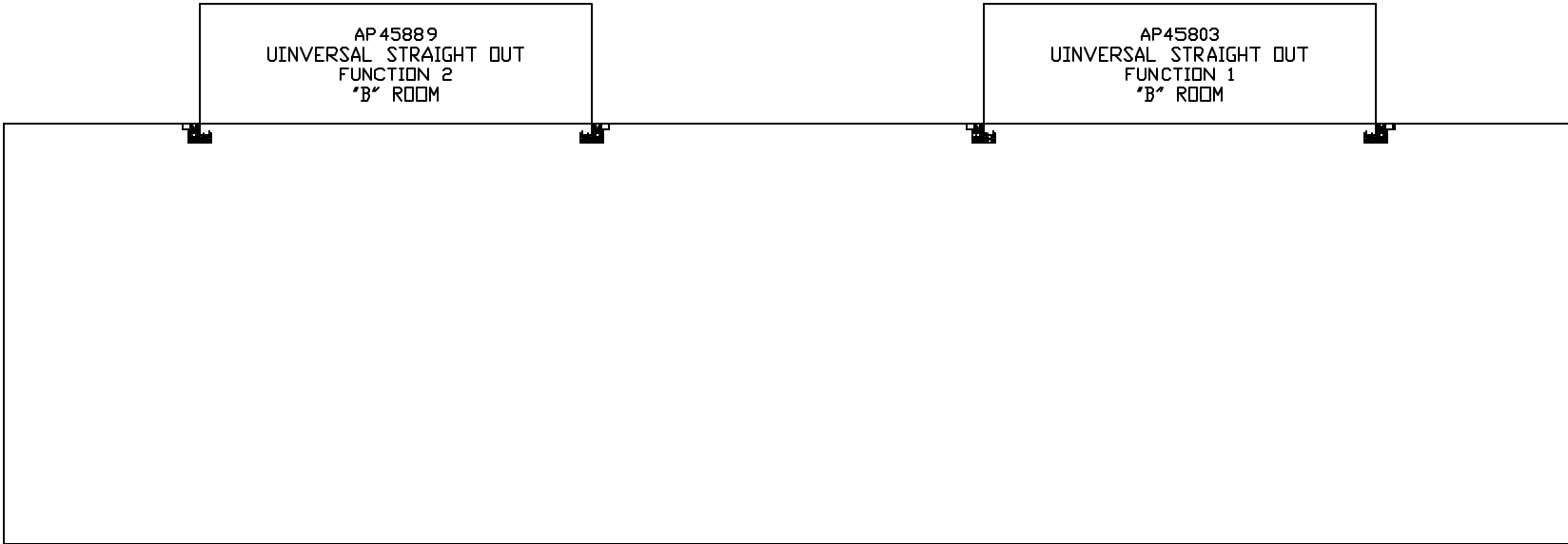


ORIENTATION
 ← FRONT



NOTE: INSTALLATION MUST CONFORM TO GOOD SHOP PRACTICES, SAE STANDARDS, RVIA STANDARDS, AND OTHER APPLICABLE STANDARDS.

CONTROL PACKAGE: AP45843

			HWH I-80 EXIT 267 SOUTH RT 1 MOSCOW, IOWA 52760		
			SCALE 1:6	DATE 19FEB10	DRAWN BY .
			HYD CONN DIAGRAM		
NO.	DATE	REVISION			
THE INFORMATION DISCLOSED ON THIS DRAWING IS CONFIDENTIAL AND MUST NOT BE DISCLOSED OR USED IN ANY MANNER WHICH WILL BE DETRIMENTAL TO THE HWH CORPORATION			LIGHTNIN		DRAWING NUMBER MP70230 A/C

ORIENTATION
 FRONT

NOTE: HOSES (C) AND (F) ARE INCLUDED WITH THE ROOM EXTENSION MECHANISM

(A) AP4164 HOSE ASSY .25" x 384"
 ROD END - ALWAYS PRESSURIZED

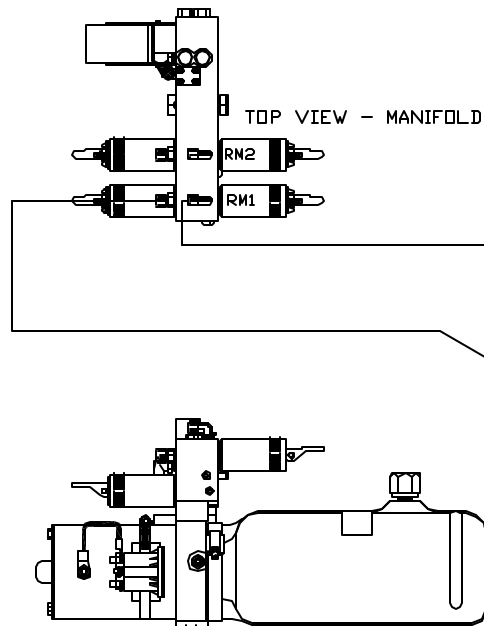
(B) AP4391 HOSE ASSY .25" x 372"
 CAP END

(C) AP24652 HOSE ASSY HWH02HP x 192"
 ROD END - ALWAYS PRESSURIZED - MUST BE HIGH PRESSURE HOSES OF EQUAL LENGTH AND DIAMETER

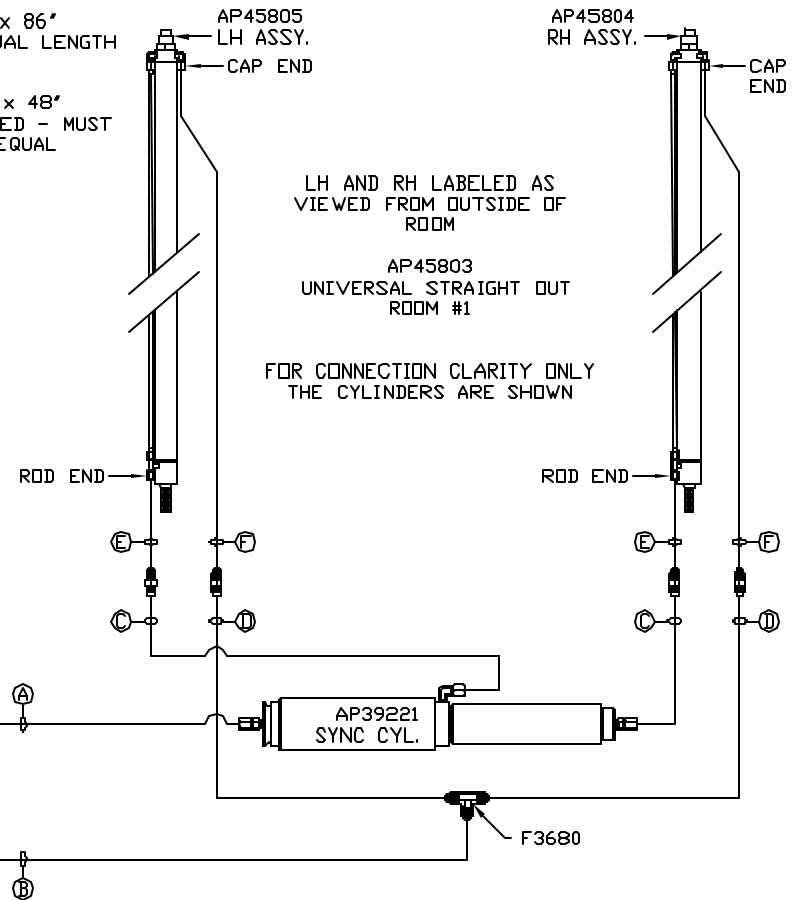
(D) AP4162 HOSE ASSY .25" x 192"
 CAP END - MUST MAINTAIN EQUAL LENGTH AND DIAMETER

(E) AP24818 HOSE ASSY HWH02HP x 86"
 CAP END - MUST MAINTAIN EQUAL LENGTH AND DIAMETER

(F) AP24632 HOSE ASSY HWH02HP x 48"
 ROD END - ALWAYS PRESSURIZED - MUST BE HIGH PRESSURE HOSES OF EQUAL LENGTH AND DIAMETER



LOCATION AND ORIENTATION OF PUMP/MANIFOLD ASSEMBLY WILL DIFFER DEPENDING UPON O.E.M.



NOTE: INSTALLATION MUST CONFORM TO GOOD SHOP PRACTICES, SAE STANDARDS, RVIA STANDARDS, AND OTHER APPLICABLE STANDARDS.

MP70230 B/C
 19FEB10

ORIENTATION
 FRONT

NOTE: HOSES (C) AND (F) ARE INCLUDED WITH THE ROOM EXTENSION MECHANISM

(A) AP5965 HOSE ASSY .25' x 180'
 ROD END - ALWAYS PRESSURIZED

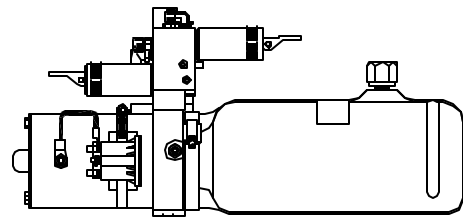
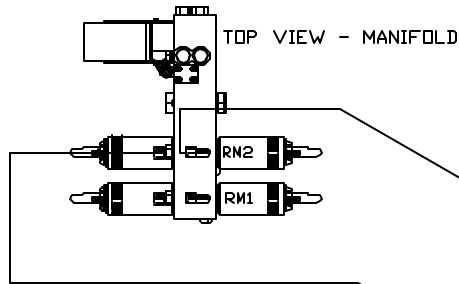
(B) AP4162 HOSE ASSY .25' x 192'
 CAP END

(C) AP24652 HOSE ASSY HWH02HP x 192'
 ROD END - ALWAYS PRESSURIZED - MUST BE HIGH PRESSURE HOSES OF EQUAL LENGTH AND DIAMETER

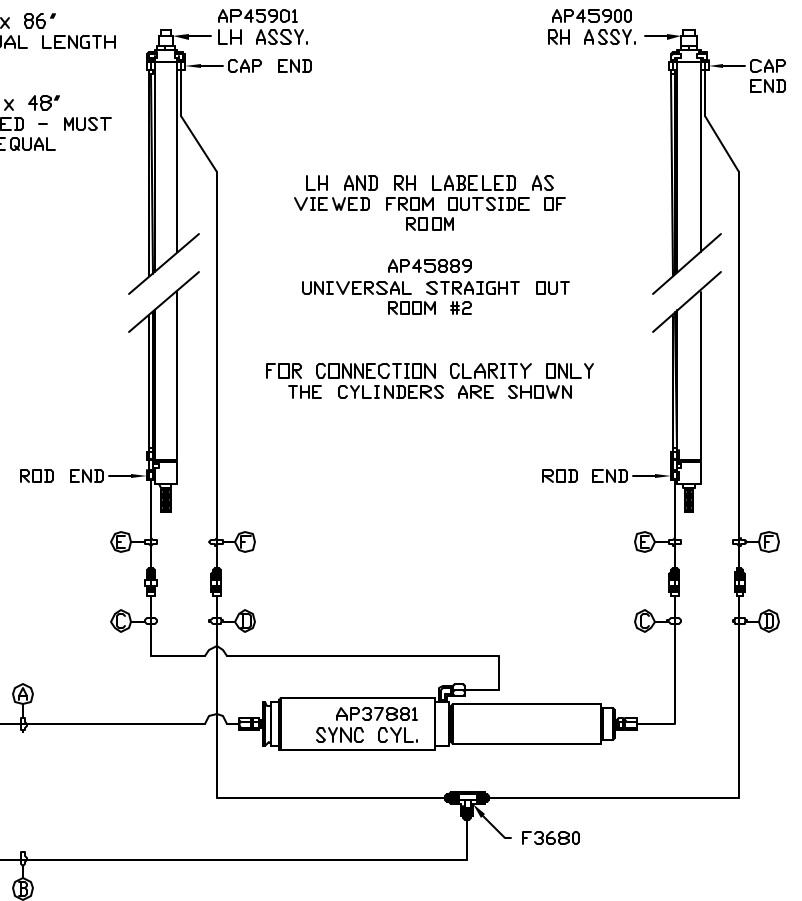
(D) AP4162 HOSE ASSY .25' x 192'
 CAP END - MUST MAINTAIN EQUAL LENGTH AND DIAMETER

(E) AP24818 HOSE ASSY HWH02HP x 86'
 CAP END - MUST MAINTAIN EQUAL LENGTH AND DIAMETER

(F) AP24632 HOSE ASSY HWH02HP x 48'
 ROD END - ALWAYS PRESSURIZED - MUST BE HIGH PRESSURE HOSES OF EQUAL LENGTH AND DIAMETER



LOCATION AND ORIENTATION OF PUMP/MANIFOLD ASSEMBLY WILL DIFFER DEPENDING UPON O.E.M.



NOTE: INSTALLATION MUST CONFORM TO GOOD SHOP PRACTICES, SAE STANDARDS, RVIA STANDARDS, AND OTHER APPLICABLE STANDARDS.

MP70230 C/C
 19FEB10