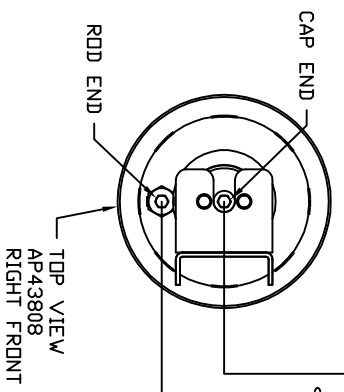
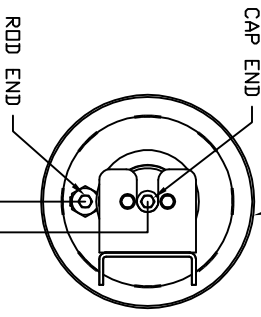
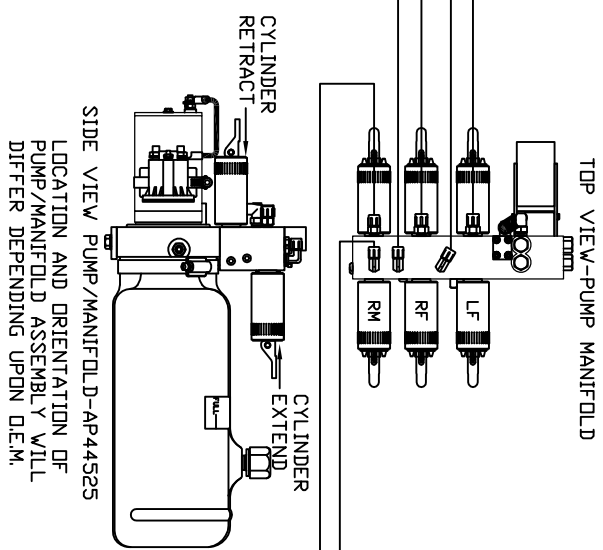


ORIENTATION
FRONT

TOP VIEW
AP43808
LEFT FRONT

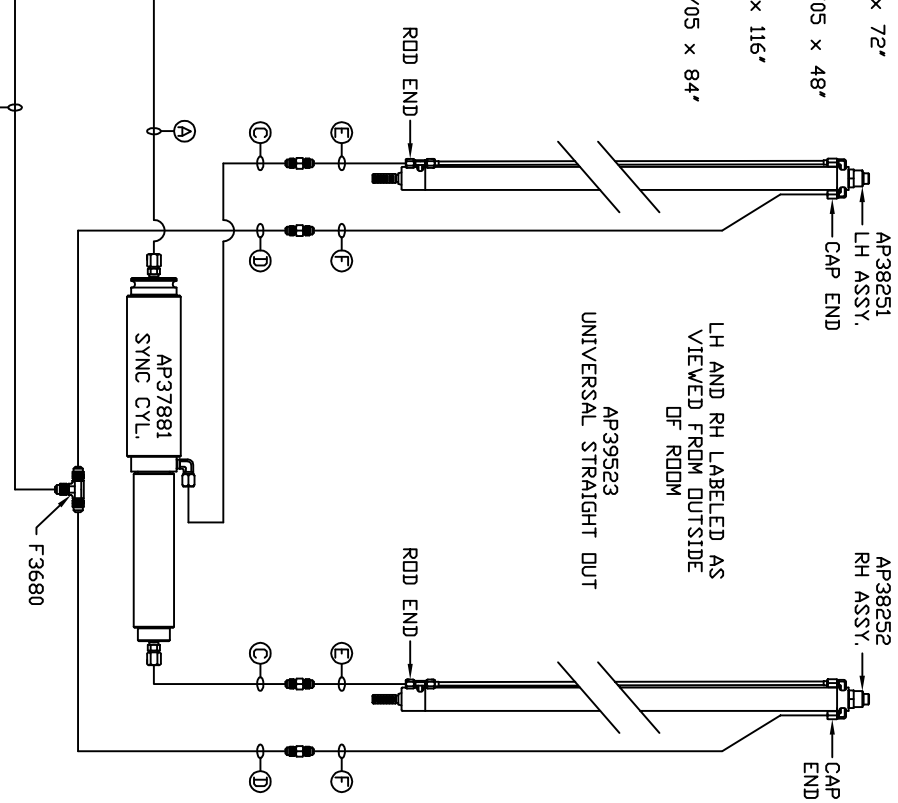


- Ⓐ AP6116 HOSE ASSY .25" x 240"
ROD END - ALWAYS PRESSURIZED
- Ⓑ AP7385 HOSE ASSY .25" x 252"
CAP END
- Ⓒ AP24636 HOSE ASSY HWH02HP x 84"
ROD END - ALWAYS PRESSURIZED
HOSES MUST BE HIGH PRESSURE
HOSES OF EQUAL LENGTH AND DIAMETER
- Ⓓ AP24639 HOSE ASSY HWH02HP x 96"
CAP END - HOSES MUST MAINTAIN
EQUAL LENGTH AND DIAMETER
- Ⓔ AP24632 HOSE ASSY HWH02HP x 48"
ROD END - ALWAYS PRESSURIZED -
MUST BE HIGH PRESSURE HOSES OF
EQUAL LENGTH AND DIAMETER
- Ⓕ AP24818 HOSE ASSY HWH02HP x 86"
CAP END - MUST MAINTAIN EQUAL
LENGTH AND DIAMETER
- Ⓖ AP4159 HOSE ASSY .25" x 72"
ROD END
- Ⓗ AP46313 HOSE ASSY .25/05 x 48"
CAP END
- Ⓘ AP5384 HOSE ASSY .25" x 116"
ROD END
- Ⓣ AP45249 HOSE ASSY .25/05 x 84"
CAP END



SIDE VIEW PUMP/MANIFOLD-AP44525
LOCATION AND ORIENTATION OF
PUMP/MANIFOLD ASSEMBLY WILL
DIFFER DEPENDING UPON O.E.M.

NOTE: HOSES Ⓒ AND Ⓔ ARE INCLUDED
WITH THE RODM EXTENSION MECHANISM



NOTE: INSTALLATION MUST CONFORM TO GOOD SHOP PRACTICES, SAE STANDARDS, RVIA STANDARDS, AND OTHER APPLICABLE STANDARDS.

JACK KIT: AP46667 (2 USED)
CONTROL PACKAGE: AP46668

NO.	DATE	REVISION

HWH 1-80 EXIT 267 SOUTH
 RT 1 MOSCOW, IOWA 52760
 SCALE 1:6 DATE 24MAY10 DRAWN BY
 HYD CONN DIAGRAM
 ELITE TRAILER DRAWING NUMBER
 MP70275