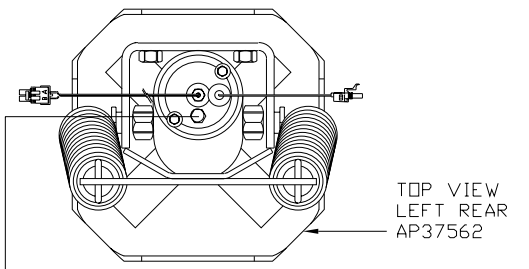
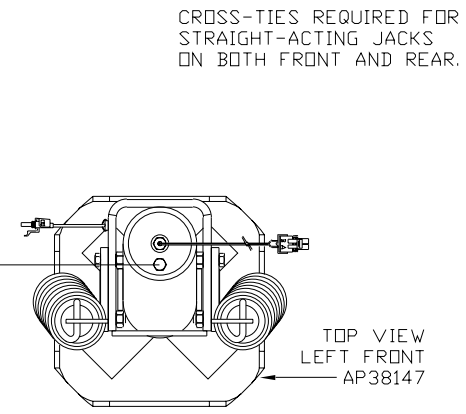
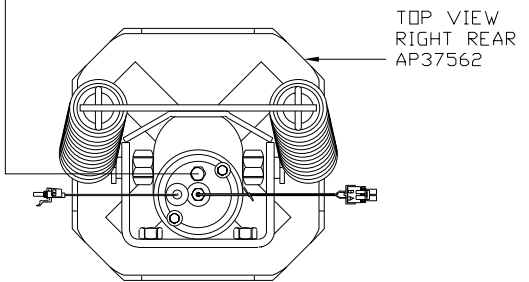
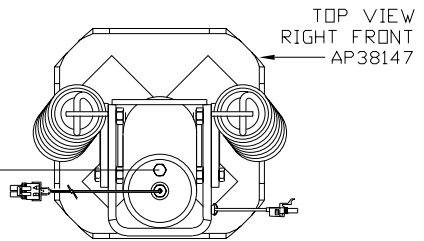
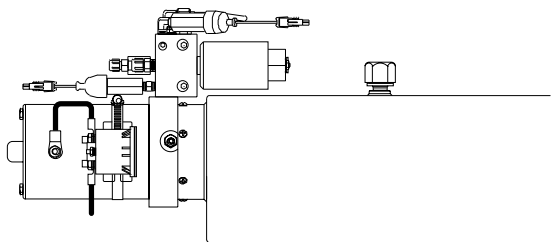
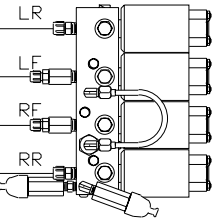


ORIENTATION

← FRONT



TOP VIEW
MANIFOLD



SIDE VIEW PUMP/MANIFOLD-AP33805

LOCATION AND ORIENTATION OF
PUMP/MANIFOLD ASSEMBLY MAY
DIFFER DEPENDING UPON O.E.M.

CROSS-TIES REQUIRED FOR
STRAIGHT-ACTING JACKS
ON BOTH FRONT AND REAR.

- Ⓐ AP6638 HOSE ASSY .313" x 300"
- Ⓑ AP4161 HOSE ASSY .25" x 120"
- Ⓒ AP5965 HOSE ASSY .25" x 180"
- Ⓓ AP8381 HOSE ASSY .313" x 360"

NOTE: INSTALLATION MUST CONFORM TO GOOD SHOP PRACTICES, SAE STANDARDS, RVIA STANDARDS, AND OTHER APPLICABLE STANDARDS.

LEVELING SYSTEM: AP47513

NO.	DATE	REVISION
THE INFORMATION DISCLOSED ON THIS DRAWING IS CONFIDENTIAL AND MUST NOT BE DISCLOSED OR USED IN ANY MANNER WHICH WILL BE DETRIMENTAL TO THE HWH CORPORATION		

HWH			I-80 EXIT 267 SOUTH RT 1 MOSCOW, IOWA 52760		
SCALE 1:6	DATE 09NOV10	DRAWN BY .			
HYD CONN DIAGRAM					
GERLING				DRAWING NUMBER MP70334	