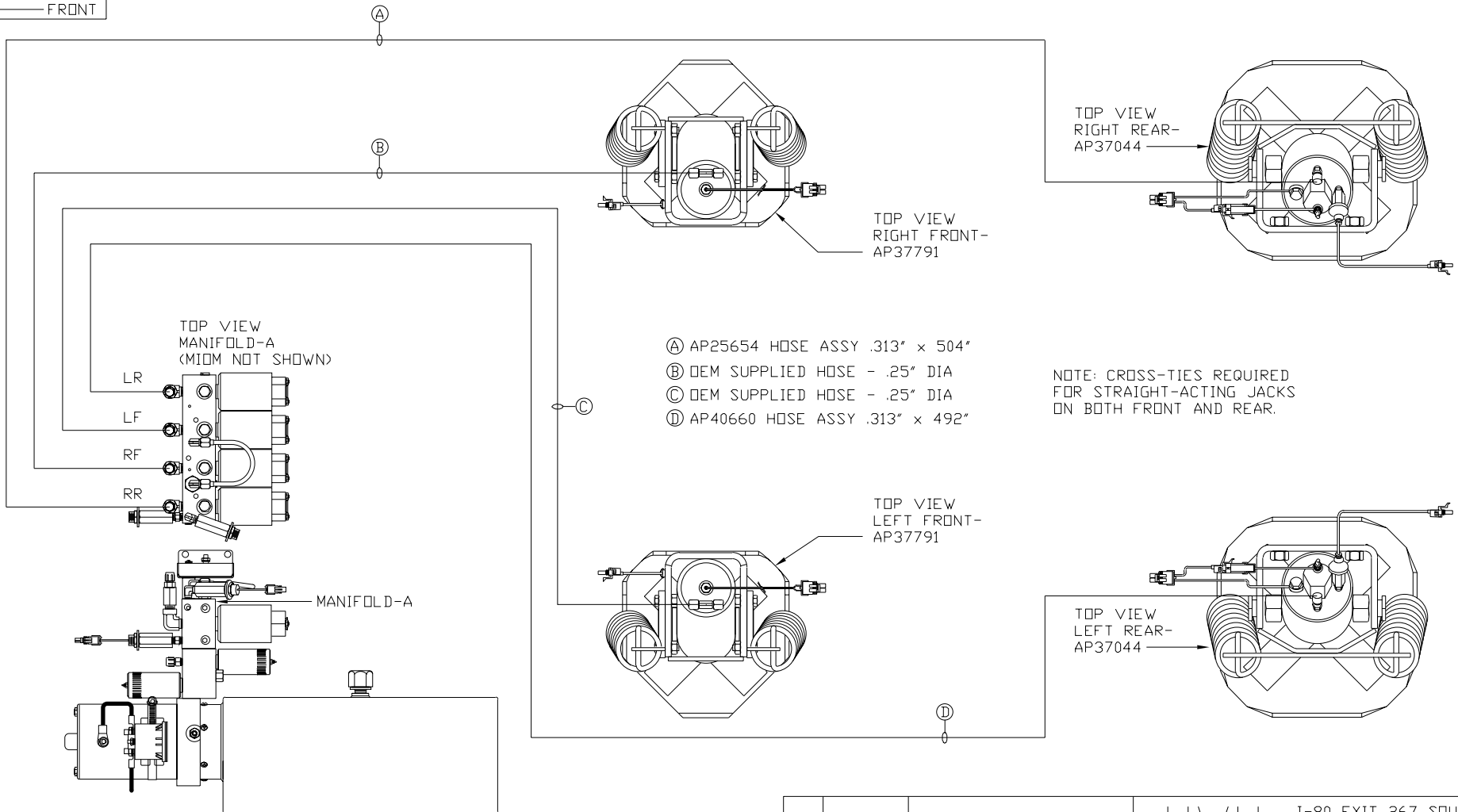


ORIENTATION

← FRONT



- Ⓐ AP25654 HOSE ASSY .313" x 504"
- Ⓑ DEM SUPPLIED HOSE - .25" DIA
- Ⓒ DEM SUPPLIED HOSE - .25" DIA
- Ⓓ AP40660 HOSE ASSY .313" x 492"

NOTE: CROSS-TIES REQUIRED FOR STRAIGHT-ACTING JACKS ON BOTH FRONT AND REAR.

SIDE VIEW PUMP/MANIFOLD-AP48039

LOCATION AND ORIENTATION OF PUMP/MANIFOLD ASSEMBLY WILL DIFFER DEPENDING UPON D.E.M.

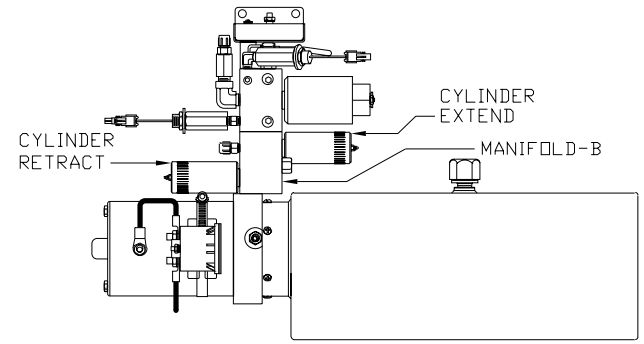
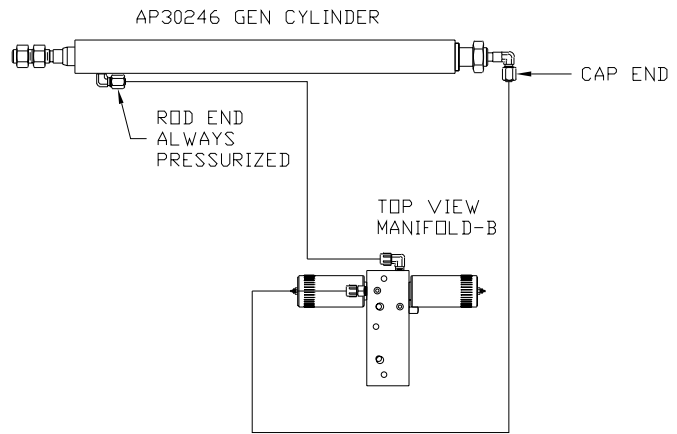
NOTE: INSTALLATION MUST CONFORM TO GOOD SHOP PRACTICES, SAE STANDARDS, RVIA STANDARDS, AND OTHER APPLICABLE STANDARDS.

LEVELING SYSTEM: AP47950

		HWH		I-80 EXIT 267 SOUTH RT 1 MOSCOW, IOWA 52760	
		SCALE 1:6	DATE 25JAN11	DRAWN BY .	
		HYD CONN DIAGRAM			
		NEWMAR		DRAWING NUMBER MP70345 A/B	
NO.	DATE	REVISION			
THE INFORMATION DISCLOSED ON THIS DRAWING IS CONFIDENTIAL AND MUST NOT BE DISCLOSED OR USED IN ANY MANNER WHICH WILL BE DETRIMENTAL TO THE HWH CORPORATION					

ORIENTATION

← FRONT



LOCATION AND ORIENTATION OF PUMP/MANIFOLD ASSEMBLY WILL DIFFER DEPENDING UPON O.E.M.

NOTE: NEWMAR WILL PURCHASE BULK HOSE AND FITTINGS FROM HWH CORPORATION.

NOTE: INSTALLATION MUST CONFORM TO GOOD SHOP PRACTICES, SAE STANDARDS, RVIA STANDARDS, AND OTHER APPLICABLE STANDARDS.

MP70345 B/B
25 JAN11