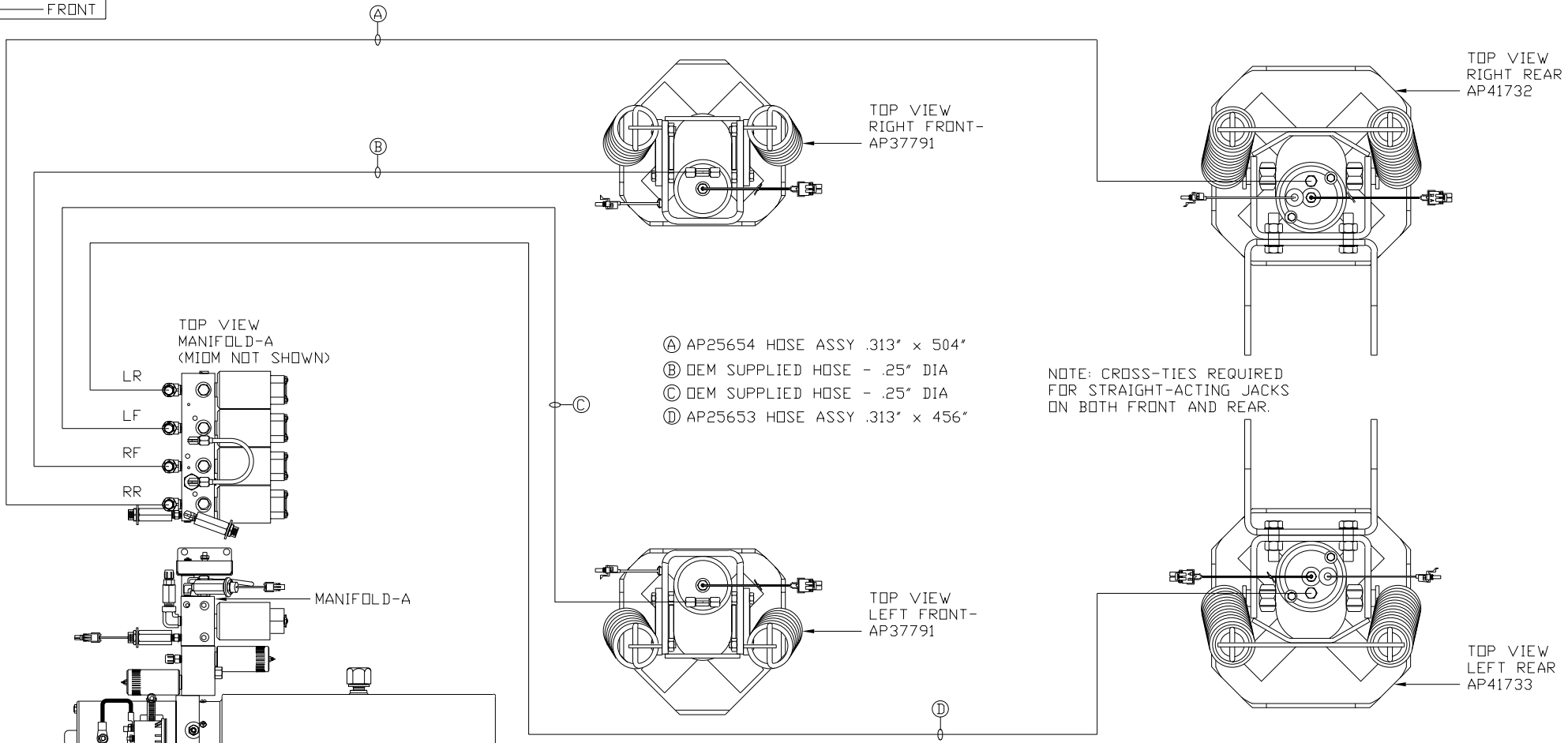
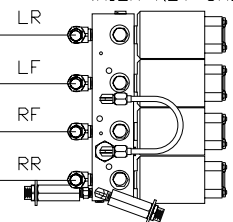


ORIENTATION

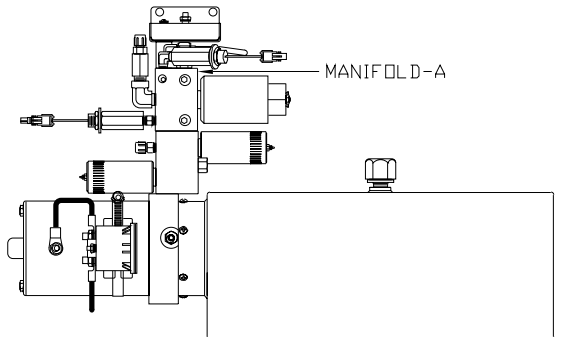
← FRONT



TOP VIEW
MANIFOLD-A
(MIDM NOT SHOWN)



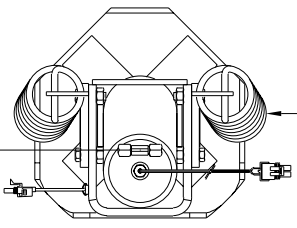
MANIFOLD-A



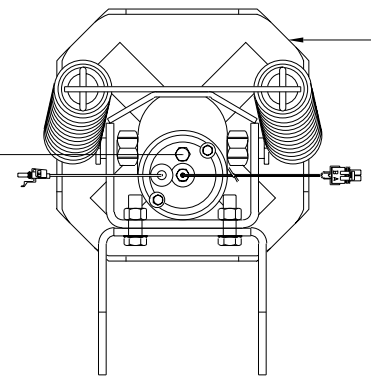
SIDE VIEW PUMP/MANIFOLD-AP48039

LOCATION AND ORIENTATION OF
PUMP/MANIFOLD ASSEMBLY WILL
DIFFER DEPENDING UPON D.E.M.

TOP VIEW
RIGHT FRONT-
AP37791



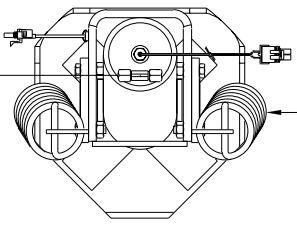
TOP VIEW
RIGHT REAR
AP41732



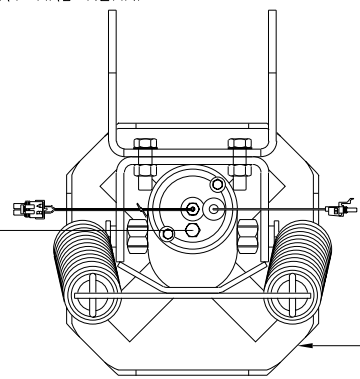
- Ⓐ AP25654 HOSE ASSY .313" x 504"
- Ⓑ DEM SUPPLIED HOSE - .25" DIA
- Ⓒ DEM SUPPLIED HOSE - .25" DIA
- Ⓓ AP25653 HOSE ASSY .313" x 456"

NOTE: CROSS-TIES REQUIRED
FOR STRAIGHT-ACTING JACKS
ON BOTH FRONT AND REAR.

TOP VIEW
LEFT FRONT-
AP37791



TOP VIEW
LEFT REAR
AP41733



NOTE: INSTALLATION MUST CONFORM TO GOOD SHOP PRACTICES, SAE STANDARDS, RVIA STANDARDS, AND OTHER APPLICABLE STANDARDS.

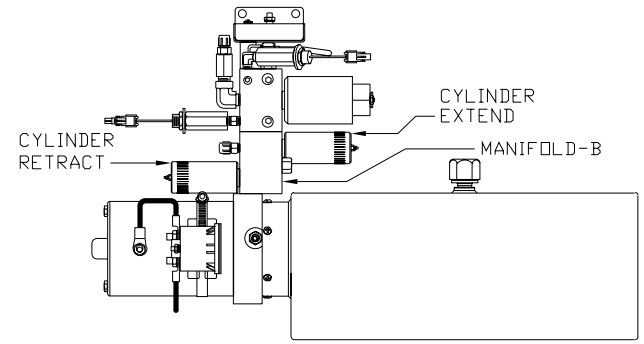
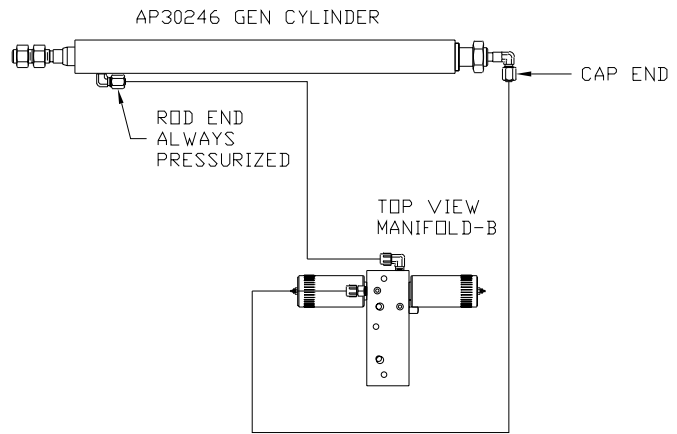
LEVELING SYSTEM: AP47952

NO.	DATE	REVISION
THE INFORMATION DISCLOSED ON THIS DRAWING IS CONFIDENTIAL AND MUST NOT BE DISCLOSED OR USED IN ANY MANNER WHICH WILL BE DETRIMENTAL TO THE HWH CORPORATION		

HWH			I-80 EXIT 267 SOUTH RT 1 MOSCOW, IOWA 52760		
SCALE 1:6	DATE 25JAN11	DRAWN BY .			
HYD CONN DIAGRAM					
NEWMAR K2				DRAWING NUMBER MP70346 A/B	

ORIENTATION

← FRONT



SIDE VIEW PUMP/MANIFOLD-AP48039

LOCATION AND ORIENTATION OF PUMP/MANIFOLD ASSEMBLY WILL DIFFER DEPENDING UPON O.E.M.

NOTE: INSTALLATION MUST CONFORM TO GOOD SHOP PRACTICES, SAE STANDARDS, RVIA STANDARDS, AND OTHER APPLICABLE STANDARDS.

MP70346 B/B
25JAN11