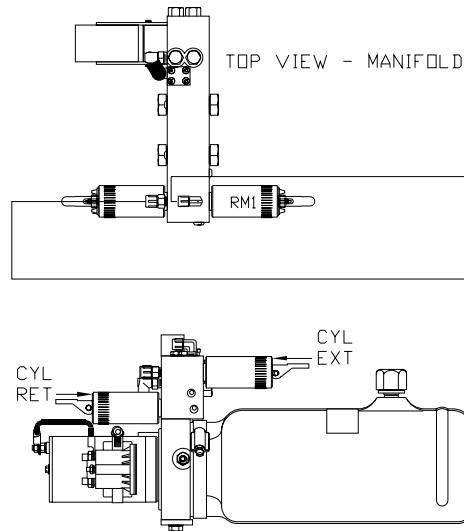


NOTE: HOSES (E) AND (F) ARE INCLUDED WITH THE ROOM EXTENSION MECHANISM

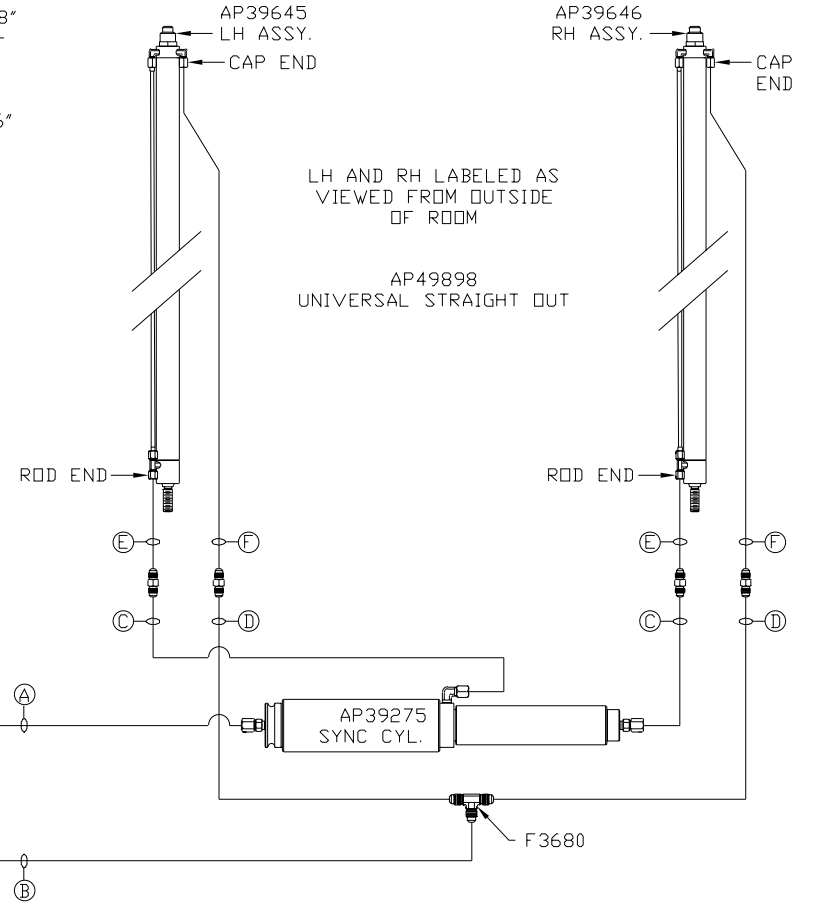
- (A) HOSE ASSY .25" ID  
ROD END - ALWAYS PRESSURIZED
- (B) HOSE ASSY .25" ID  
CAP END
- (C) HOSE ASSY .125" ID OR O3  
ROD END - ALWAYS PRESSURIZED  
HOSES MUST MAINTAIN EQUAL  
LENGTH AND DIAMETER
- (D) HOSE ASSY .25" ID  
CAP END - HOSES MUST MAINTAIN  
EQUAL LENGTH AND DIAMETER

- (E) AP24632 HOSE ASSY HWH02HP x 48"  
ROD END - ALWAYS PRESSURIZED -  
HOSES MUST MAINTAIN EQUAL  
LENGTH AND DIAMETER
- (F) AP24818 HOSE ASSY HWH02HP x 86"  
CAP END - MUST MAINTAIN EQUAL  
LENGTH AND DIAMETER



SIDE VIEW PUMP/MANIFOLD-AP44522

LOCATION AND ORIENTATION OF  
PUMP/MANIFOLD ASSEMBLY WILL  
DIFFER DEPENDING UPON O.E.M.



LH AND RH LABELED AS  
VIEWED FROM OUTSIDE  
OF ROOM  
  
AP49898  
UNIVERSAL STRAIGHT OUT

NOTE: INSTALLATION MUST CONFORM TO GOOD SHOP PRACTICES, SAE STANDARDS, RVIA STANDARDS, AND OTHER APPLICABLE STANDARDS.

CONTROL PACKAGE: AP49896

		HWH		I-80 EXIT 267 SOUTH RT 1 MOSCOW, IOWA 52760	
		SCALE 1:6	DATE 18MAY12	DRAWN BY .	
		HYD CONN DIAGRAM			
		MORRISON VIP		DRAWING NUMBER MP70535	
NO.	DATE	REVISION			
THE INFORMATION DISCLOSED ON THIS DRAWING IS CONFIDENTIAL AND MUST NOT BE DISCLOSED OR USED IN ANY MANNER WHICH WILL BE DETRIMENTAL TO THE HWH CORPORATION					