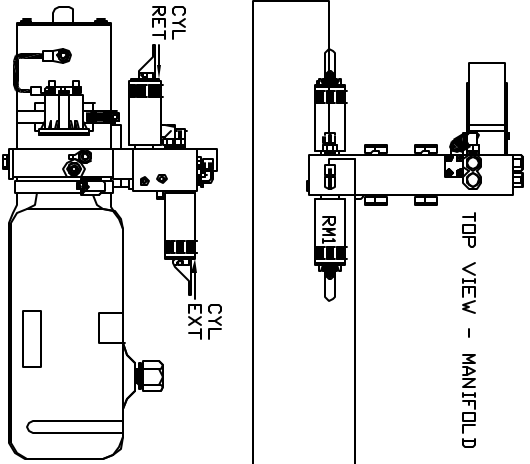


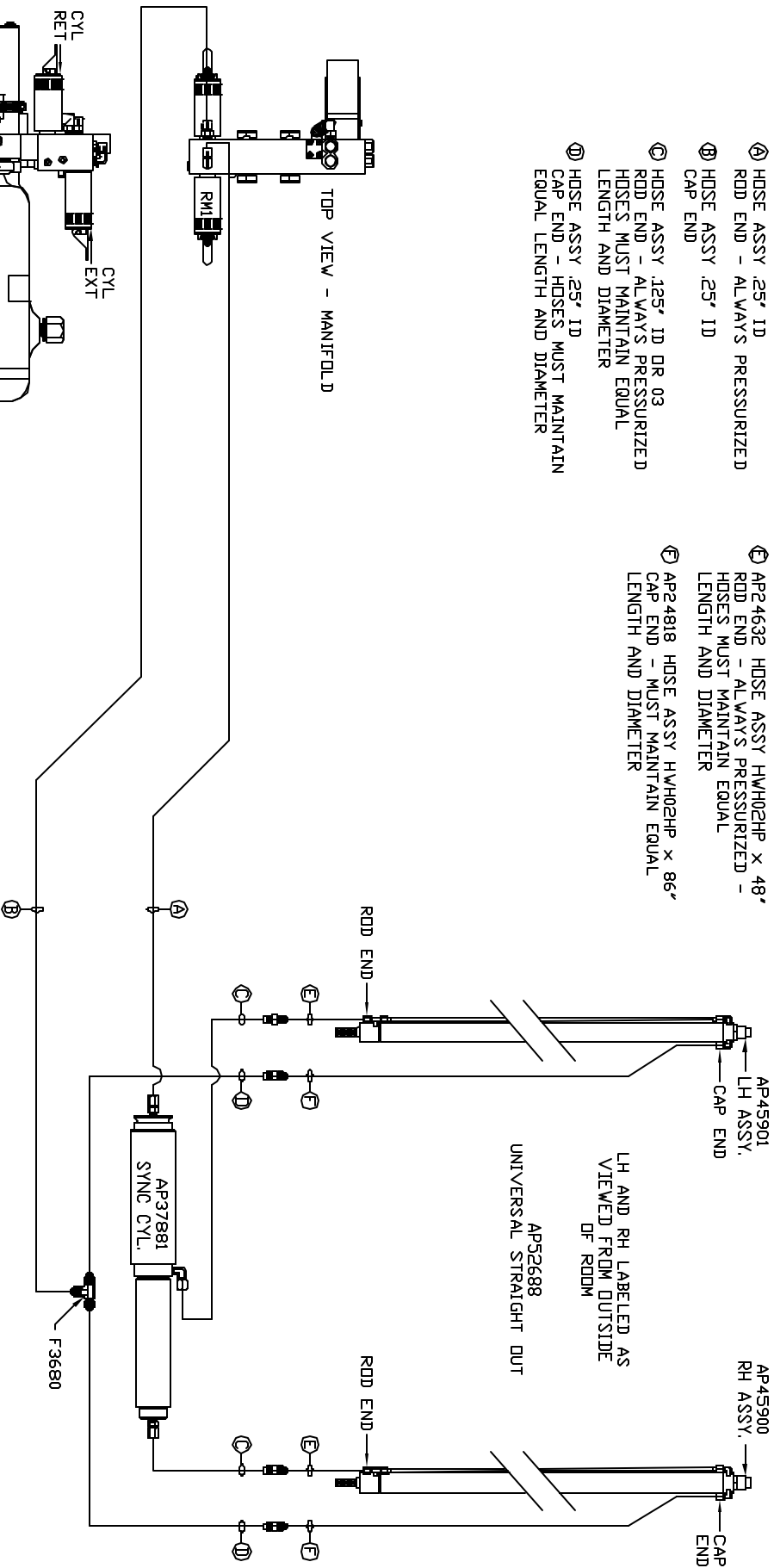
NOTE: HOSES ③ AND ④ ARE INCLUDED WITH THE ROOM EXTENSION MECHANISM

- ① HOSE ASSY .25" ID
ROD END - ALWAYS PRESSURIZED
- ② HOSE ASSY .25" ID
CAP END
- ③ HOSE ASSY .125" ID DR 03
ROD END - ALWAYS PRESSURIZED
HOSES MUST MAINTAIN EQUAL LENGTH AND DIAMETER
- ④ HOSE ASSY .25" ID
CAP END - HOSES MUST MAINTAIN EQUAL LENGTH AND DIAMETER
- ⑤ AP24632 HOSE ASSY HWH02HP X 48"
ROD END - ALWAYS PRESSURIZED - HOSES MUST MAINTAIN EQUAL LENGTH AND DIAMETER
- ⑥ AP24818 HOSE ASSY HWH02HP X 86"
CAP END - MUST MAINTAIN EQUAL LENGTH AND DIAMETER

TOP VIEW - MANIFOLD



SIDE VIEW PUMP/MANIFOLD D-AP 45790
LOCATION AND ORIENTATION OF PUMP/MANIFOLD ASSEMBLY WILL DIFFER DEPENDING UPON D.E.M.



NOTE: INSTALLATION MUST CONFORM TO GOOD SHOP PRACTICES, SAE STANDARDS, RVIA STANDARDS, AND OTHER APPLICABLE STANDARDS.

CONTROL PACKAGE: AP52684

NO.	DATE	REVISION

THE INFORMATION DISCLOSED IN THIS DRAWING IS CONFIDENTIAL AND MUST NOT BE DISCLOSED OR USED IN ANY MANNER WHICH WILL BE DETRIMENTAL TO THE IAH CORPORATION

HWH 1-80 EXIT 267 SOUTH
 RT 1 MOSCOV, IOWA 52760
 SCALE 1:6 DATE 11DEC13 DRAWN BY .
HYD CONN DIAGRAM
JCL ANDRADE DRAWING NUMBER MP70739