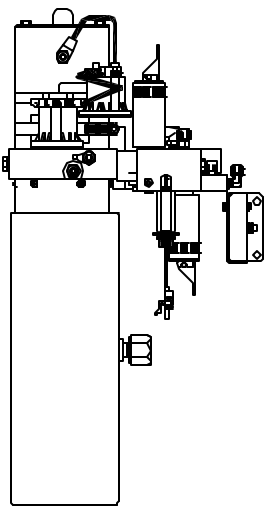
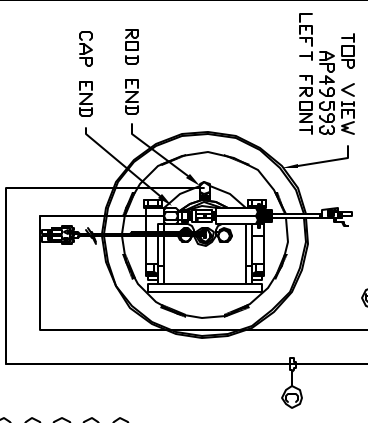
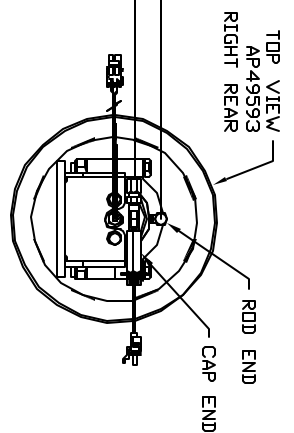
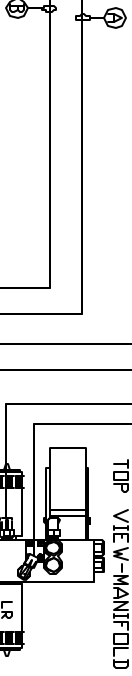
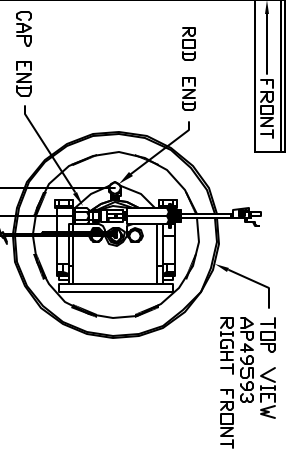
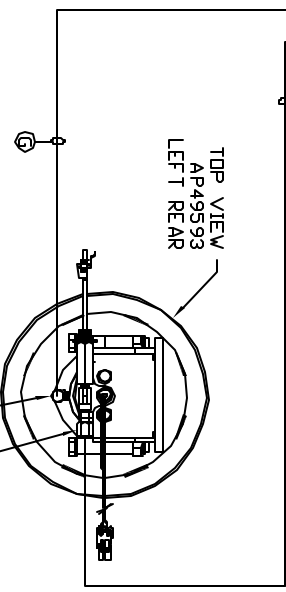


ORIENTATION
FRONT



SIDE VIEW PUMP/MANIFOLD-AP53207
LOCATION AND ORIENTATION OF
PUMP/MANIFOLD ASSEMBLY WILL
DIFFER DEPENDING UPON DEM.



- Ⓐ AP4062 HOSE ASSY 04 x 132' - RF RODD END
- Ⓑ AP44283 HOSE ASSY .25/05 x 144' - RF CAP END
- Ⓒ AP4161 HOSE ASSY 04 x 120' - LF RODD END
- Ⓓ AP44863 HOSE ASSY .25/05 x 132' - LF CAP END
- Ⓔ AP5924 HOSE ASSY 04 x 228' - RR RODD END
- Ⓕ AP43717 HOSE ASSY .25/05 x 240' - RR CAP END
- Ⓖ AP4061 HOSE ASSY 04 x 216' - LR RODD END
- Ⓗ AP51468 HOSE ASSY .25/05 x 232' - LR CAP END

NOTE: INSTALLATION MUST CONFORM TO GOOD SHIP PRACTICES, SAE STANDARDS, RVIA STANDARDS, AND OTHER APPLICABLE STANDARDS.

LEVELING SYSTEM: AP54560

NO.	DATE	REVISION

HWI	1-80 EXT 267 SOUTH
DATE 15JAN15	RT 1 MOSCOV, IOWA 52760
SCALE 1:6	DRAWN BY .
HYD CONN DIAGRAM	
PEAK	DRAWING NUMBER MP70841

THE INFORMATION DISCLOSED IN THIS DRAWING IS CONFIDENTIAL AND MUST NOT BE DISCLOSED OR USED IN ANY MANNER WHICH WILL BE DETRIMENTAL TO THE IHH CORPORATION