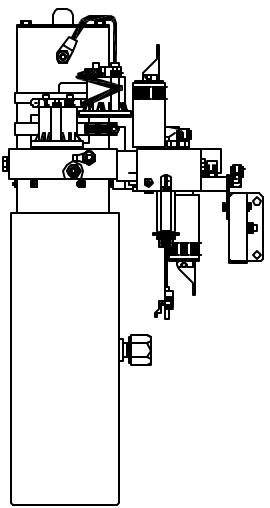
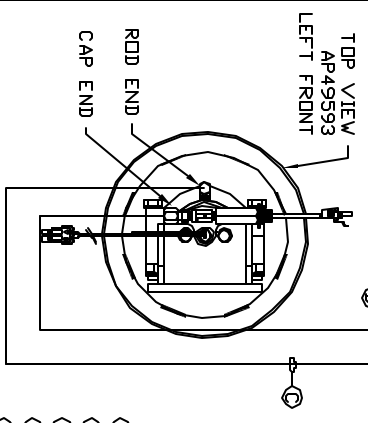
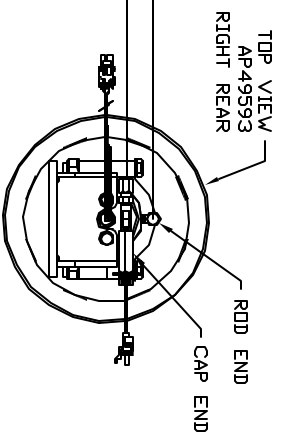
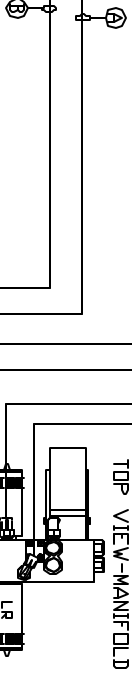
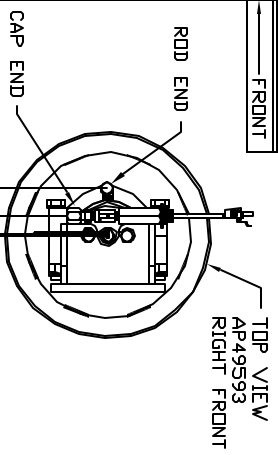
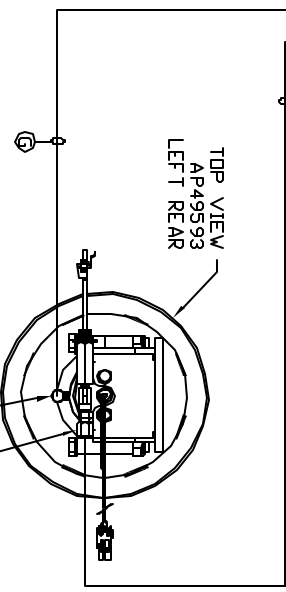


ORIENTATION  
FRONT



SIDE VIEW PUMP/MANIFOLD-AP53207  
LOCATION AND ORIENTATION OF  
PUMP/MANIFOLD ASSEMBLY WILL  
DIFFER DEPENDING UPON DEM.



- Ⓐ AP5924 HOSE ASSY 04 x 228" - RF RODD END
- Ⓑ AP43717 HOSE ASSY .25/05 x 240" - RF CAP END
- Ⓒ AP4061 HOSE ASSY 04 x 216" - LF RODD END
- Ⓓ AP51468 HOSE ASSY .25/05 x 232" - LF CAP END
- Ⓔ AP4062 HOSE ASSY 04 x 132" - RR RODD END
- Ⓕ AP44283 HOSE ASSY .25/05 x 144" - RR CAP END
- Ⓖ AP4161 HOSE ASSY 04 x 120" - LR RODD END
- Ⓗ AP44863 HOSE ASSY .25/05 x 132" - LR CAP END

NOTE: INSTALLATION MUST CONFORM TO GOOD SHIP PRACTICES, SAE STANDARDS, RVIA STANDARDS, AND OTHER APPLICABLE STANDARDS.

LEVELING SYSTEM AP54562

NO.	DATE	REVISION

THE INFORMATION DISCLOSED IN THIS DRAWING IS CONFIDENTIAL AND MUST NOT BE DISCLOSED OR USED IN ANY MANNER WHICH WILL BE DETRIMENTAL TO THE IHH CORPORATION

HWH 1-80 EXT 267 SOUTH  
RT 1 MOSCOW, IOWA 52760

SCALE 1:6 DATE 15JAN15 DRAWN BY .

HYD CONN DIAGRAM

PEAK DRAWING NUMBER MP70842