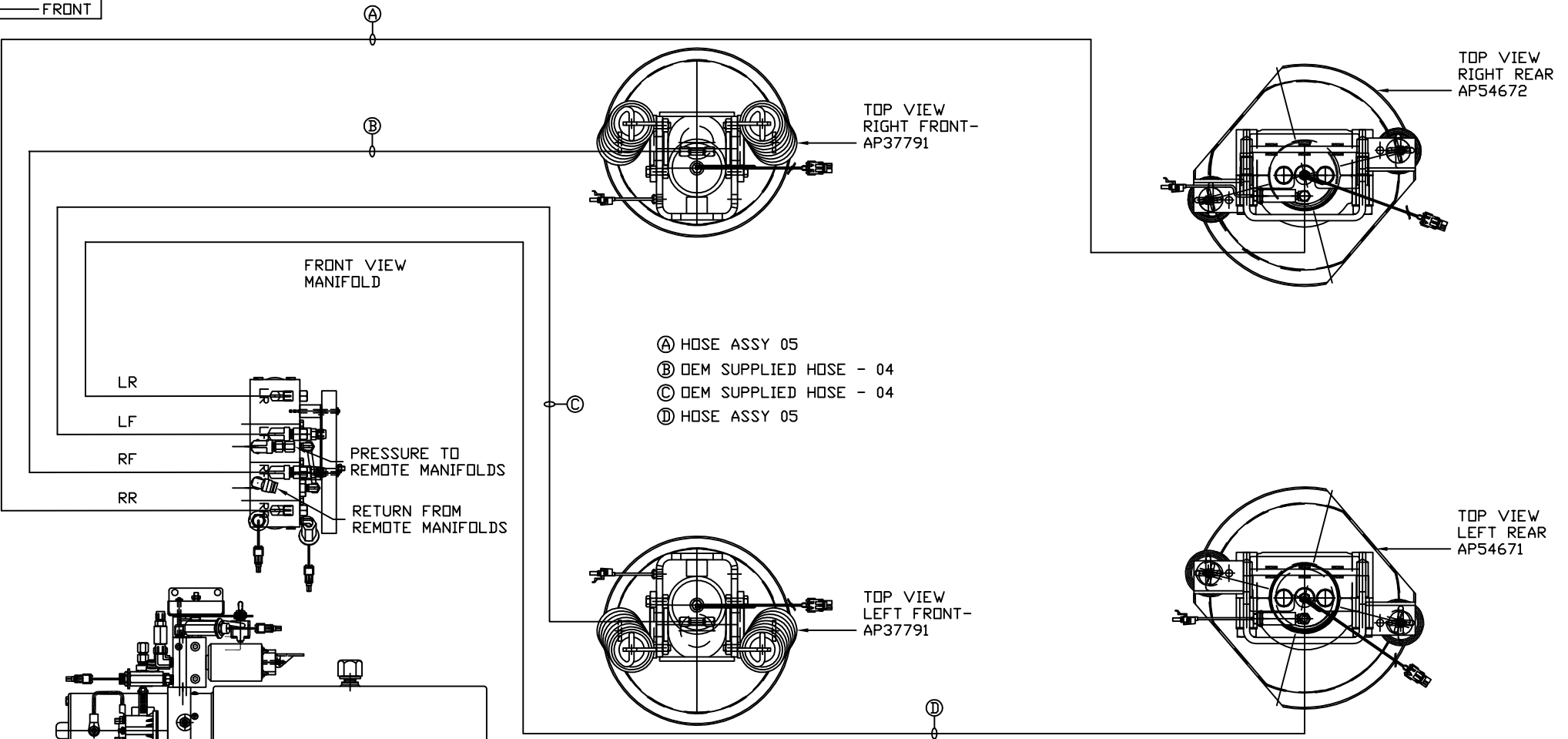


ORIENTATION
← FRONT



FRONT VIEW
MANIFOLD

LR
LF
RF
RR

PRESSURE TO
REMOTE MANIFOLDS
RETURN FROM
REMOTE MANIFOLDS

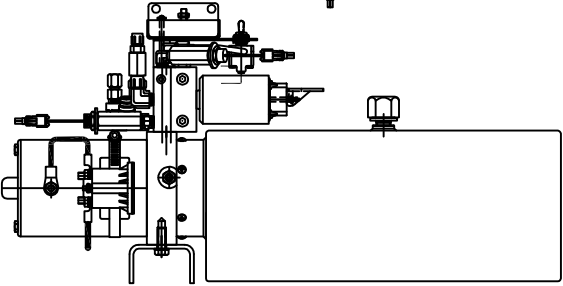
TOP VIEW
RIGHT FRONT-
AP37791

TOP VIEW
RIGHT REAR
AP54672

- Ⓐ HOSE ASSY 05
- Ⓑ DEM SUPPLIED HOSE - 04
- Ⓒ DEM SUPPLIED HOSE - 04
- Ⓓ HOSE ASSY 05

TOP VIEW
LEFT FRONT-
AP37791

TOP VIEW
LEFT REAR
AP54671



SIDE VIEW PUMP/MANIFOLD-AP53420

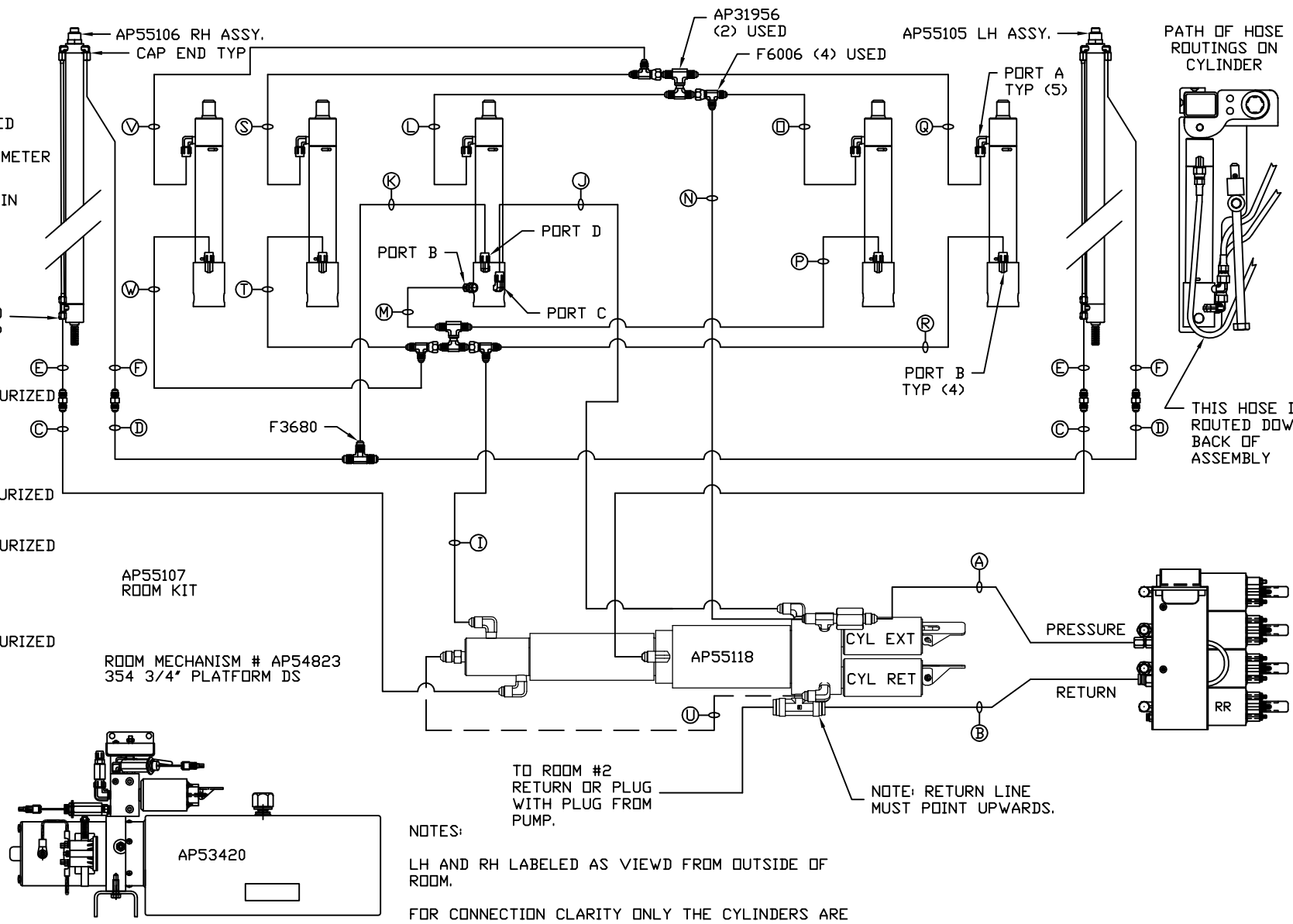
LOCATION AND ORIENTATION OF
PUMP/MANIFOLD ASSEMBLY WILL
DIFFER DEPENDING UPON D.E.M.

NOTE: INSTALLATION MUST CONFORM TO GOOD SHOP PRACTICES, SAE STANDARDS, RVIA STANDARDS, AND OTHER APPLICABLE STANDARDS.

LEVELING SYSTEM: AP54891

		HWH I-80 EXIT 267 SOUTH RT 1 MOSCOW, IOWA 52760	
		SCALE 1:6	DATE 02DEC15
		DRAWN BY .	
		HYD CONN DIAGRAM	
NO.	DATE	REVISION	
		THE INFORMATION DISCLOSED ON THIS DRAWING IS CONFIDENTIAL AND MUST NOT BE DISCLOSED OR USED IN ANY MANNER WHICH WILL BE DETRIMENTAL TO THE HWH CORPORATION	
		NEWMAR	DRAWING NUMBER MP70921 A/B

- Ⓐ AP HOSE ASSY 04 PRESSURE
- Ⓑ P .375" OD NYLON TUBING RETURN
- Ⓒ AP HOSE ASSY 03 ROD END - ALWAYS PRESSURIZED HOSES MUST BE HIGH PRESSURE AND OF EQUAL LENGTH AND DIAMETER
- Ⓓ AP HOSE ASSY 04 CAP END - HOSES MUST MAINTAIN EQUAL LENGTH AND DIAMETER
- Ⓘ AP HOSE ASSY 04 CAP END (LEFT) WAS AP4060
- Ⓝ AP HOSE ASSY 04 CAP END (ROOM)
- Ⓚ AP HOSE ASSY 03 CAP END (ROOM)
- Ⓛ AP HOSE ASSY 03 ROD END (LEFT) ALWAYS PRESSURIZED
- Ⓜ AP HOSE ASSY 04 CAP END (LEFT)
- Ⓝ AP HOSE ASSY 03 ROD END (LEFT) ALWAYS PRESSURIZED
- Ⓞ AP HOSE ASSY ROD END (LEFT) ALWAYS PRESSURIZED
- Ⓟ AP HOSE ASSY 04 CAP END (LEFT)
- Ⓠ AP HOSE ASSY 03 ROD END (LEFT) ALWAYS PRESSURIZED
- Ⓡ AP HOSE ASSY 04 CAP END (LEFT)
- Ⓢ AP HOSE ASSY 03 ROD END (LEFT) ALWAYS PRESSURIZED
- Ⓣ AP HOSE ASSY 04 CAP END (LEFT)
- Ⓤ AP HOSE ASSY 03 ROD END (LEFT) ALWAYS PRESSURIZED
- Ⓡ AP HOSE ASSY 04 CAP END (LEFT)



NOTE: INSTALLATION MUST CONFORM TO GOOD SHOP PRACTICES, SAE STANDARDS, RVIA STANDARDS, AND OTHER APPLICABLE STANDARDS.

NOTES:
 LH AND RH LABELED AS VIEWD FROM OUTSIDE OF ROOM.
 FOR CONNECTION CLARITY ONLY THE CYLINDERS ARE SHOWN.

HOSES E, F, AND U ARE INCLUDED WITH THE ROOM EXTENSION MECHANISM.