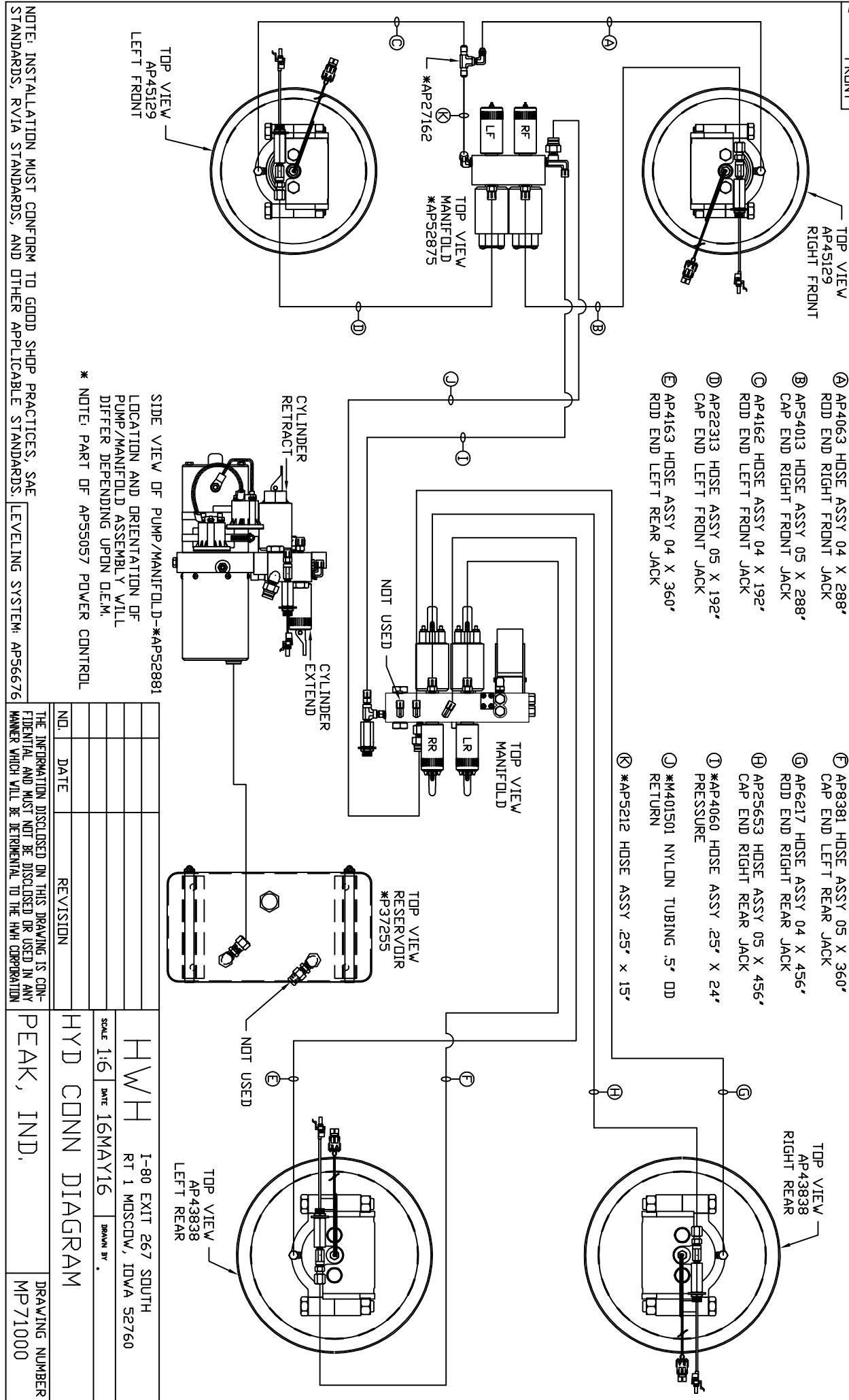


ORIENTATION
FRONT



- Ⓐ AP4063 HOSE ASSY 04 X 288" RDD END RIGHT FRONT JACK
- Ⓑ AP54013 HOSE ASSY 05 X 288" CAP END RIGHT FRONT JACK
- Ⓒ AP4162 HOSE ASSY 04 X 192" RDD END LEFT FRONT JACK
- Ⓓ AP22313 HOSE ASSY 05 X 192" CAP END LEFT FRONT JACK
- Ⓔ AP4163 HOSE ASSY 04 X 360" RDD END LEFT REAR JACK

- Ⓕ AP8381 HOSE ASSY 05 X 360" CAP END LEFT REAR JACK
- Ⓖ AP6217 HOSE ASSY 04 X 456" RDD END RIGHT REAR JACK
- Ⓗ AP25653 HOSE ASSY 05 X 456" CAP END RIGHT REAR JACK
- Ⓚ *AP4060 HOSE ASSY .25" X 24" PRESSURE
- Ⓛ *M401501 NYLON TUBING .5" OD RETURN
- Ⓜ *AP5212 HOSE ASSY .25" X 15"

SIDE VIEW OF PUMP/MANIFOLD D-*AP52881
LOCATION AND ORIENTATION OF PUMP/MANIFOLD ASSEMBLY WILL DIFFER DEPENDING UPON OEM.
* NOTE: PART OF AP55057 POWER CONTROL

NOTE: INSTALLATION MUST CONFORM TO GOOD SHOP PRACTICES, SAE STANDARDS, RVIA STANDARDS, AND OTHER APPLICABLE STANDARDS.

LEVELING SYSTEM: AP56676

NO.	DATE	REVISION

THE INFORMATION DISCLOSED ON THIS DRAWING IS CONFIDENTIAL AND MUST NOT BE DISCLOSED OR USED IN ANY MANNER WHICH WILL BE DETRIMENTAL TO THE HWH CORPORATION

HWH 1-80 EXIT 267 SOUTH
RT 1 MOSCOW, IOWA 52760

SCALE 1:6 DATE 16MAY16 DRAWN BY .

HYD CONN DIAGRAM

PEAK, IND.

DRAWING NUMBER MP71000