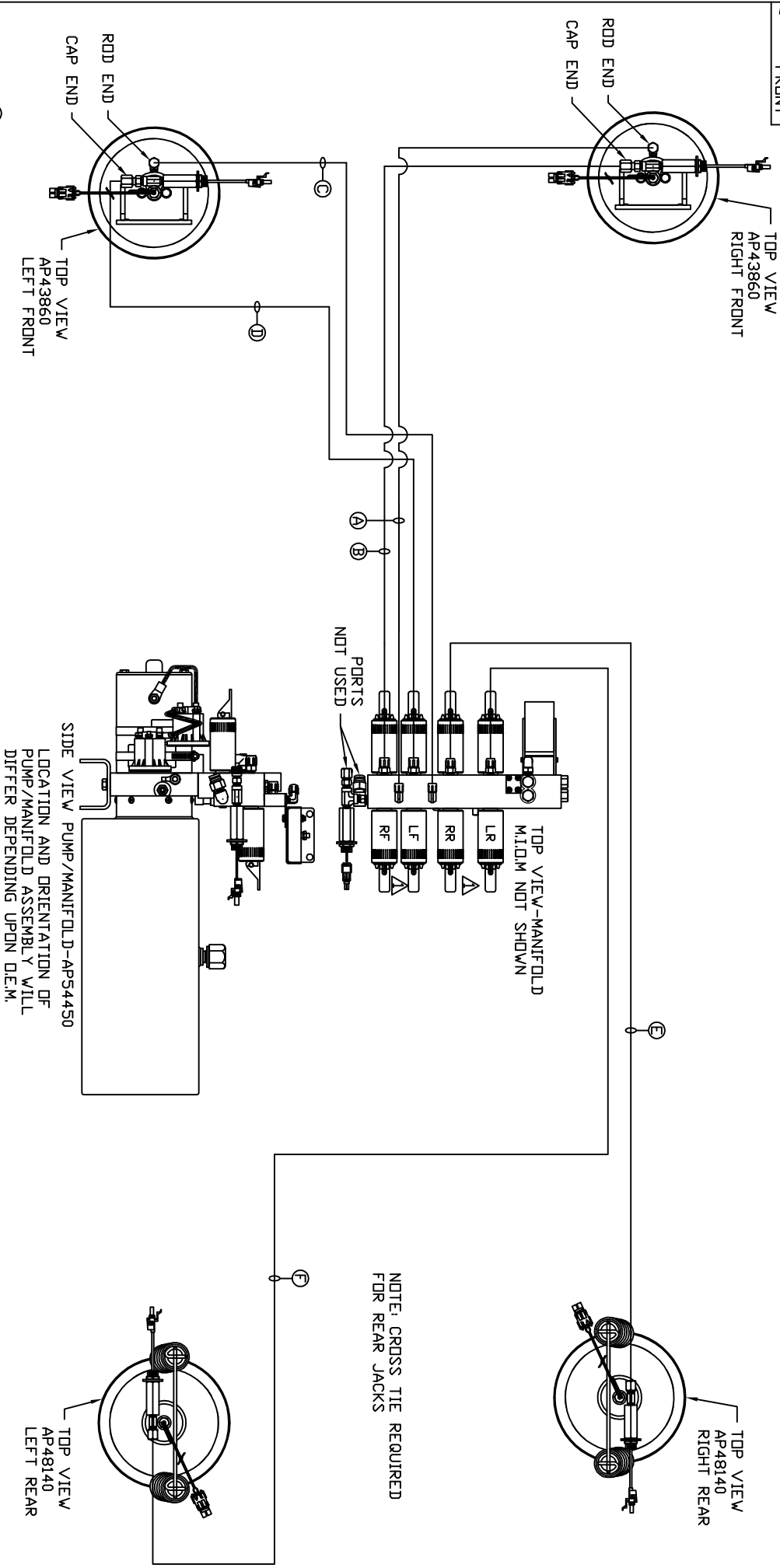


ORIENTATION  
FRONT



- Ⓐ AP7385 HOSE ASSY 04 x 252' - RF RDD END
- Ⓑ AP42093 HOSE ASSY 05 x 276' - RF CAP END
- Ⓒ AP4162 HOSE ASSY 04 x 192' - LF RDD END
- Ⓓ AP22078 HOSE ASSY 05 x 204' - LF CAP END
- Ⓔ AP29767 HOSE ASSY 04 x 600' - RR CAP END
- Ⓕ AP6218 HOSE ASSY 04 x 480' - LR CAP END

NOTE: INSTALLATION MUST CONFORM TO GOOD SHOP PRACTICES, SAE STANDARDS, RVIA STANDARDS, AND OTHER APPLICABLE STANDARDS.

LEVELING SYSTEM: AP54171

NO.	DATE	REVISION
1	18AUG16	SWAPPED FRONT, REAR

THE INFORMATION DISCLOSED ON THIS DRAWING IS CONFIDENTIAL AND MUST NOT BE DISCLOSED OR USED IN ANY MANNER WHICH WILL BE DETRIMENTAL TO THE HWH CORPORATION

SCALE 1:6 DATE 01JUN16 DRAWN BY .

HWH 1-80 EXIT 267 SOUTH  
RT 1 MOSCOW, IOWA 52760

HYD CONN DIAGRAM

TRANSPORT DESIGNS DRAWING NUMBER  
MP71003